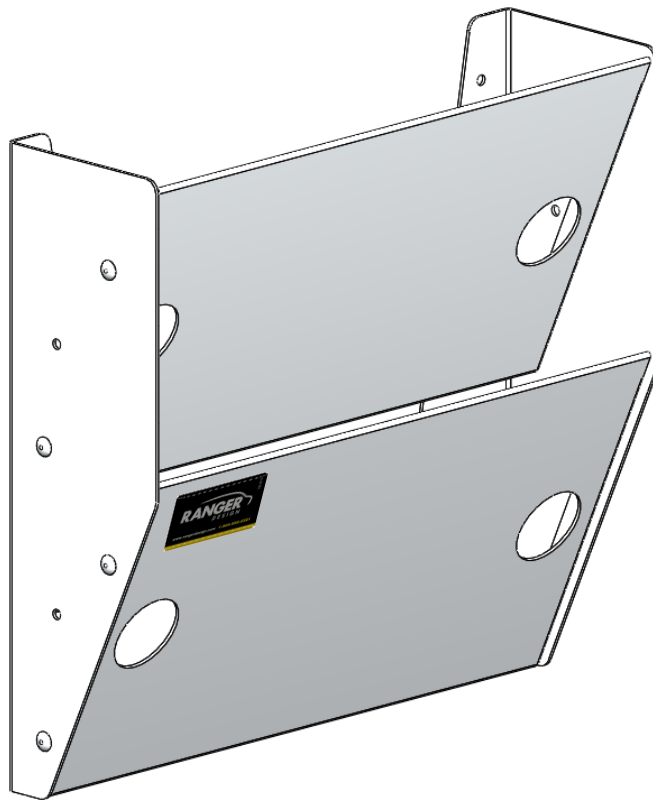


# INSTALLATION GUIDE

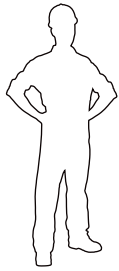


## 6061 PAPER HOLDER

Accessories (Aluminum)



# REQUIRED ITEMS



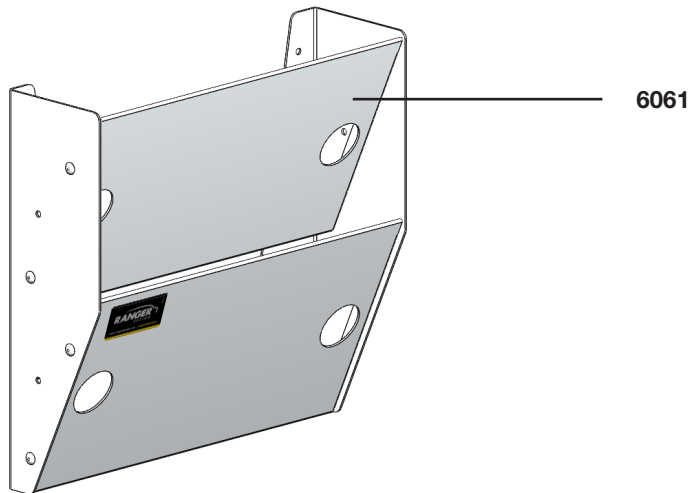
**1**  
**PERSONS**

- Cordless Drill
- Rivet Gun
- Tape Measure
- Marker
- 7/32" Drill Bit
- Knife

## PHASE 1 – ASSEMBLY

### 1.1 SETUP

1.1.1 Unpack components; compare with the bill of materials.



1.1.2 Verify all parts are present.

Item No.	Description	Qty.
6061	Paper holder, extra deep, 2-slot	1
96-6002	Customer Installation Fastener Kit	1

## Installation Fastener Bag



## Hardware Assembly

4x



# 96-202

Closed End Blind Rivet  
3/16" Type #64

4x

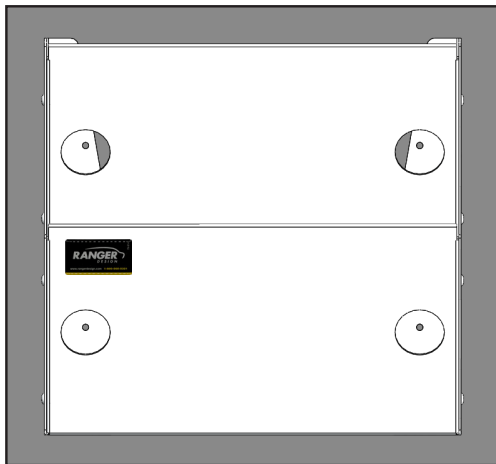


#96-202 Closed End Blind Rivet

# PHASE 2 – INSTALLATION

## 2.1 PAPER HOLDER INSTALLATION

- 2.1.1
- Remove the PVC from all the parts.
  - Mark the rivet holes through the circle openings, then drill the marks.



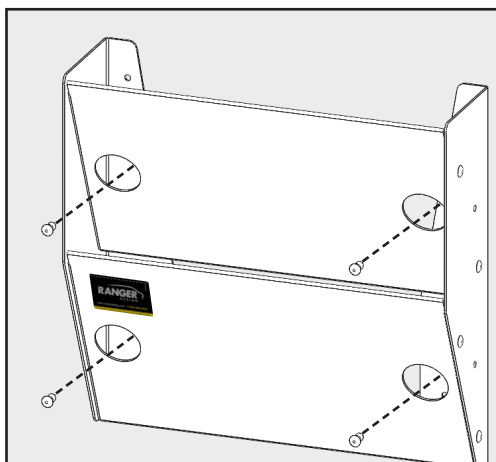
- Place the paper holder against a flat surface.
- Mark the rivet holes through the circle openings then drill them.

**NOTE:** Ensure that there is nothing obstructing the other side of the holes e.g. shelves.

### TOOLS

- Cordless Drill
- Marker
- 7/32" Drill bit

- 2.1.1 Rivet the holes.



### TOOLS

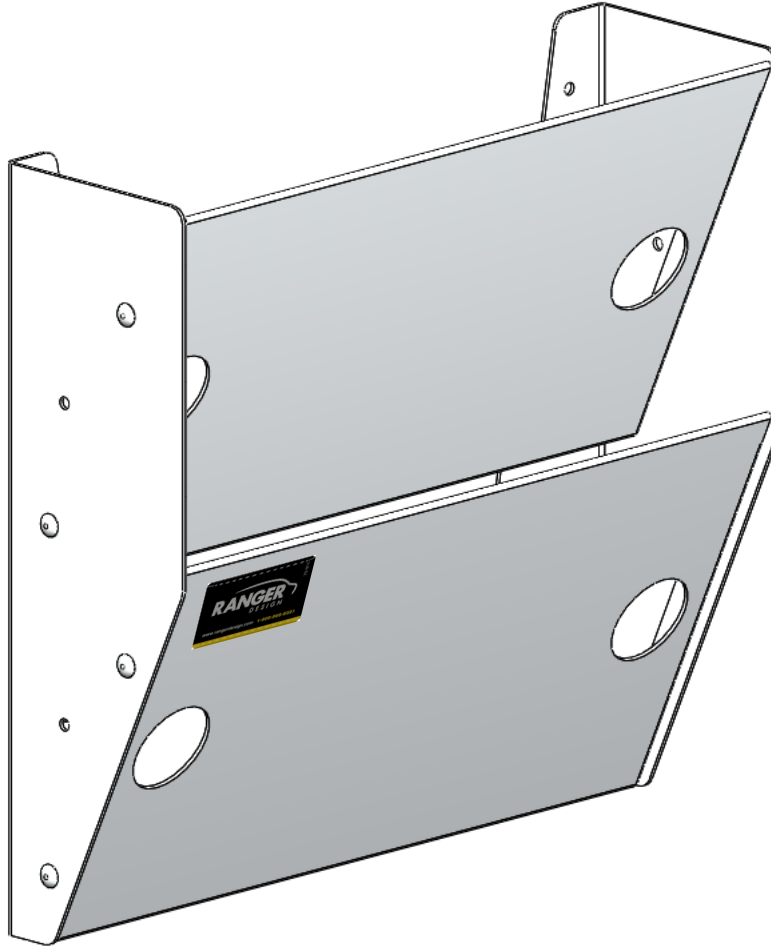
- Rivet Gun

### HARDWARE USED

4x



#96-202 Closed End Blind Rivet



**“You have successfully installed your  
6061 Paper Holder**

**Thank you for doing business with us.”**

For any feedback or suggestions you may have, please contact: [cs@rangerdesign.com](mailto:cs@rangerdesign.com)

