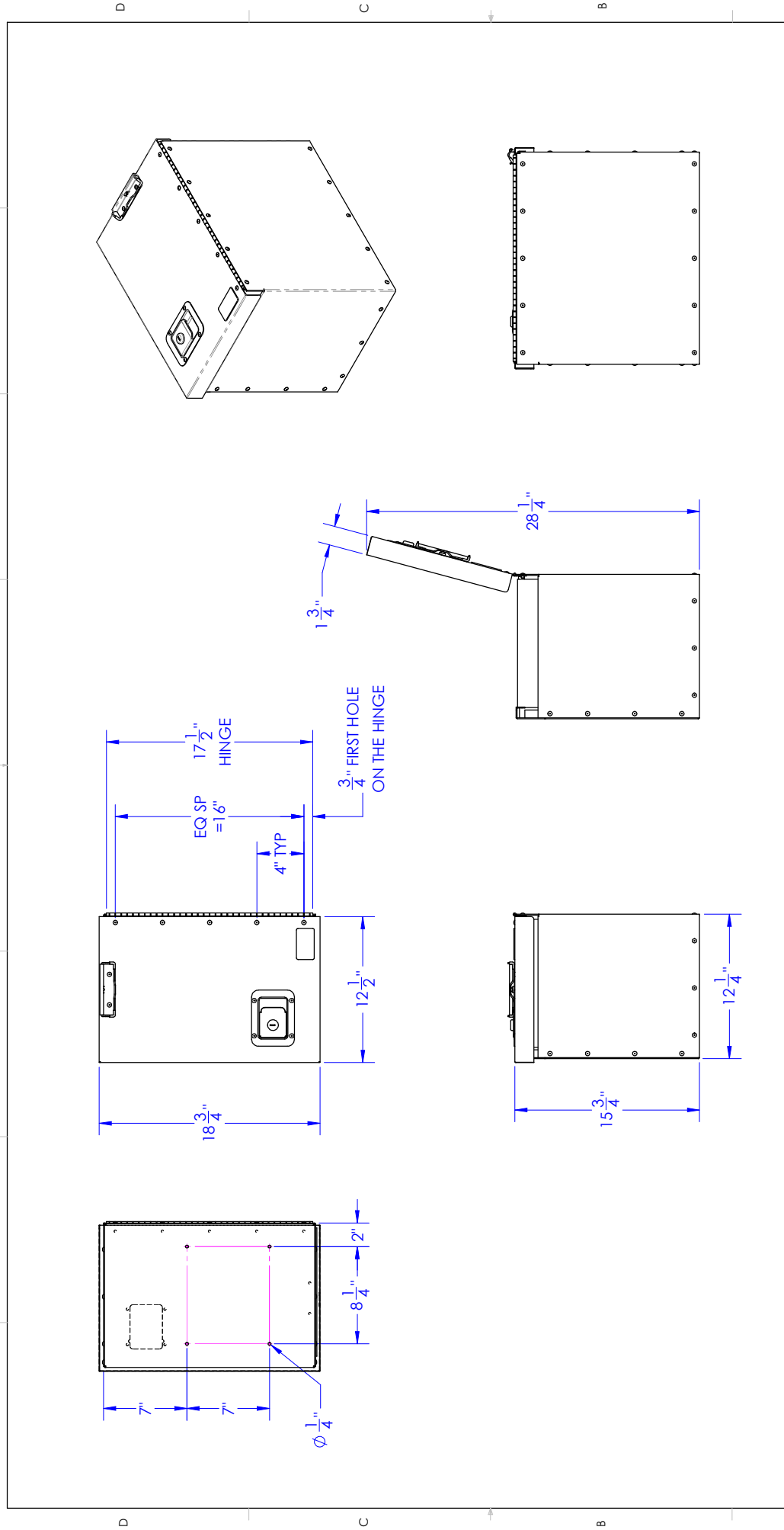


1 2 3 4 5 6 7 8



DESIGN

RANGER

Ranger Design Inc.
19160 Crickshank,
Baie d'Urè-Québec,
Canada H9X 3P1

TITLE: CAB BOX

SIZE DWG. NO. **B** 5045

REV **B**

E.W.: 15.7 SCALE: 1:8 SHEET 1 OF 3

UNLESS OTHERWISE SPECIFIED DIMENSIONS ARE IN INCHES

GENERAL TOLERANCES

FRACTIONAL: $\pm 1/32$

DECIMAL: 0.000 ± 0.005

ANGULAR: $\pm 0.1^\circ$

HOLE DIAMETER: ± 0.005

BENDING TOLERANCES

RENDER: ± 0.010

FORM: ± 0.015

HEAT: ± 0.015

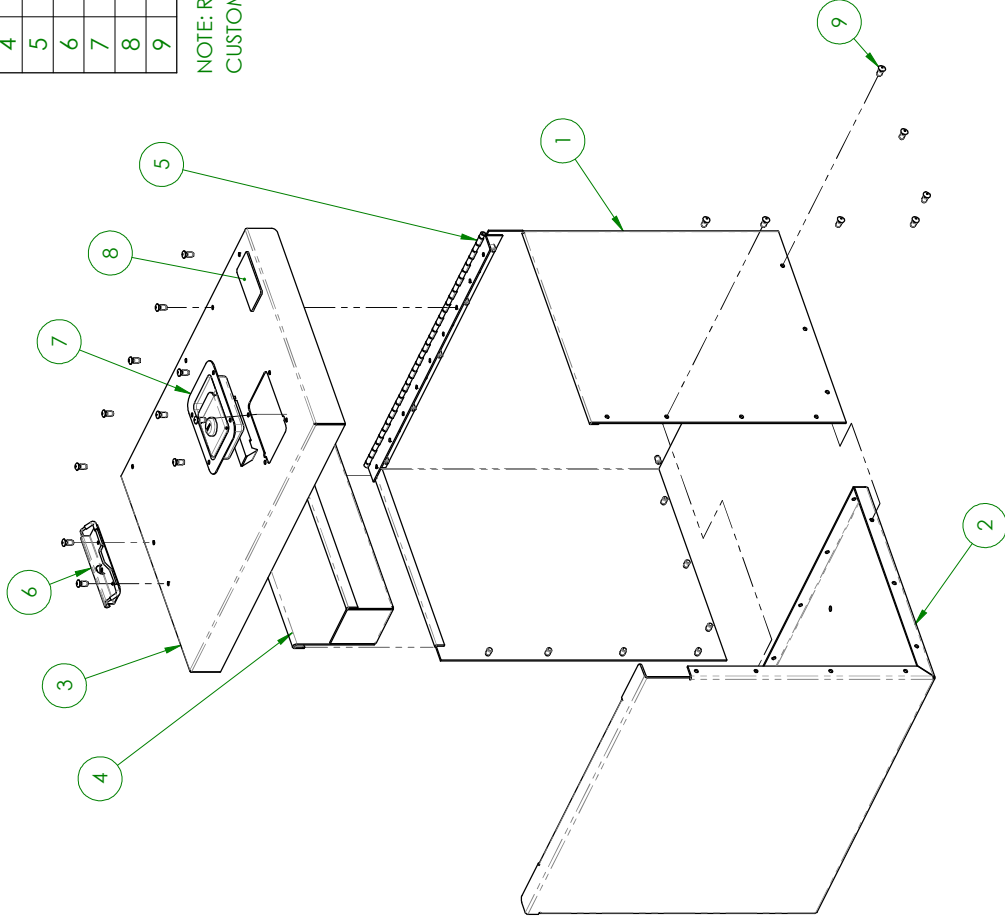
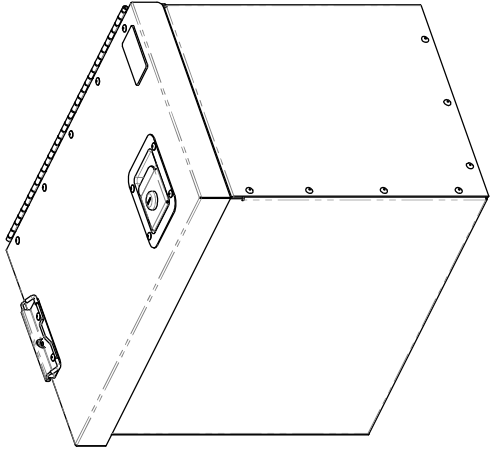
THIRD ANGLE PROJECTION

3D MODEL	12-21-2016	MM-DD-YYYY	12-16-2016	IP	12-21-2016	IP
VERIFIED BY: IP	12-21-2016	MM-DD-YYYY	12-16-2016	IP	12-21-2016	IP
APPROVED BY: IP	12-21-2016	MM-DD-YYYY	12-16-2016	FG	12-21-2016	BY
DESIGNED BY: IP	12-16-2016	MM-DD-YYYY	10-07-2008	DATE	(MM-DD-YYYY)	BY
DRAWN BY: IP	12-16-2016	MM-DD-YYYY	ECN	DESCRIPTION	REVISIONS	
VERIFIED BY: IP	12-21-2016	MM-DD-YYYY	5334	COVER CHANGED TO GRAY, PEM NUTS REMOVED		
APPROVED BY: IP	12-21-2016	MM-DD-YYYY		RELEASE FOR MANUFACTURING		

THE INFORMATION CONTAINED IN THIS DRAWING IS THE SOLE PROPERTY OF RANGER DESIGN INC. ANY REPRODUCTION IN PART WITHOUT THE WRITTEN PERMISSION OF RANGER DESIGN INC IS PROHIBITED.

ITEM NO.	NUMBER	DESCRIPTION	QTY.
1	54-401	CAB BOX REAR PANEL	1
2	54-402	CAB BOX FRONT PANEL	1
3	54-417	CAB BOX COVER, GREY	1
4	54-500	CAB BOX PENCIL HOLDER	1
5	54-510	CAB BOX PIANO HINGE	1
6	70-094	CAB BOX PAPER CLIP	1
7	70-100	PADDLE LATCH; BLACK POWDER COATED	1
8	79-914	LABEL, 2-5/8" x 1-1/2"	1
9	96-202	CLOSED END BLIND RIVET 3/16" (MAT UP TO 1/4") : TYPE #64	35

NOTE: RANGER ASSEMBLY FASTENER KIT: **92-5010**
CUSTOMER INSTALLATION FASTENER KIT: **96-5007**



DESIGN RANGER		Ranger Design Inc. 19160 Cruickshank, Baie d'Uré, Québec, Canada H9X 3P1	
TITLE: CAB BOX		REV B	
SIZE B		DWG. NO. 5045	
E.W.: 15.7		SCALE: 1:6	
THIRD ANGLE PROJECTION		SHEET 2 OF 3	

THE INFORMATION CONTAINED IN THIS DRAWING IS THE SOLE PROPERTY OF RANGER DESIGN INC. ANY REPRODUCTION IN PART WITHOUT THE WRITTEN PERMISSION OF RANGER DESIGN INC IS PROHIBITED.

3D MODEL: 12-21-2016
VERIFIED BY: IP
DESIGNED BY: IP
DRAWN BY: IP
APPROVED BY: IP

12-21-2016
12-21-2016
12-16-2016
12-16-2016
12-21-2016
12-21-2016

MM-DD-YYYY

UNLESS OTHERWISE SPECIFIED DIMENSIONS ARE IN INCHES

GENERAL TOLERANCES
FRACTIONAL: 1/32
DECIMAL: 0.000 ±0.005
ANGULAR: ±0.1°
HOLE DIA: ±0.015
HOLE DIA: ±0.015

BENDING TOLERANCES
RADIUS: ±0.010
ANGLE: ±0.5°
HOLE DIA: ±0.015

