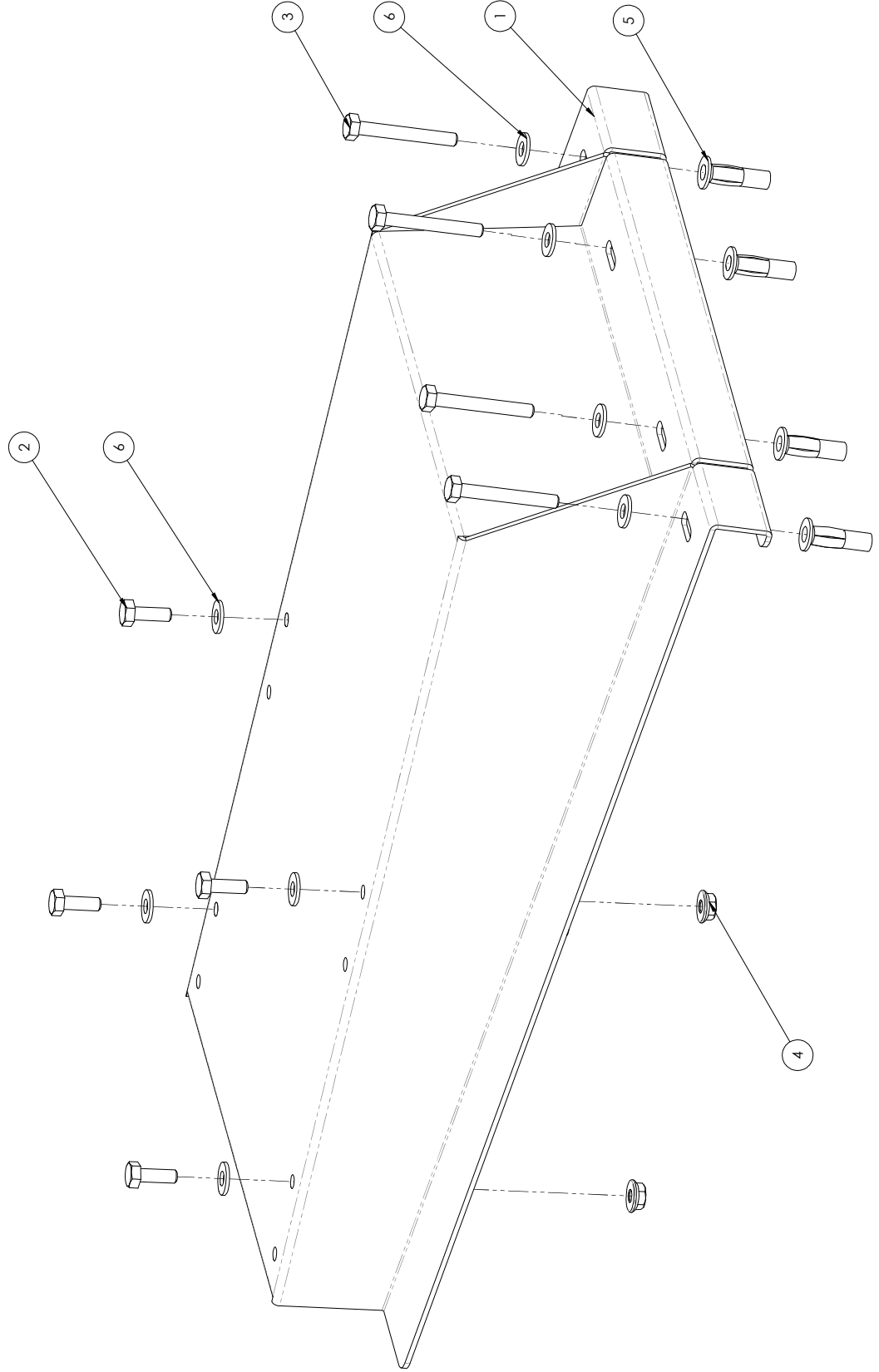


ITEM NO.	Number	DESCRIPTION	QTY
1	54-609	PROMASTER CAB BOX MOUNT	1
2	90-110	BOLT HEX 1/4"-18X0.75 GR-5 ZINC	4
3	90-130	BOLT HEX 1/4"-20 x 2" FULLY THREADED GR-5 ZINC	4
4	94-112	1/4"-20 SERRATED FLANGE NUT, ZINC	4
5	94-130	PLUS NUT .250	4
6	98-106	WASHER FLAT SAE 1/4, ZINC	8

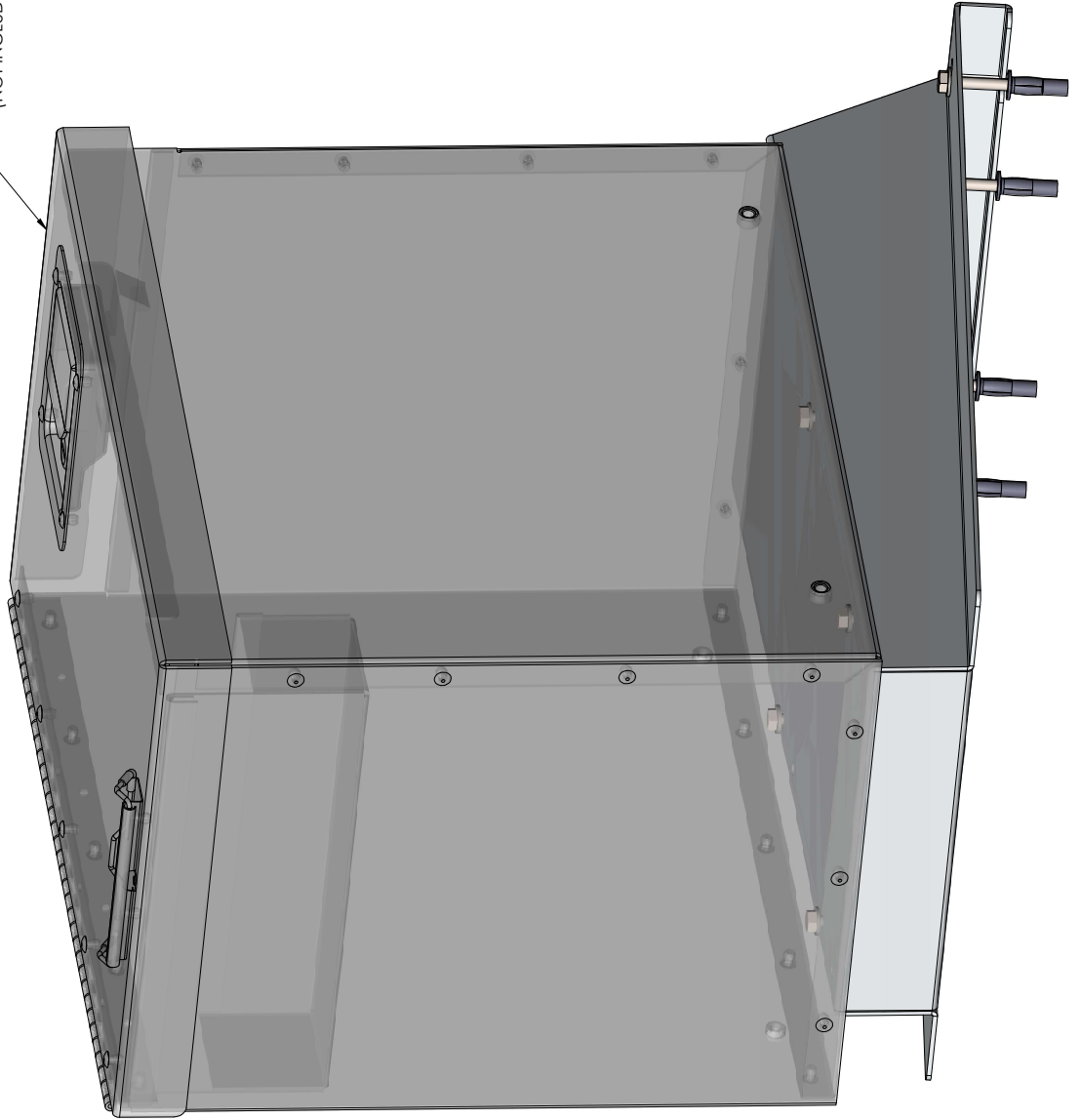


THE INFORMATION CONTAINED IN THIS DRAWING IS THE SOLE PROPERTY OF RANGER DESIGN, INC. ANY REPRODUCTION IN PART OR AS A WHOLE WITHOUT THE WRITTEN PERMISSION OF RANGER DESIGN, INC. IS PROHIBITED.

TITLE: CAB BOX MOUNT, PROMASTER

SIZE	DWG. NO.	REV
C	5047	A

5045 CAB BOX SHOWN
(NOT INCLUDED)



RANGER
DESIGN
www.rangerdesigninc.com
(800) 565-5321

ALL INFORMATION CONTAINED IN THIS DRAWING IS THE SOLE PROPERTY OF RANGER DESIGN, INC. ANY REPRODUCTION IN PART OR AS A WHOLE WITHOUT THE WRITTEN PERMISSION OF RANGER DESIGN, INC. IS PROHIBITED.

TITLE: CAB BOX MOUNT, PROMASTER

SIZE	DWG. NO.	REV
C	5047	A

01-15-2014 SCALE: 1:2 SHEET 2 OF 2