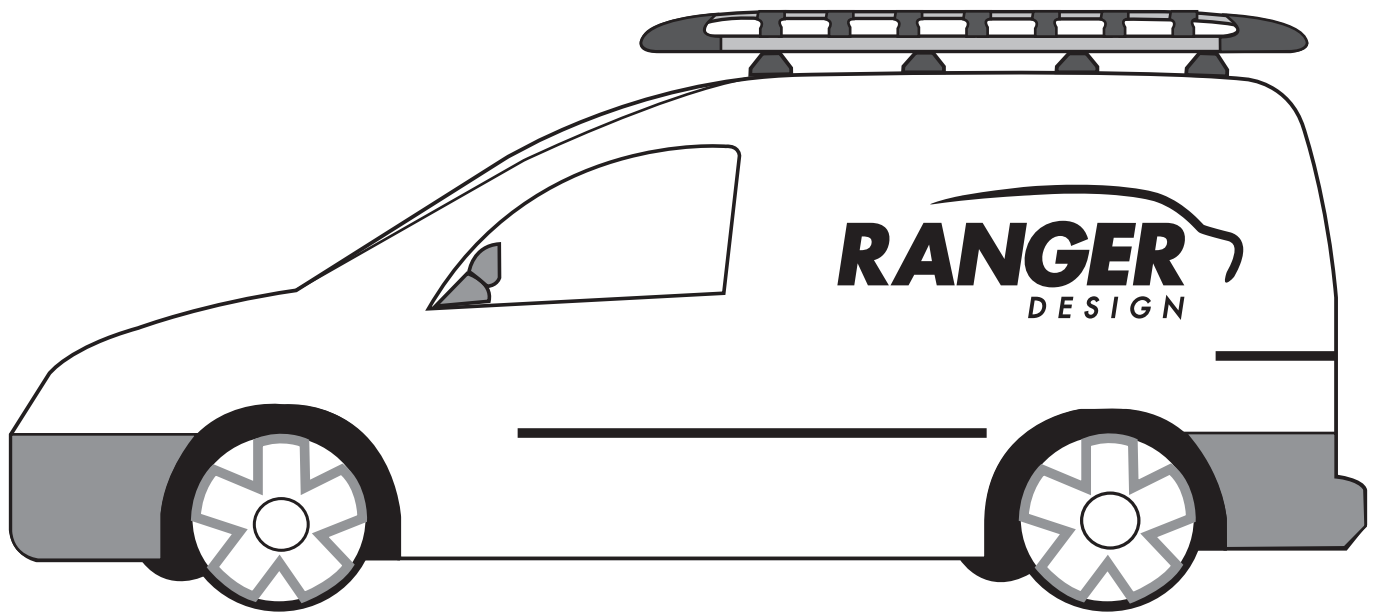


INSTALLATION GUIDE



1506-FTL Cargo Plus

Ford Transit 148" Wheelbase

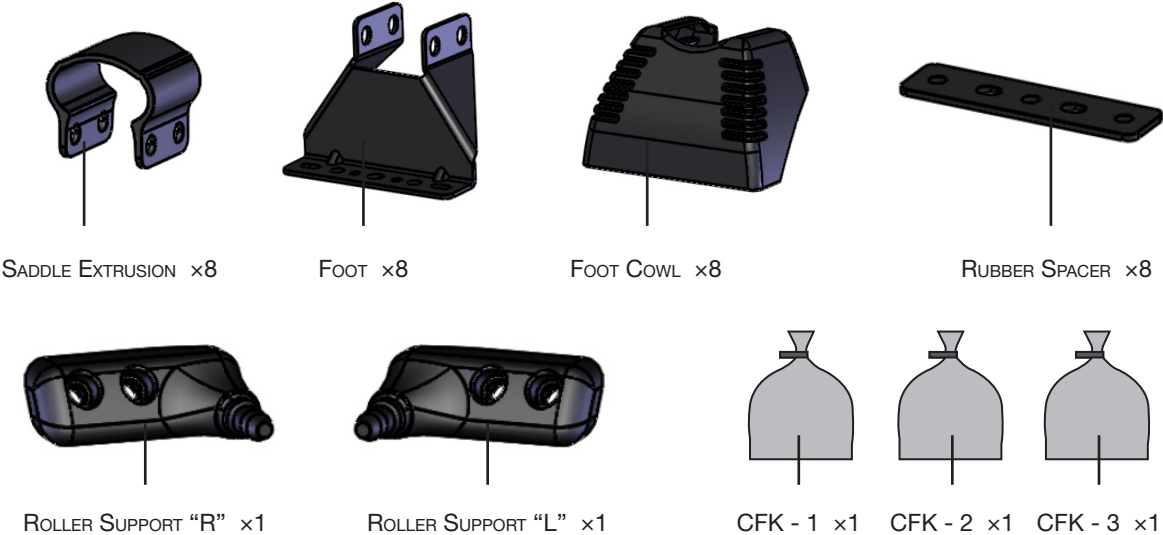


PHASE 1 – ASSEMBLY

1.1 SETUP

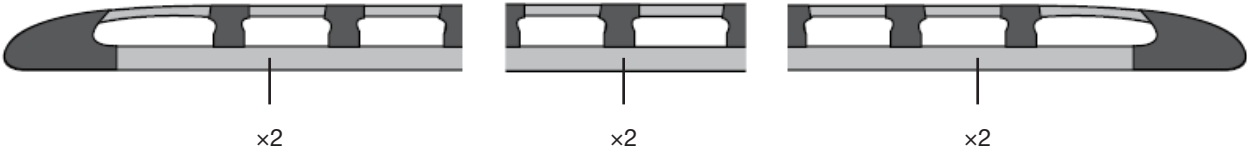
1.1.2 Verify all parts are present.

15-U4005 BOX

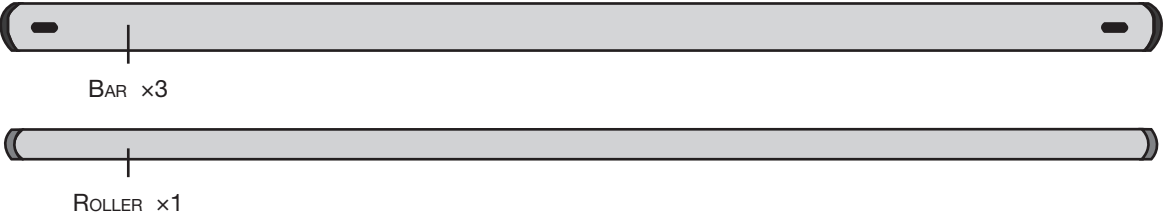


15-U1003 BOX

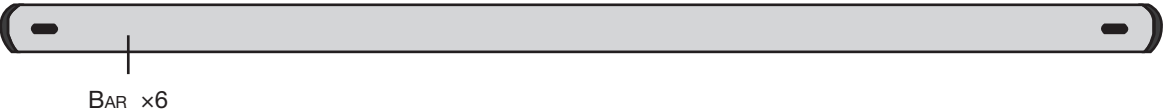
SIDE RAILS



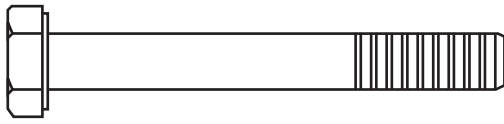
15-U3002 BOX



15-U2002 BOX



HARDWARE



(M8 x 65) x16



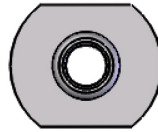
(M8 x 25) x8



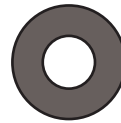
(M8) x34



(M8) x22



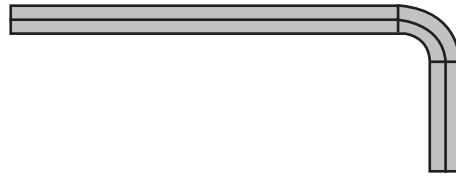
(M8) x22



(M8) x40

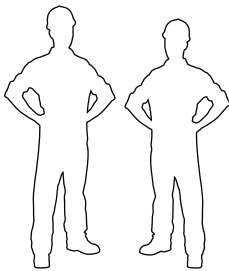


(M8) x8

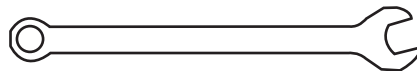


(M8) x1

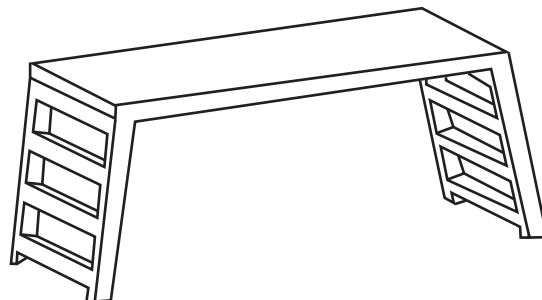
REQUIRED ITEMS



2
PERSONS



13mm x2



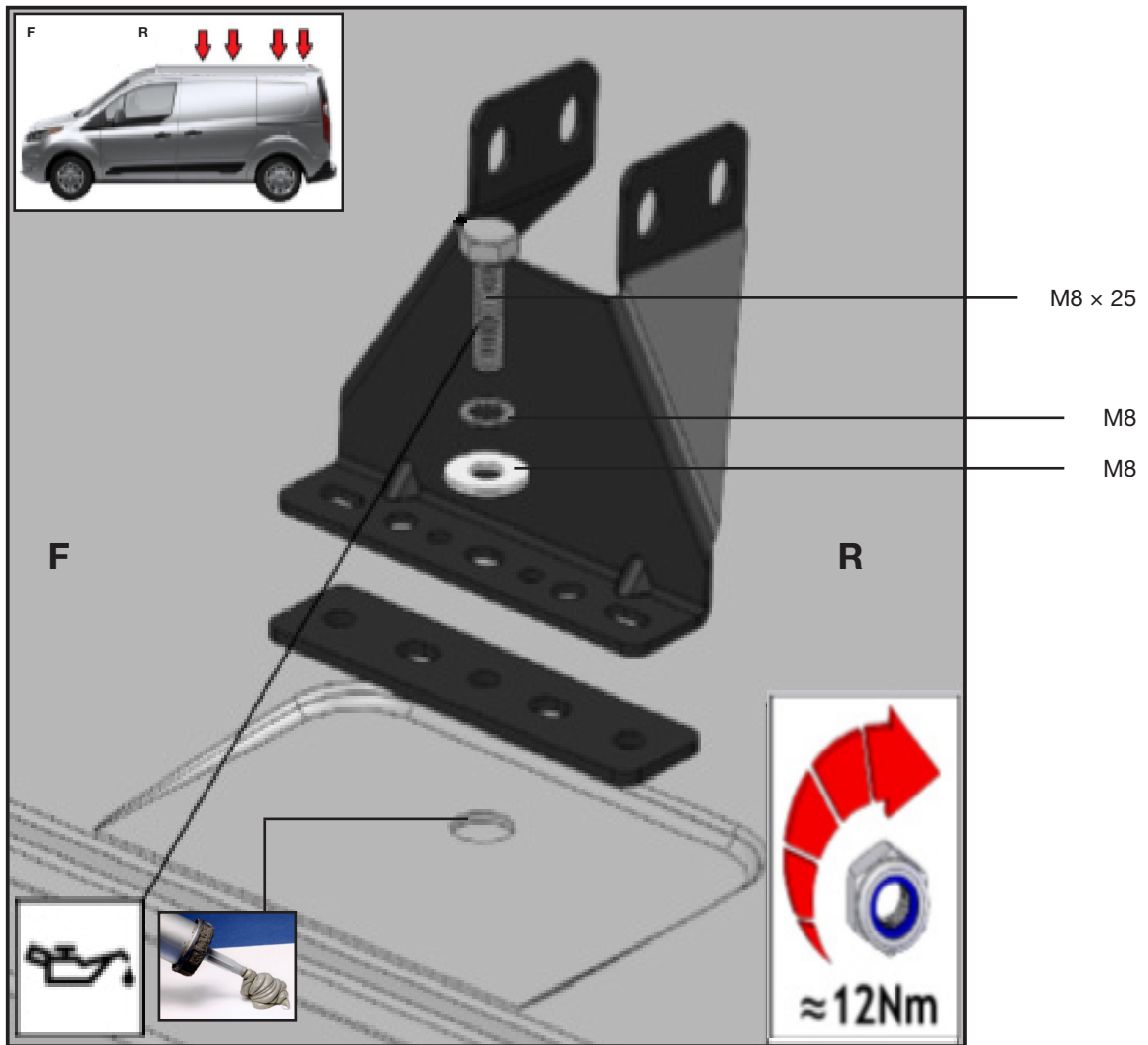
PHASE 2 – INSTALLATION

2.1 INSTALLATION

2.1.1 Install the feet.

NOTE: Apply a bead of silicone a round each hole.

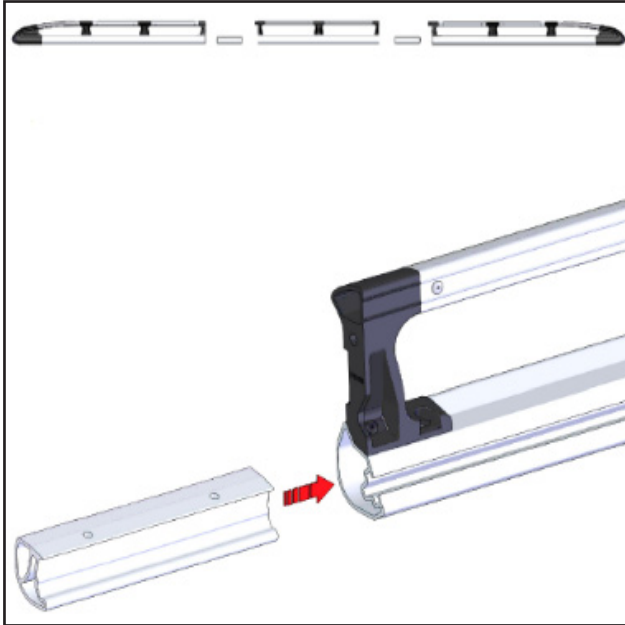
THREADED HOLES



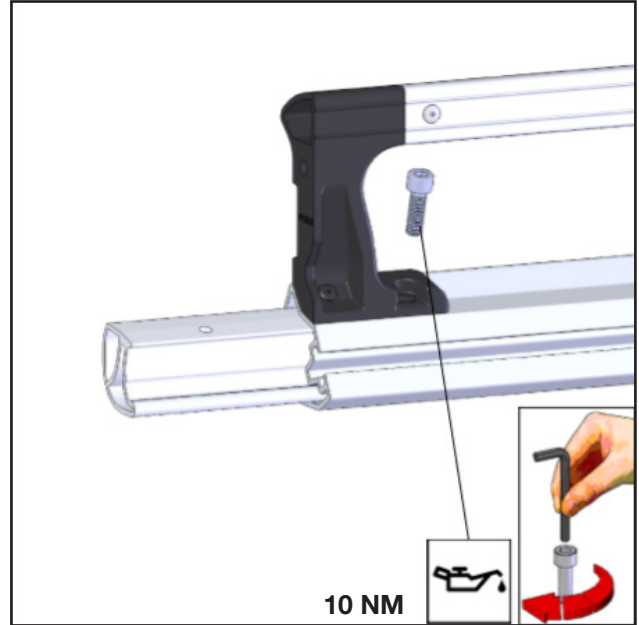
2.1.2 Connect the 3 side rails parts.

2x

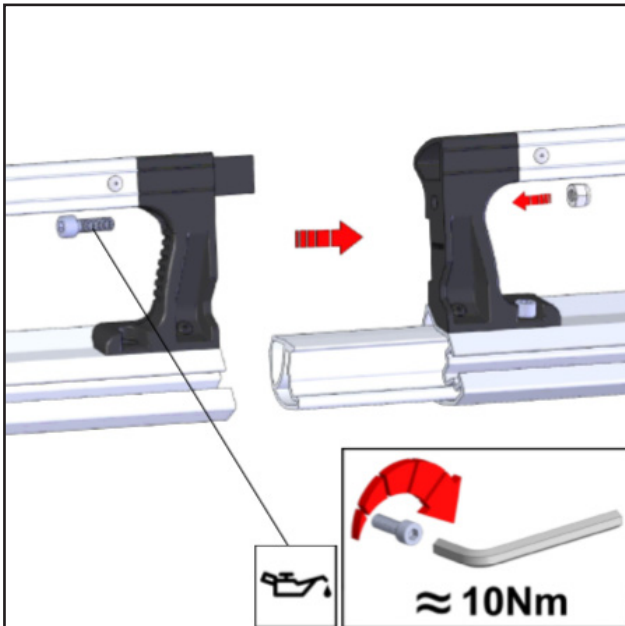
STEP 1



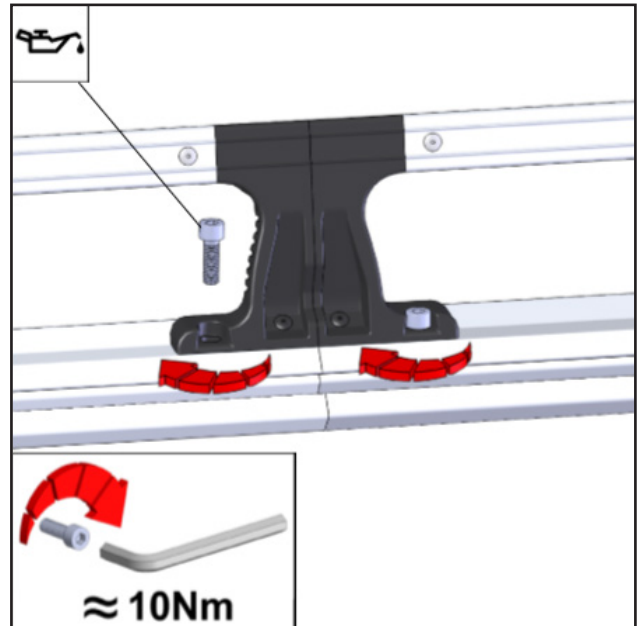
STEP 2



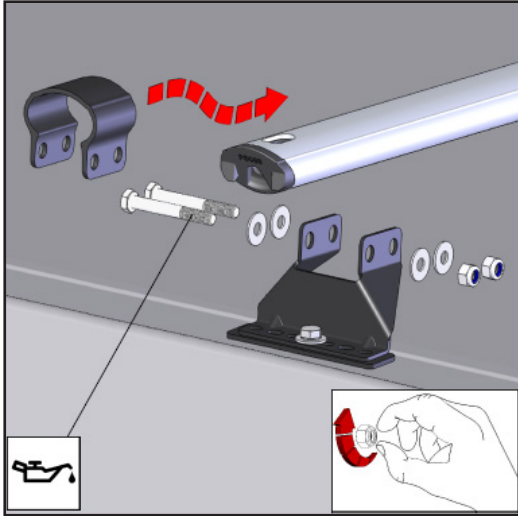
STEP 3



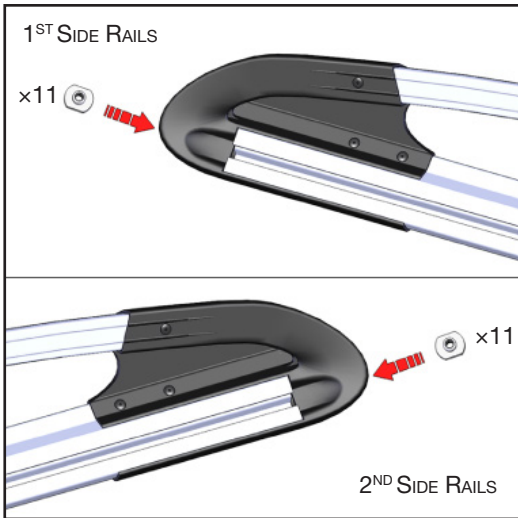
STEP 4



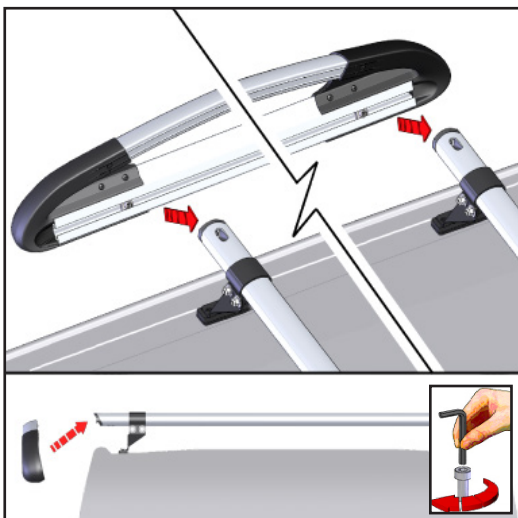
2.1.3 Install 4 bars in the feet.



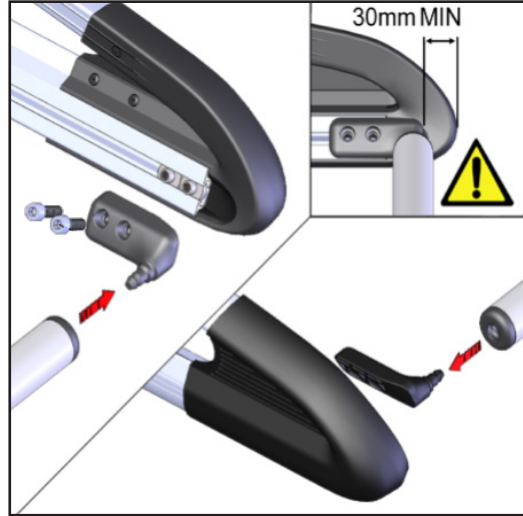
2.1.4 Slide 11 pcs. of channel nuts in each side rails.



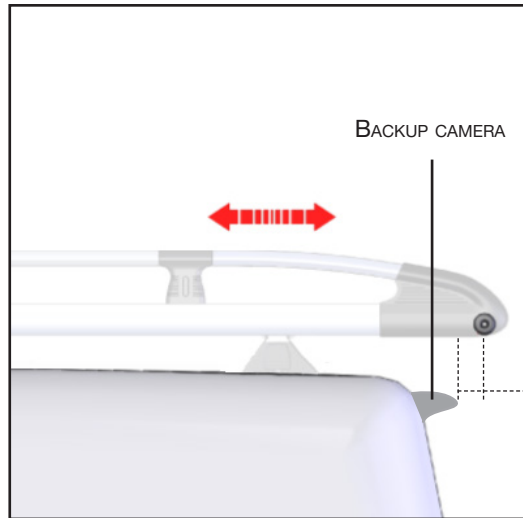
2.1.5 Attach the 2 side rails on both ends of the bar, using the 2nd, 5th, 7th & 8th Channel nuts from the front.



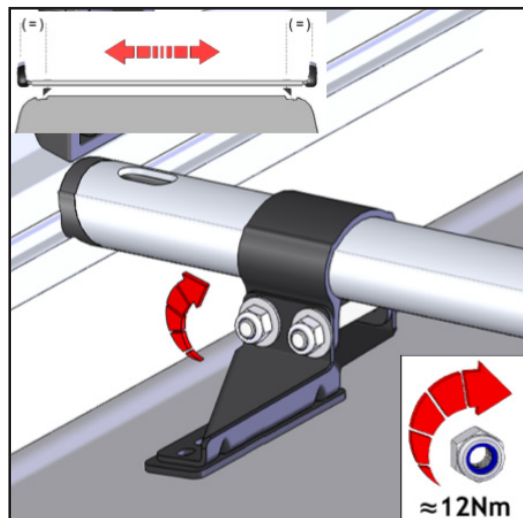
2.1.6 Attach the roller to the side rails using the 2 last channel nuts from the front.

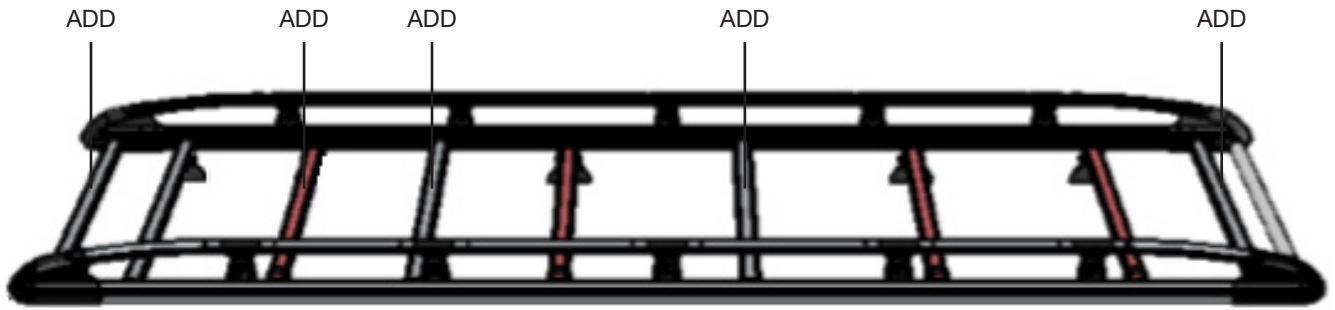


2.1.7 Slide the rack to the appropriate position.

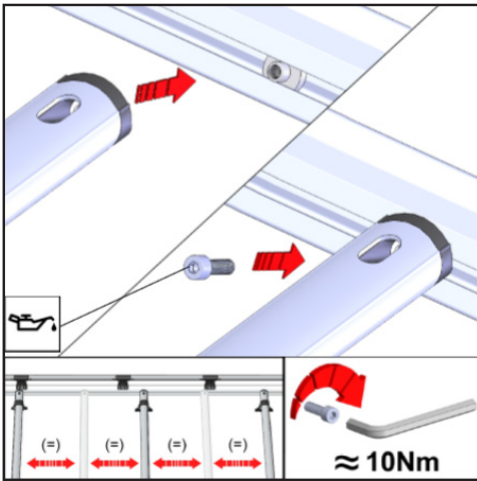


2.1.8 Center the bar on the vehicle.

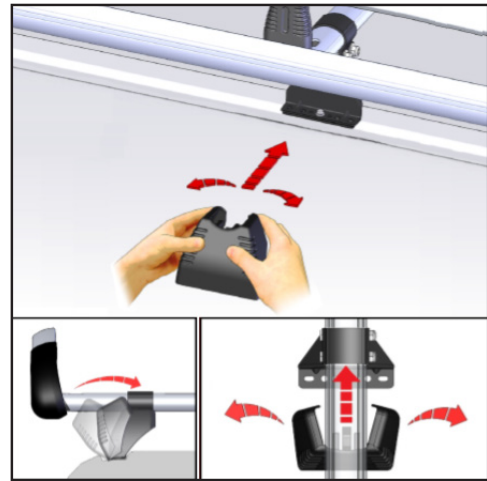




2.1.9 Attach the 5 bars.

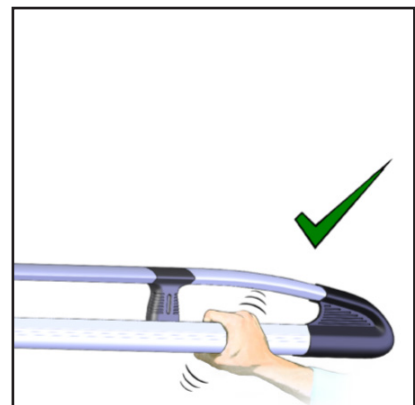
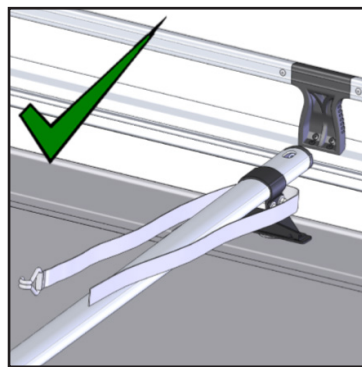
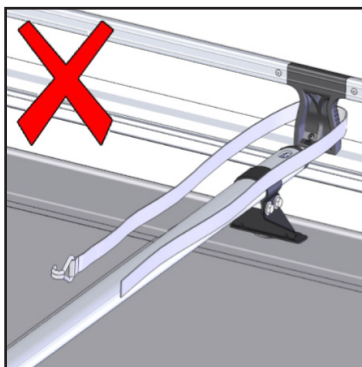
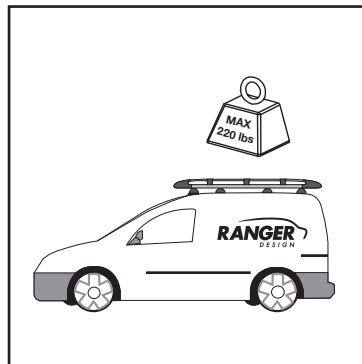
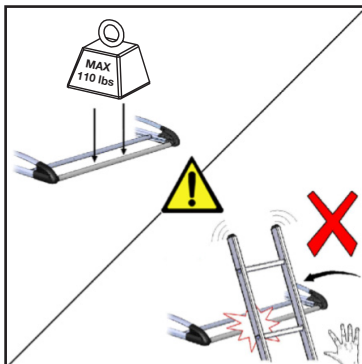


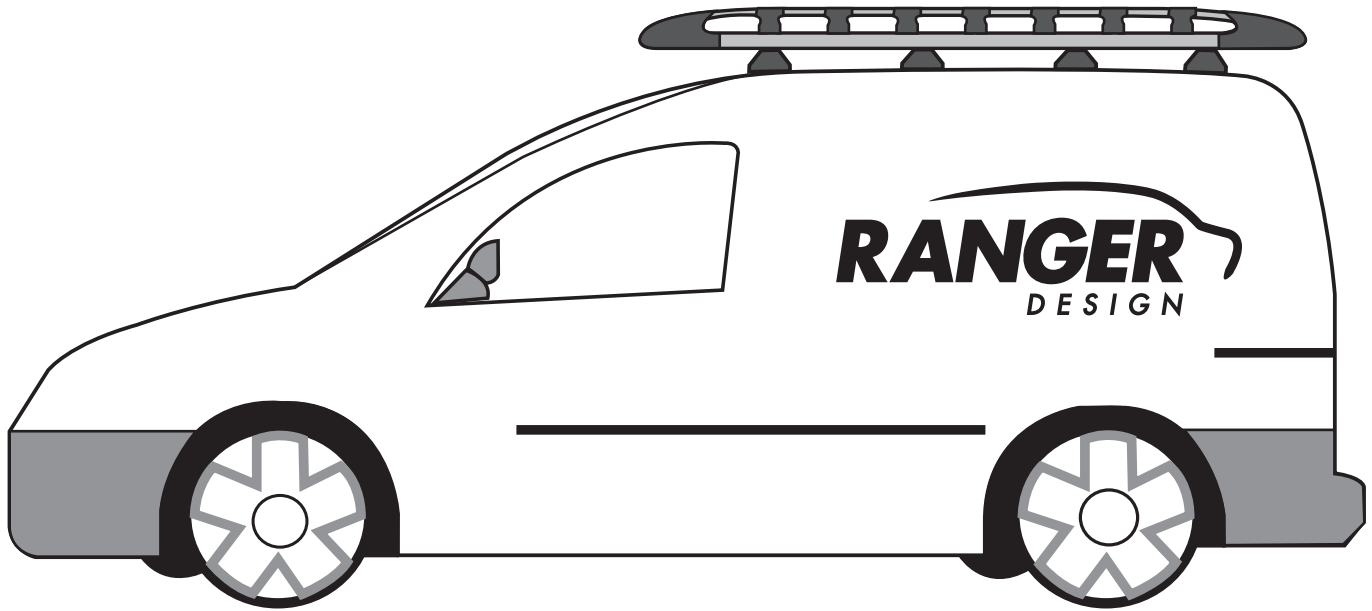
2.1.10 Attach the foot cowl to the foot.



PHASE 3 – TIPS

3.1 SAFETY TIPS





**“You have successfully installed your
1506-FTL Cargo Plus**

Thank you for doing business with us.”

For any feedback or suggestions you may have, please contact: cs@rangerdesign.com

