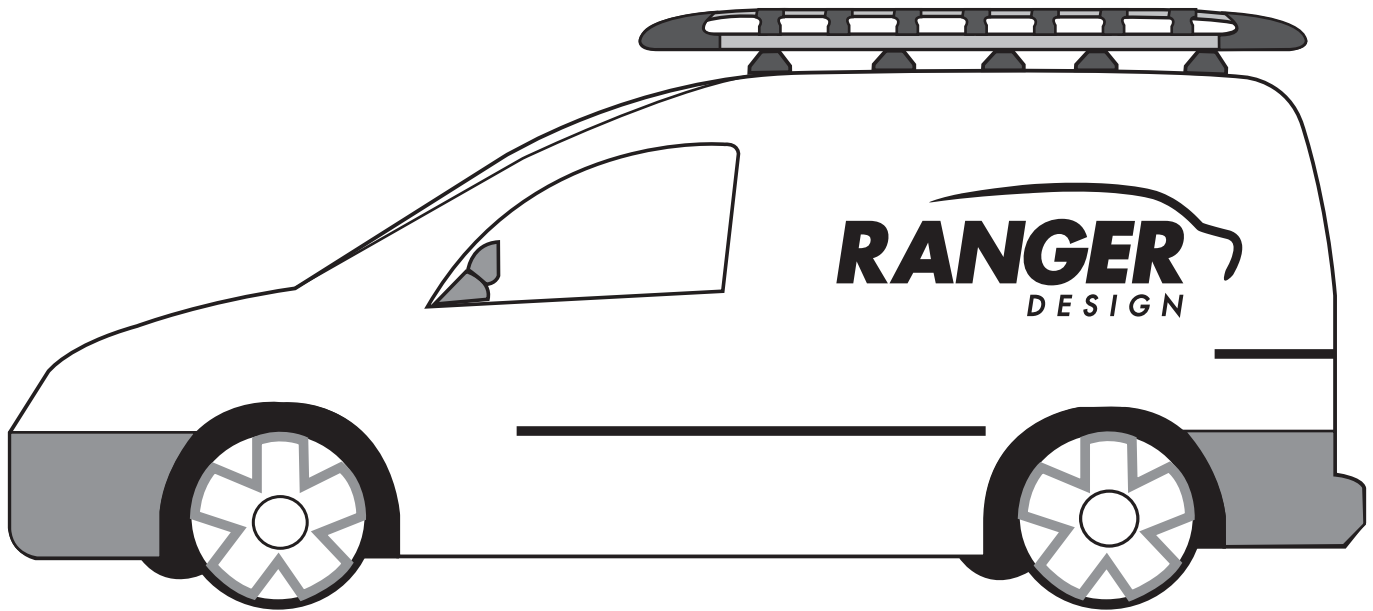


# INSTALLATION GUIDE



## 1506-FTX Cargo Plus

Ford Transit 148" EX Wheelbase

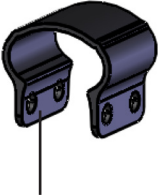


# PHASE 1 – ASSEMBLY

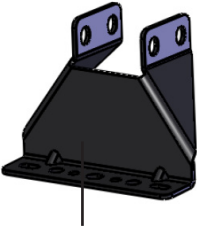
## 1.1 SETUP

1.1.2 Verify all parts are present.

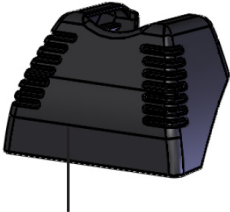
### 15-U4010 BOX



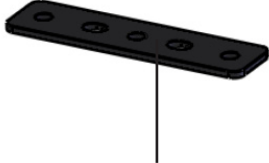
SADDLE EXTRUSION x10



FOOT x10



FOOT COWL x10



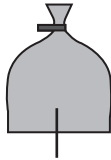
RUBBER SPACER x10



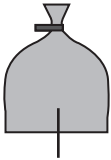
ROLLER SUPPORT "R" x1



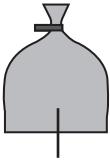
ROLLER SUPPORT "L" x1



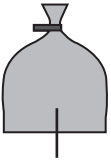
CFK - 1 x2



CFK - 2 x1



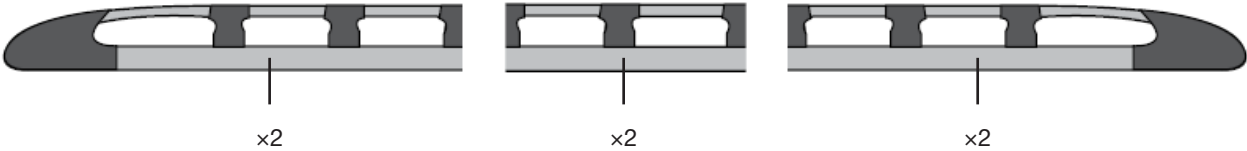
CFK - 3 x1



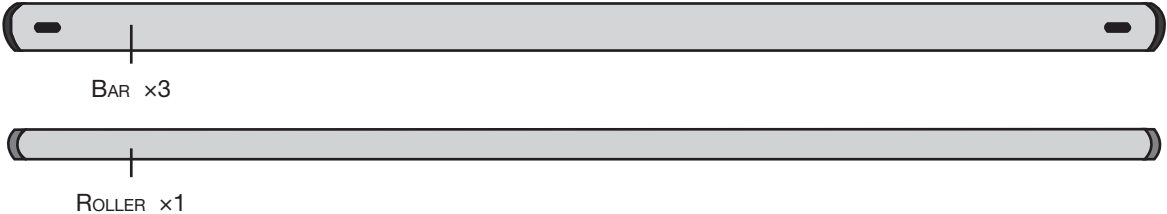
CFK - 4 x1

### 15-U1005 BOX

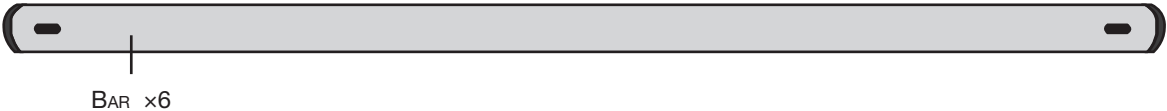
SIDE RAILS



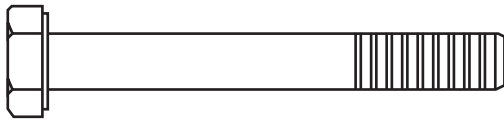
### 15-U3002 BOX



### 15-U2002 BOX



# HARDWARE



( M8 x 65 ) x20



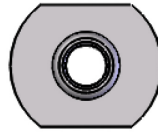
( M8 x 25 ) x10



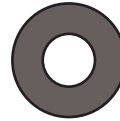
( M8 ) x34



( M8 ) x224



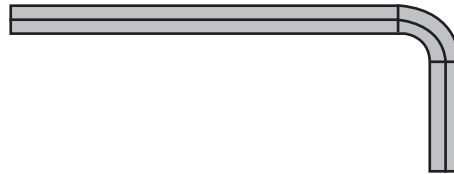
( M8 ) x22



( M8 ) x50

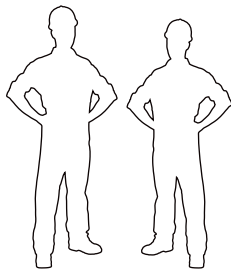


( M8 ) x10

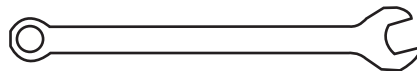


( M8 ) x1

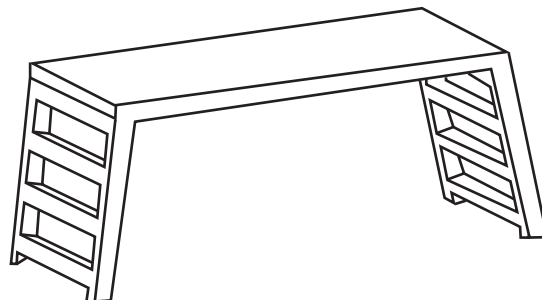
# REQUIRED ITEMS



**2**  
**PERSONS**



13mm x2



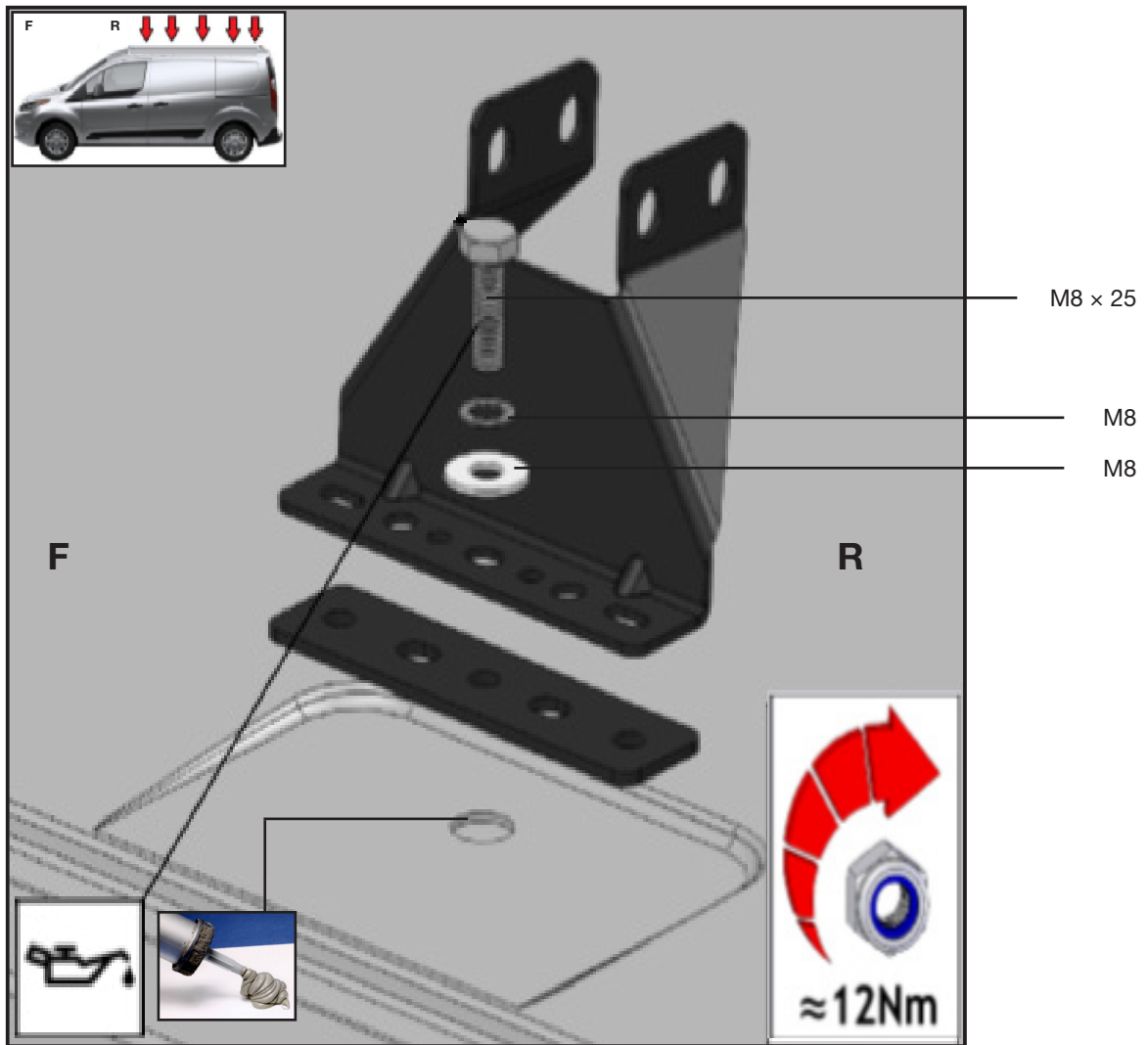
# PHASE 2 – INSTALLATION

## 2.1 INSTALLATION

2.1.1 Install the feet.

**NOTE:** Apply a bead of silicone a round each hole.

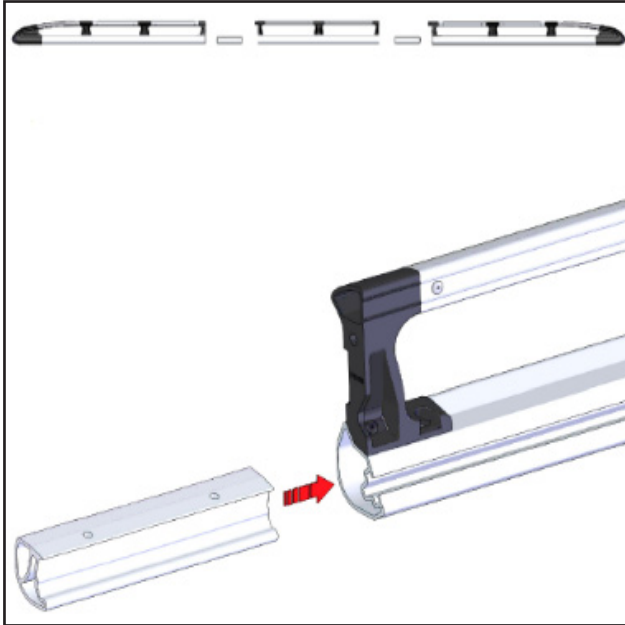
### THREADED HOLES



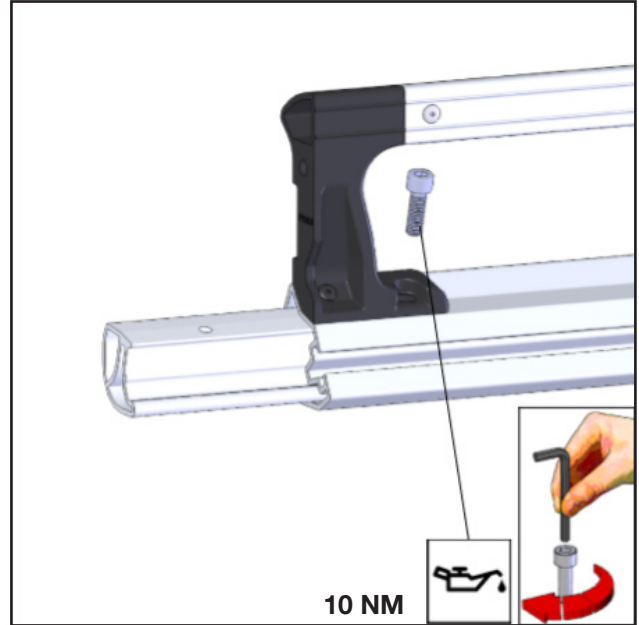
2.1.2 Connect the 3 side rails parts.

# 2x

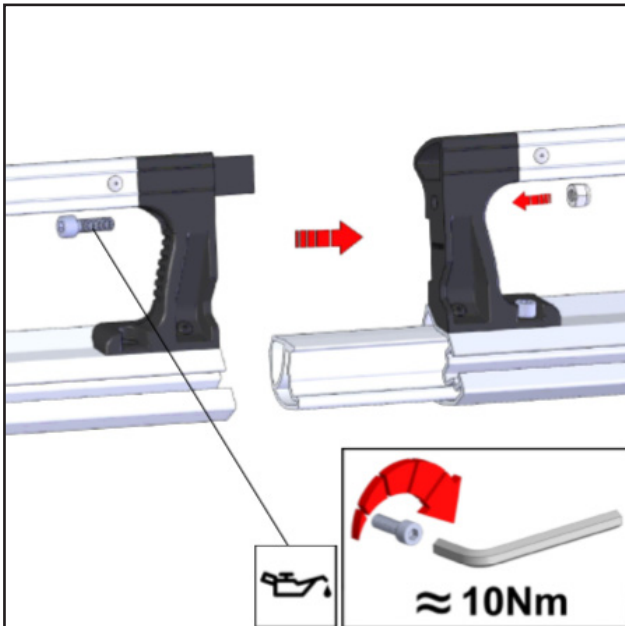
STEP 1



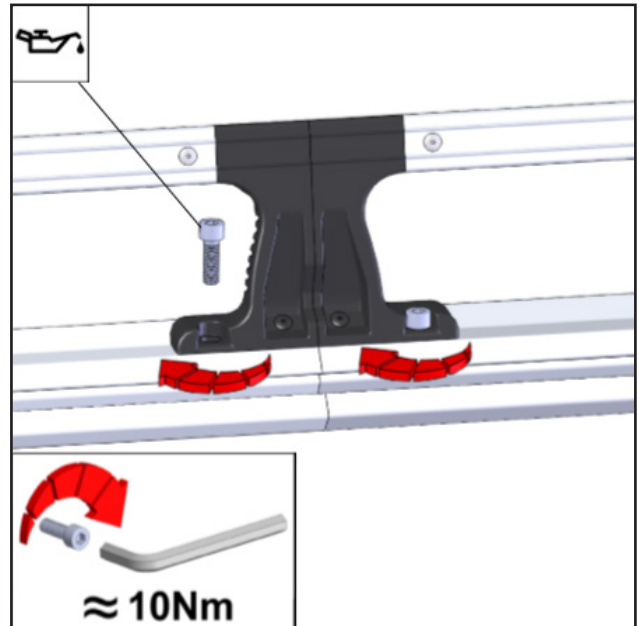
STEP 2



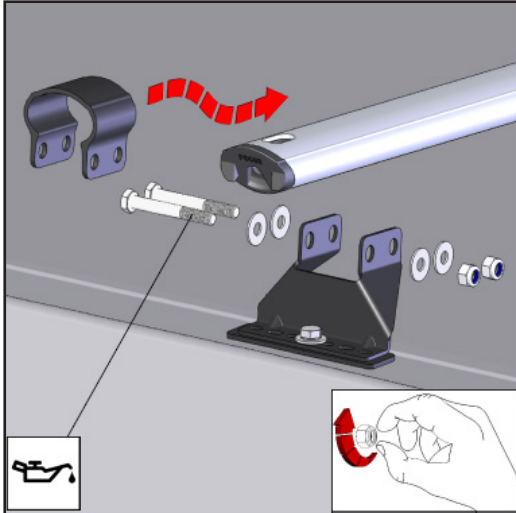
STEP 3



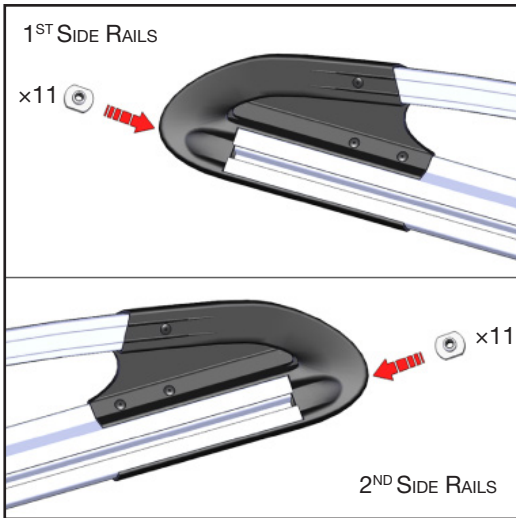
STEP 4



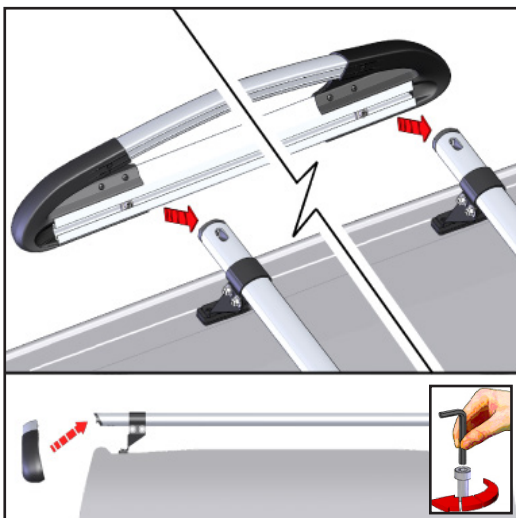
**2.1.3** Install 5 bars in the feet.



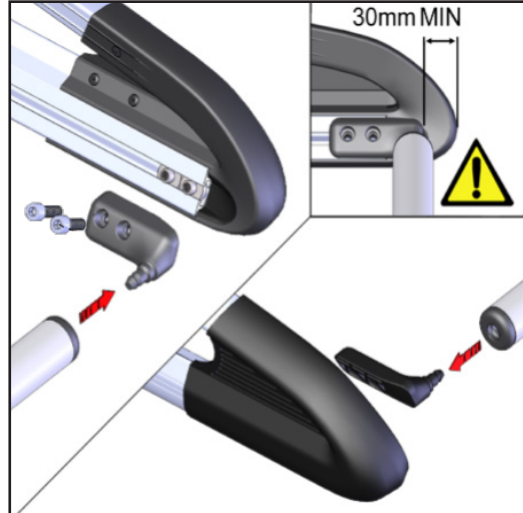
**2.1.4** Slide 11 pcs. of channel nuts in each side rails.



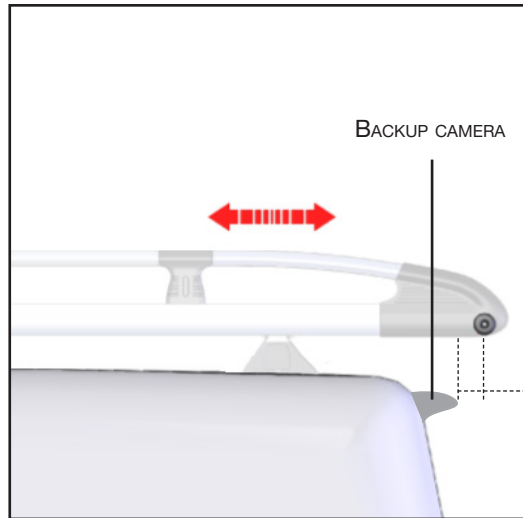
**2.1.5** Attach the 2 side rails on both ends of the bar, using the 2<sup>nd</sup>, 4<sup>th</sup>, 6<sup>th</sup>, 8<sup>th</sup> & 9<sup>th</sup> Channel nuts from the front.



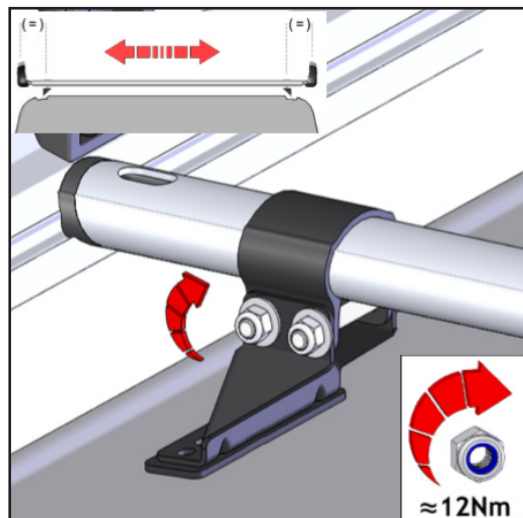
**2.1.6** Attach the roller to the side rails using the 2 last channel nuts from the front.

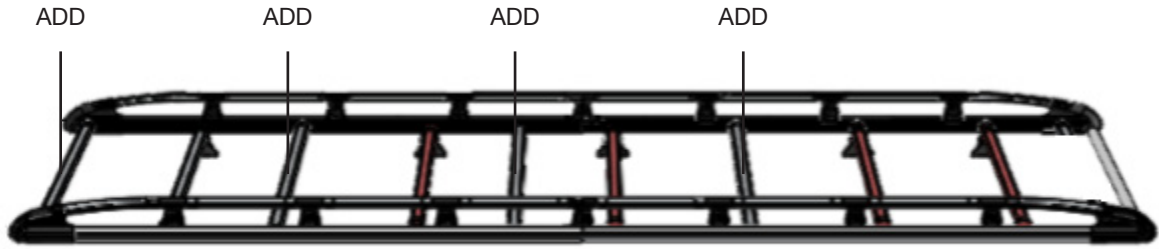


**2.1.7** Slide the rack to the appropriate position.

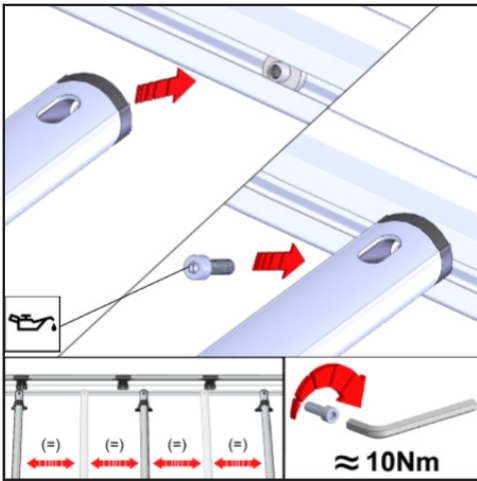


**2.1.8** Center the bar on the vehicle.

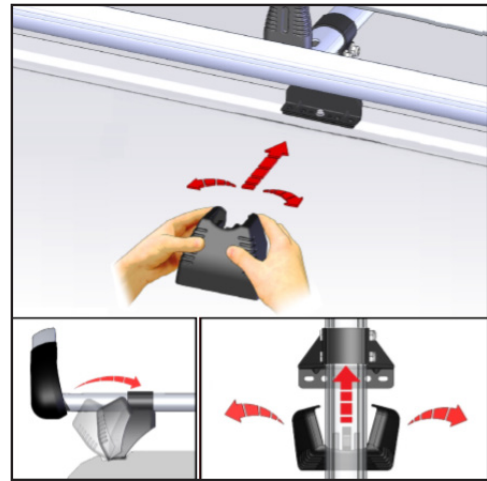




2.1.9 Attach the 4 bars.

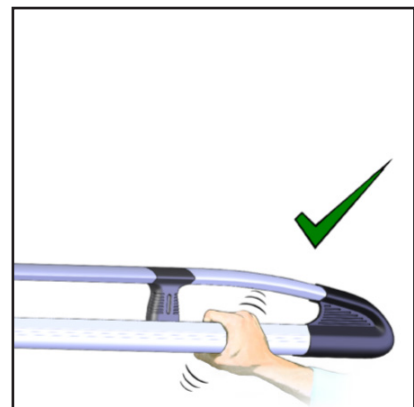
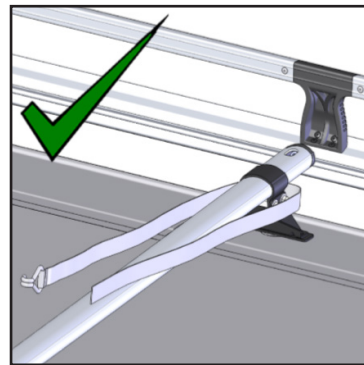
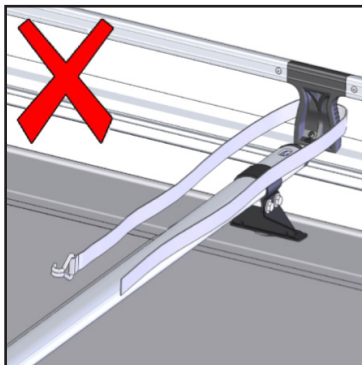
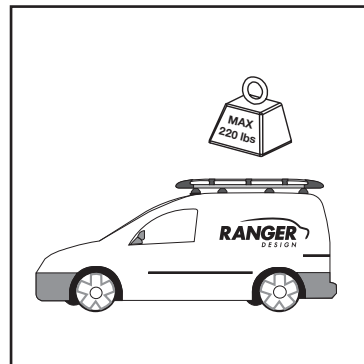
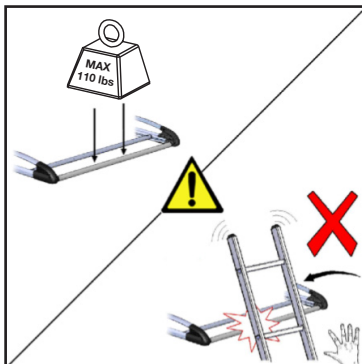


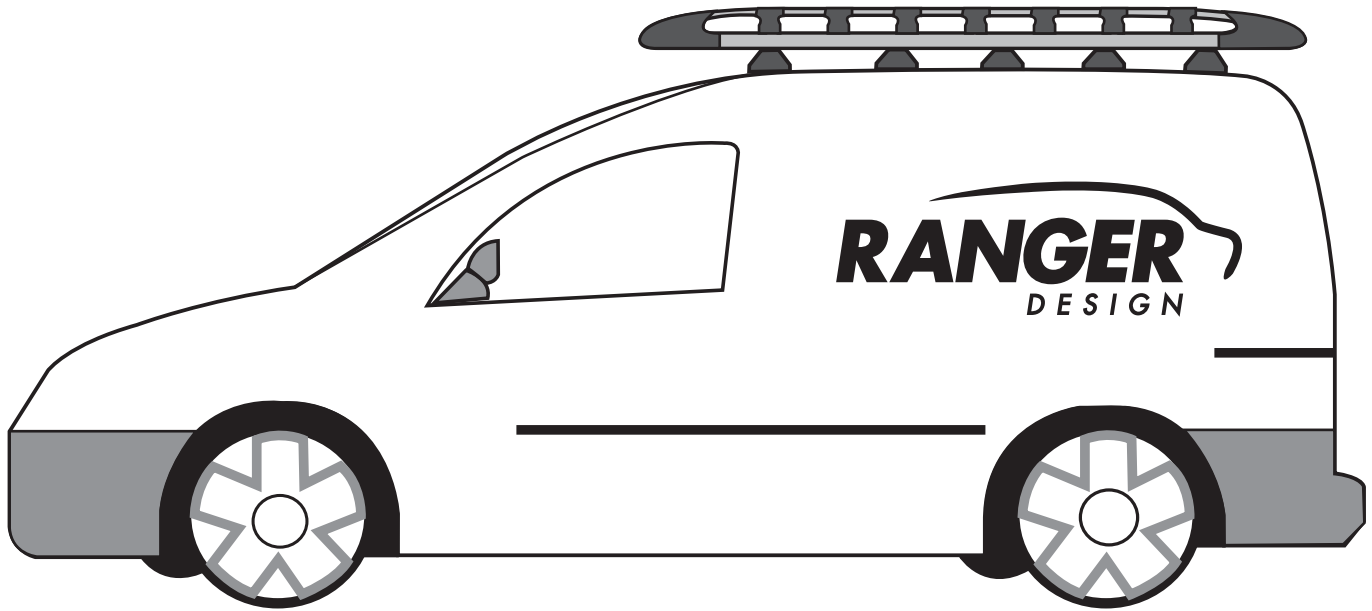
2.1.10 Attach the foot cowl to the foot.



## PHASE 3 – TIPS

### 3.1 SAFETY TIPS





**“You have successfully installed your  
1506-FTX Cargo Plus**

**Thank you for doing business with us.”**

For any feedback or suggestions you may have, please contact: [cs@rangerdesign.com](mailto:cs@rangerdesign.com)

