

INSTALLATION GUIDE



1506-M Cargo Rack

Mercedes Metris 135" Wheelbase

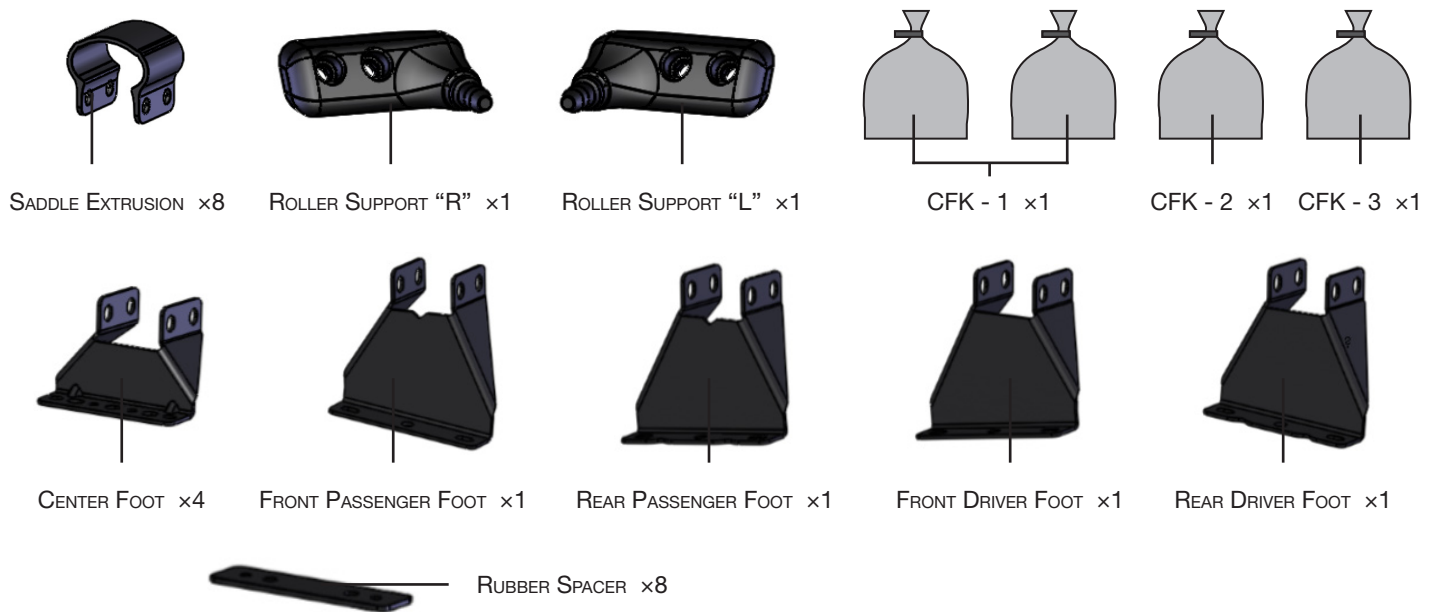


PHASE 1 – ASSEMBLY

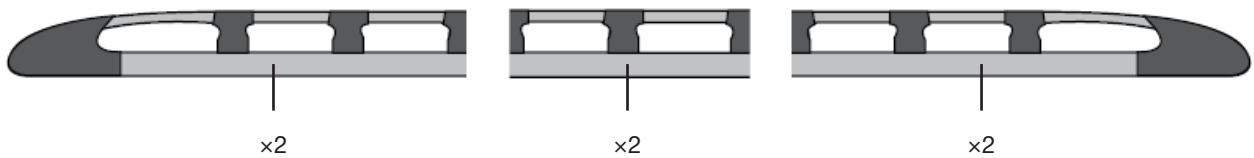
1.1 SETUP

1.1.2 Verify all parts are present.

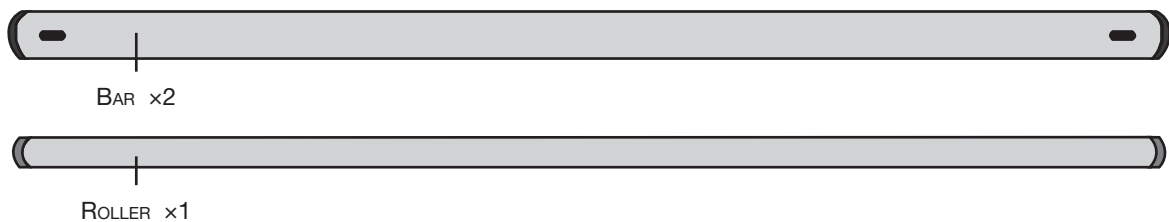
15-U4001 BOX



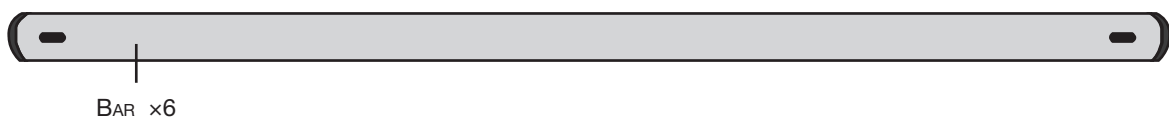
15-U1002 BOX



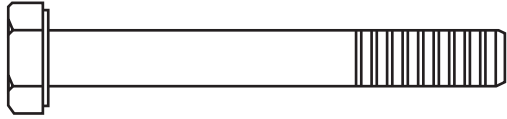
15-U3001 BOX



15-U2001 BOX



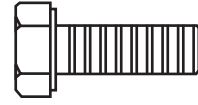
HARDWARE



(M8 x 65) x16



(M6 x 25) x16



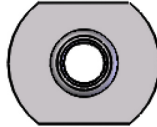
(M6 x 16) x16



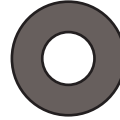
(M8) x16



(M6) x16



(M8) x22



(M8) x32



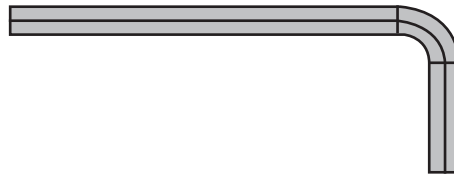
(M6) x32



(M6) x16

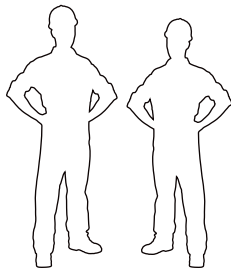


(M8) x26

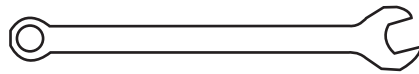


(M8) x1

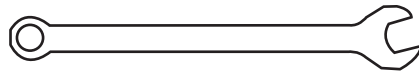
REQUIRED ITEMS



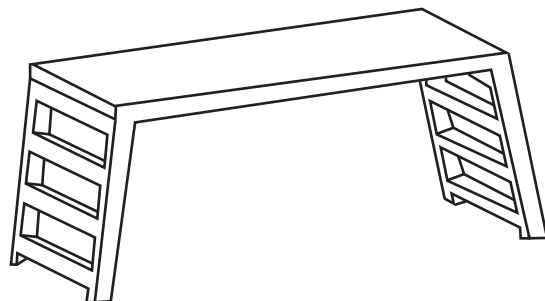
2
PERSONS



13mm x2



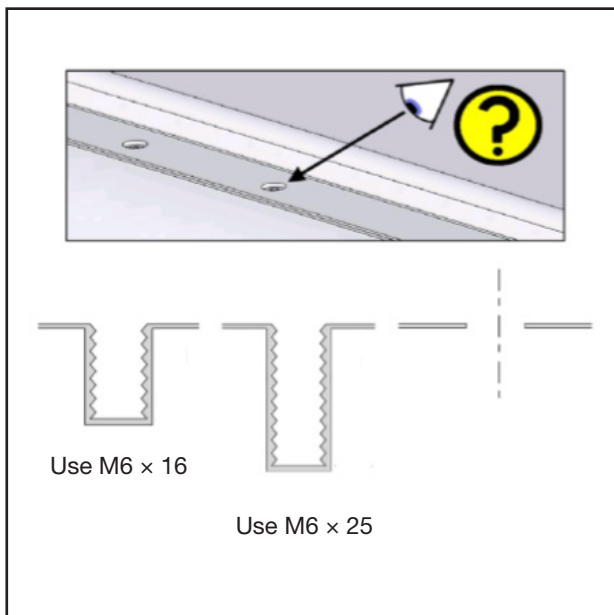
10mm x2



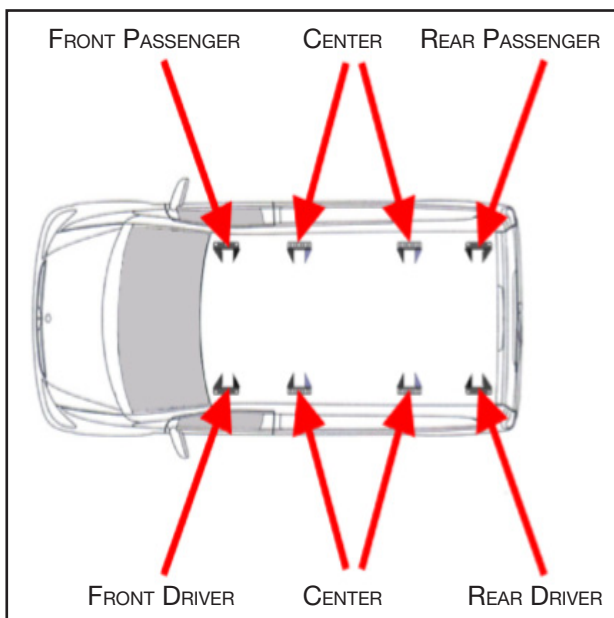
PHASE 2 – INSTALLATION

2.1 INSTALLATION

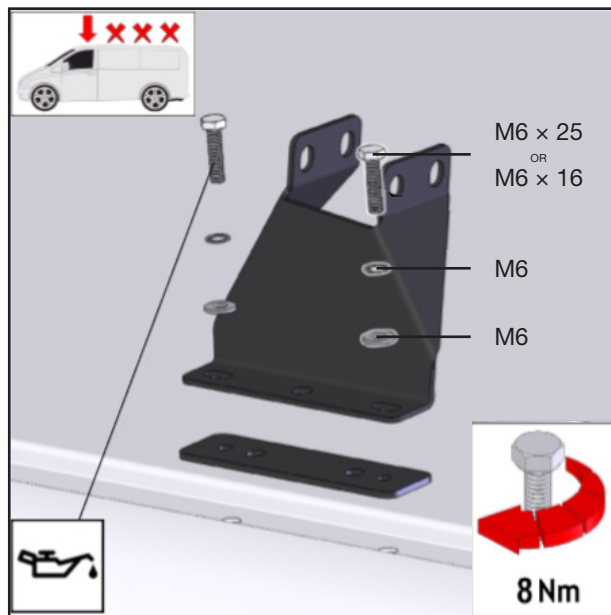
2.1.1 Remove the plug of the OEM holes in the roof, then check the holes depth.



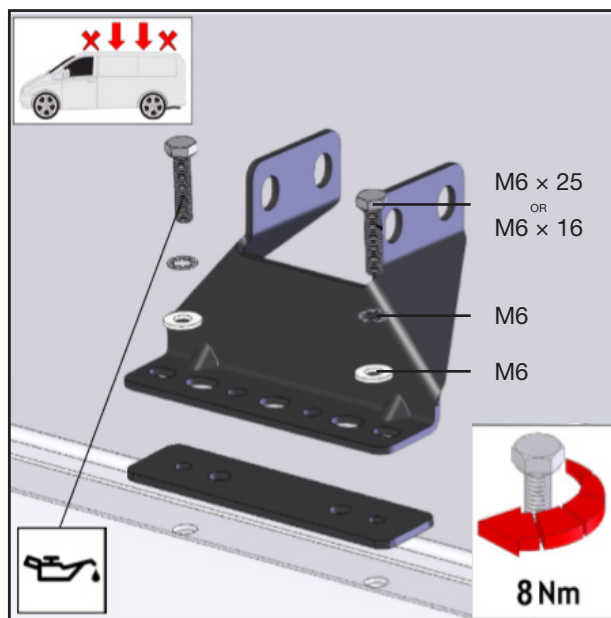
2.1.2 Position all the feet.



2.1.3 Attach the front feet.



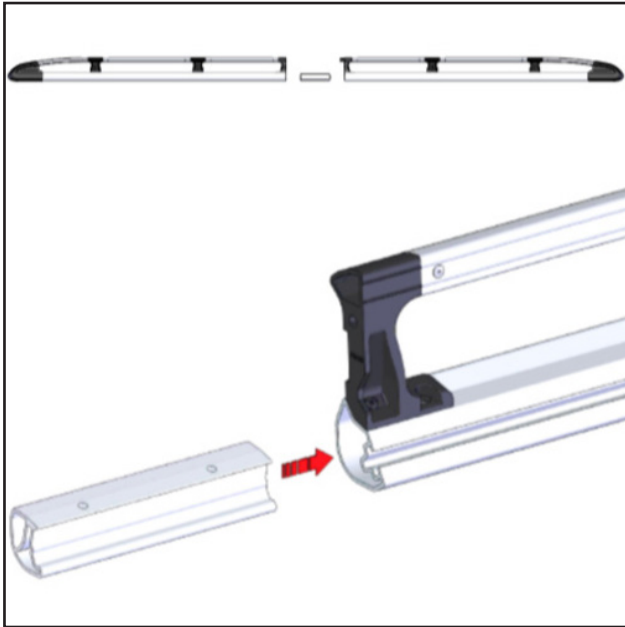
2.1.4 Attach the Center feet.



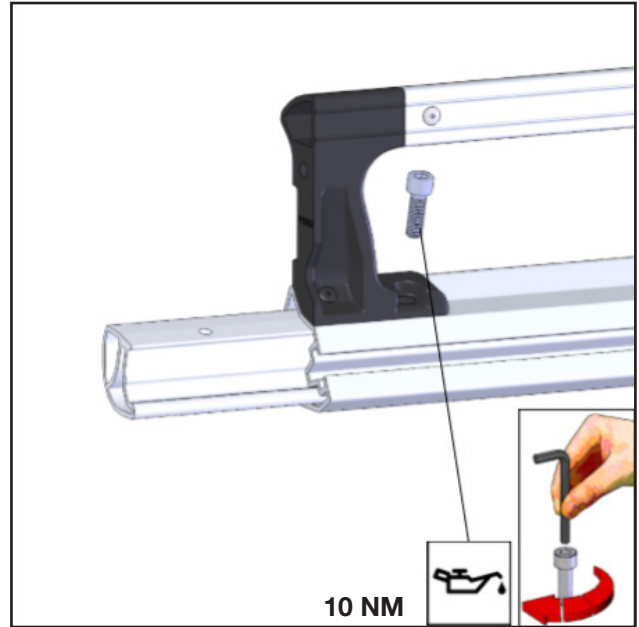
2.1.5 Connect the 2 side rails parts.

2x

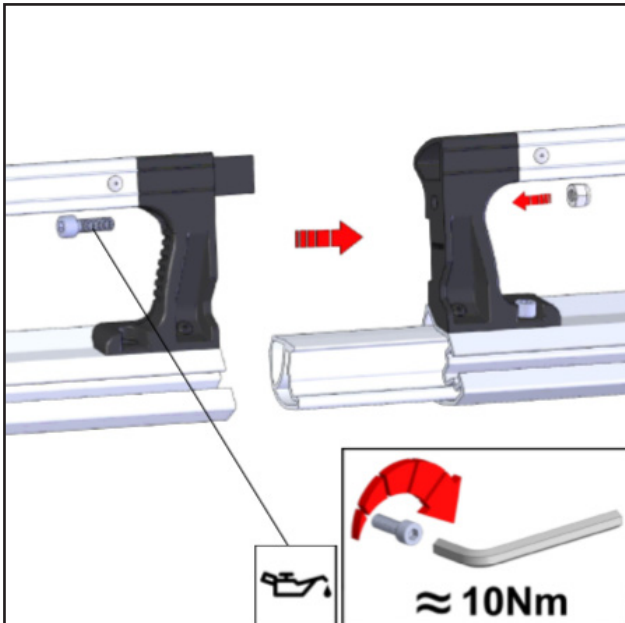
STEP 1



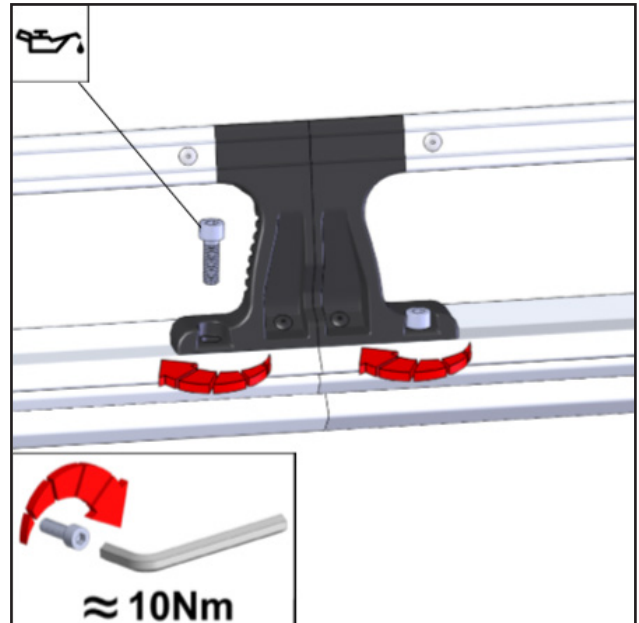
STEP 2



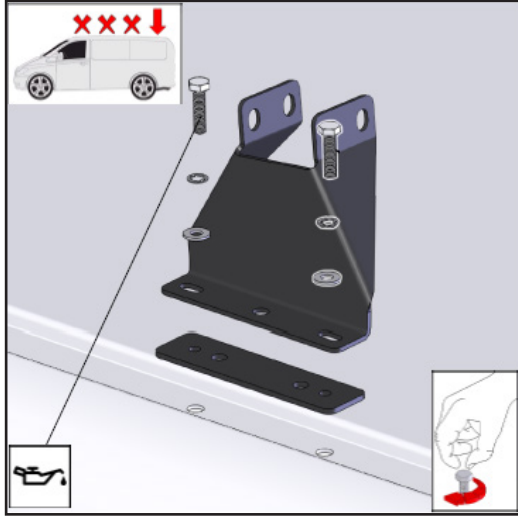
STEP 3



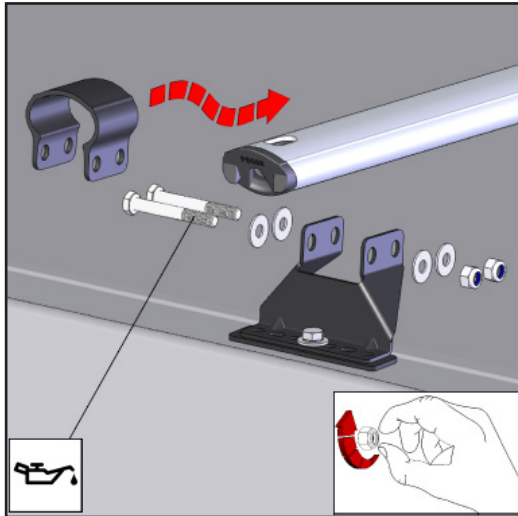
STEP 4



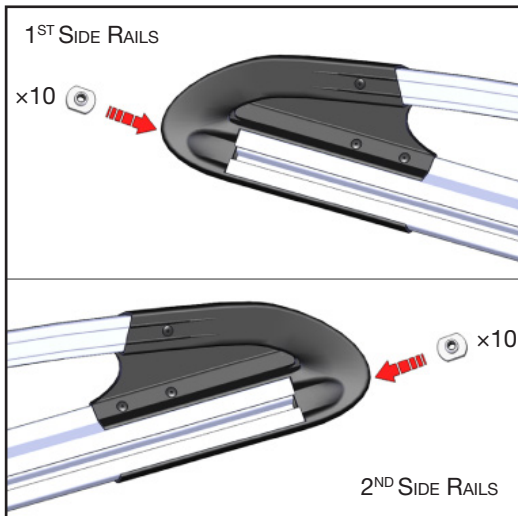
2.1.6 Attach the Rear feet.



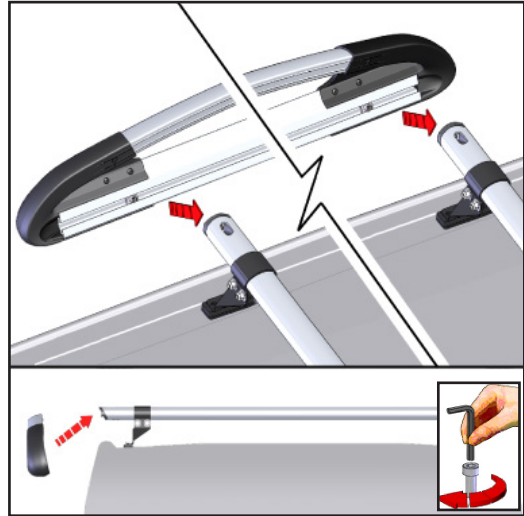
2.1.7 Install 4 bars in the feet.



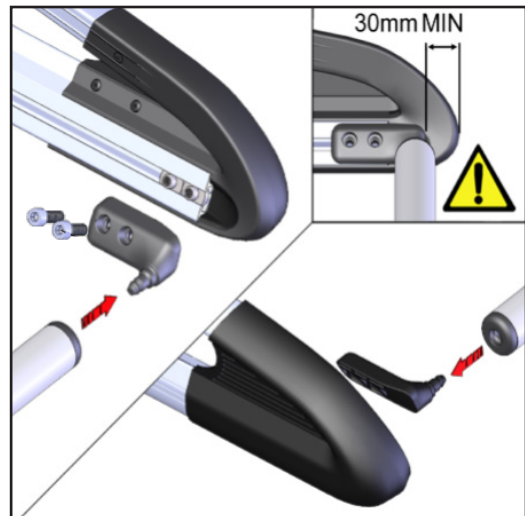
2.1.8 Slide 10pcs. of channel nuts in each side rails.



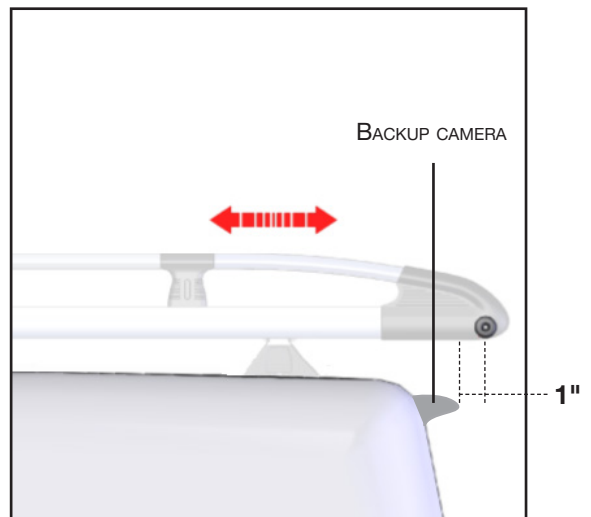
2.1.9 Attach the 2 side rails on both ends of the bar, using the 1st, 3rd, 5th & 8th Channel nuts from the front.

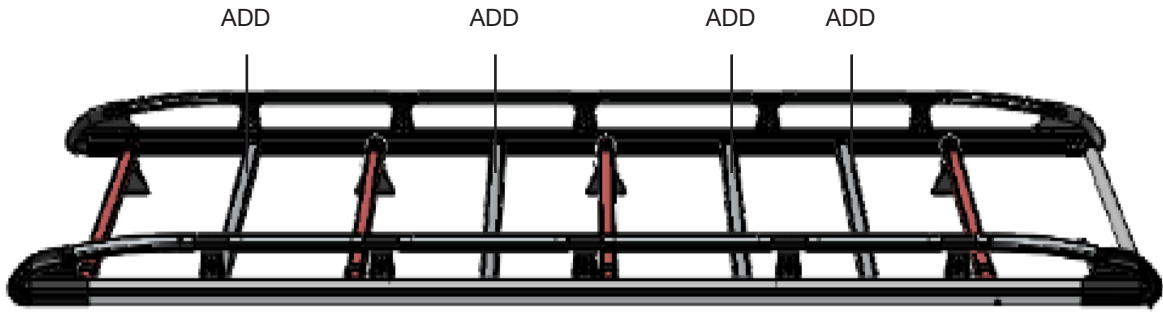


2.1.10 Attach the roller to the side rails using the 2 last channel nuts from the front.

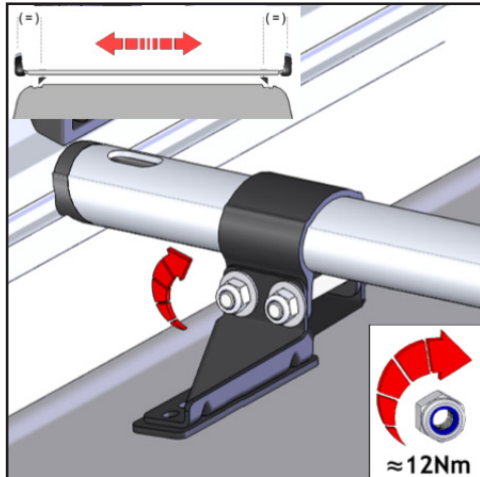


2.1.11 Slide the rack to the appropriate position.

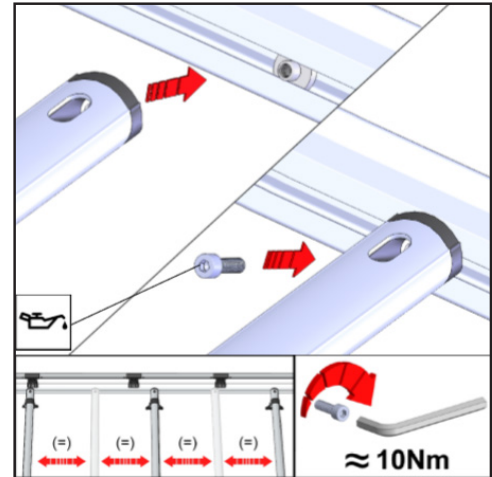




2.1.12 Center the bar on the vehicle.

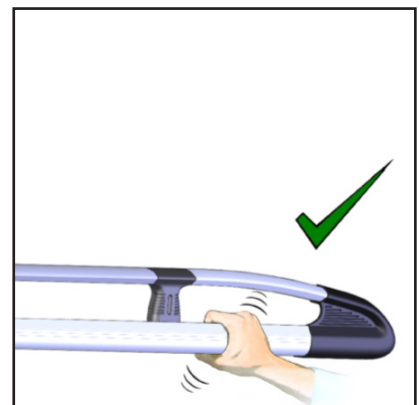
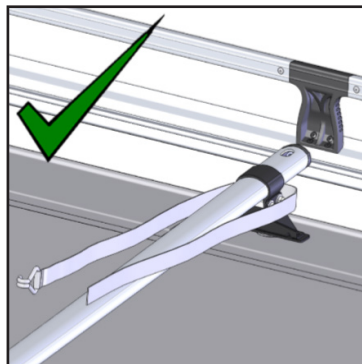
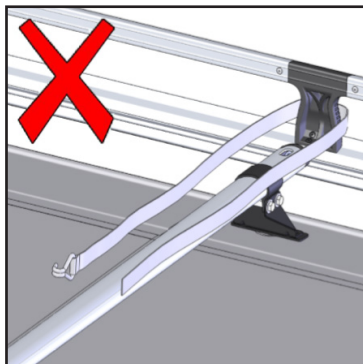
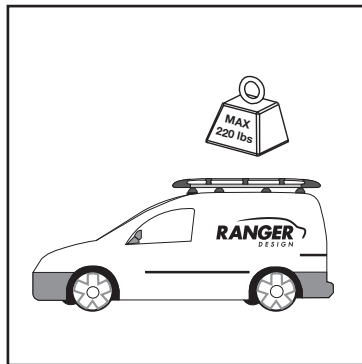
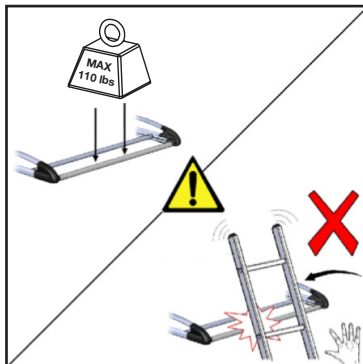


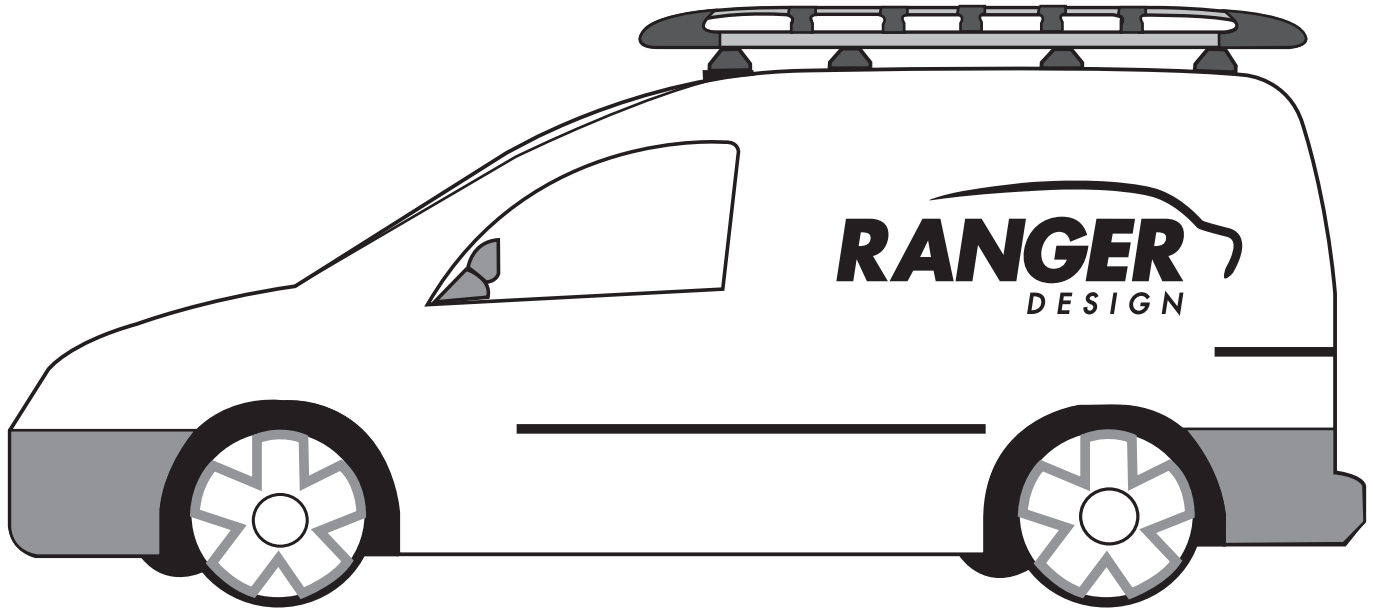
2.1.13 Attach the remaining 4 bars.



PHASE 3 – TIPS

3.1 SAFETY TIPS





**“You have successfully installed your
1506-M Cargo Rack**

Thank you for doing business with us.”

For any feedback or suggestions you may have, please contact: cs@rangerdesign.com

