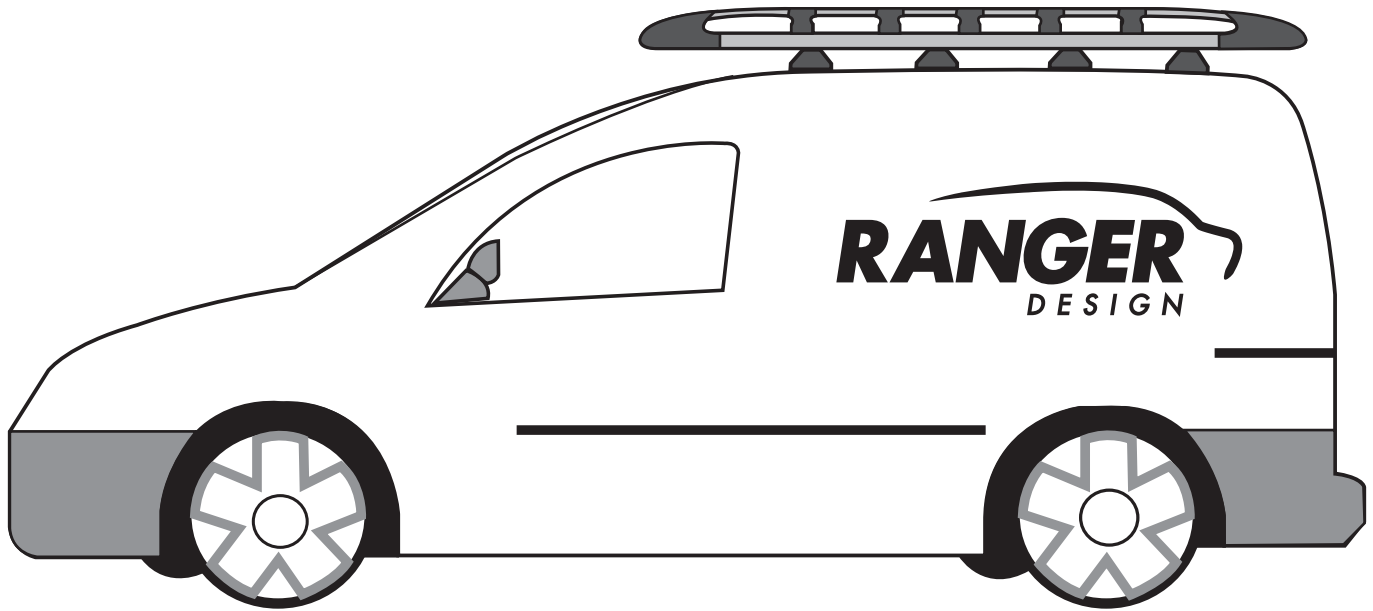


INSTALLATION GUIDE



1506-NL Cargo Plus

Nissan NV LOW ROOF

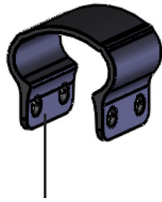


PHASE 1 – ASSEMBLY

1.1 SETUP

1.1.2 Verify all parts are present.

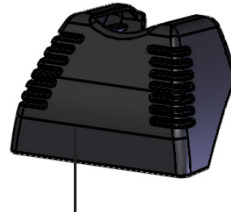
15-U4007 BOX



SADDLE EXTRUSION x8



FOOT x8



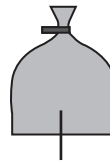
FOOT COWL x8



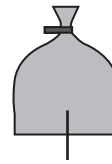
ROLLER SUPPORT "R" x1



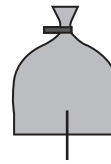
ROLLER SUPPORT "L" x1



CFK - 1 x2

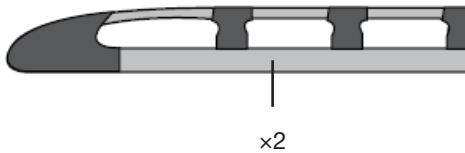


CFK - 2 x1

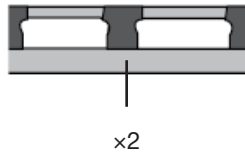


CFK - 3 x1

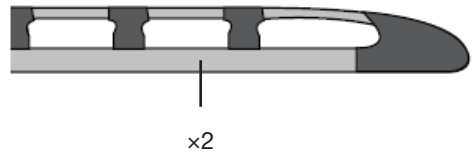
15-U1002 BOX



x2



x2



x2

15-U3002 BOX



BAR x3



ROLLER x1

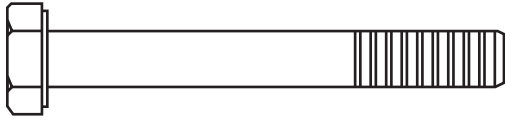
15-U2002 BOX



BAR x6

ONE BAR EXTRA

HARDWARE



(M8 x 65) x16



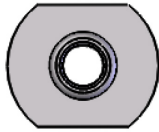
(M6 x 16) x16



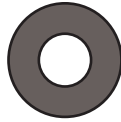
(M8) x34



(M8) x20



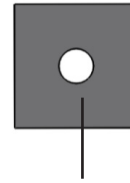
(M8) x22



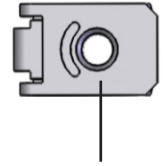
(M8) x32



(M6) x16



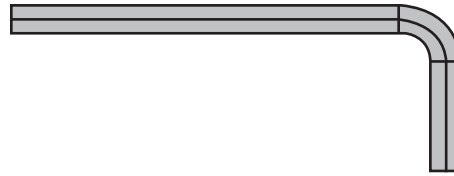
RUBBER WASHER x16



Clip Nut x16

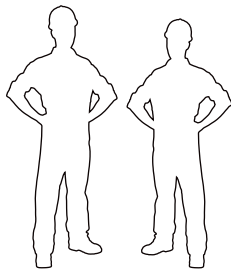


(M6) x16

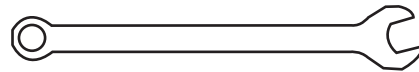


(M8) x1

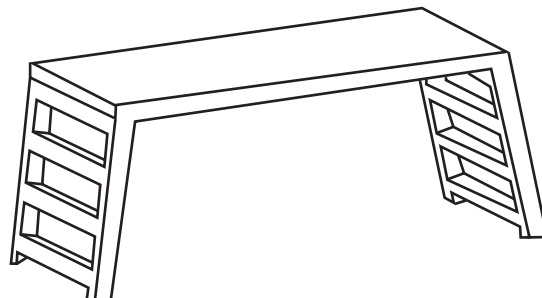
REQUIRED ITEMS



2
PERSONS



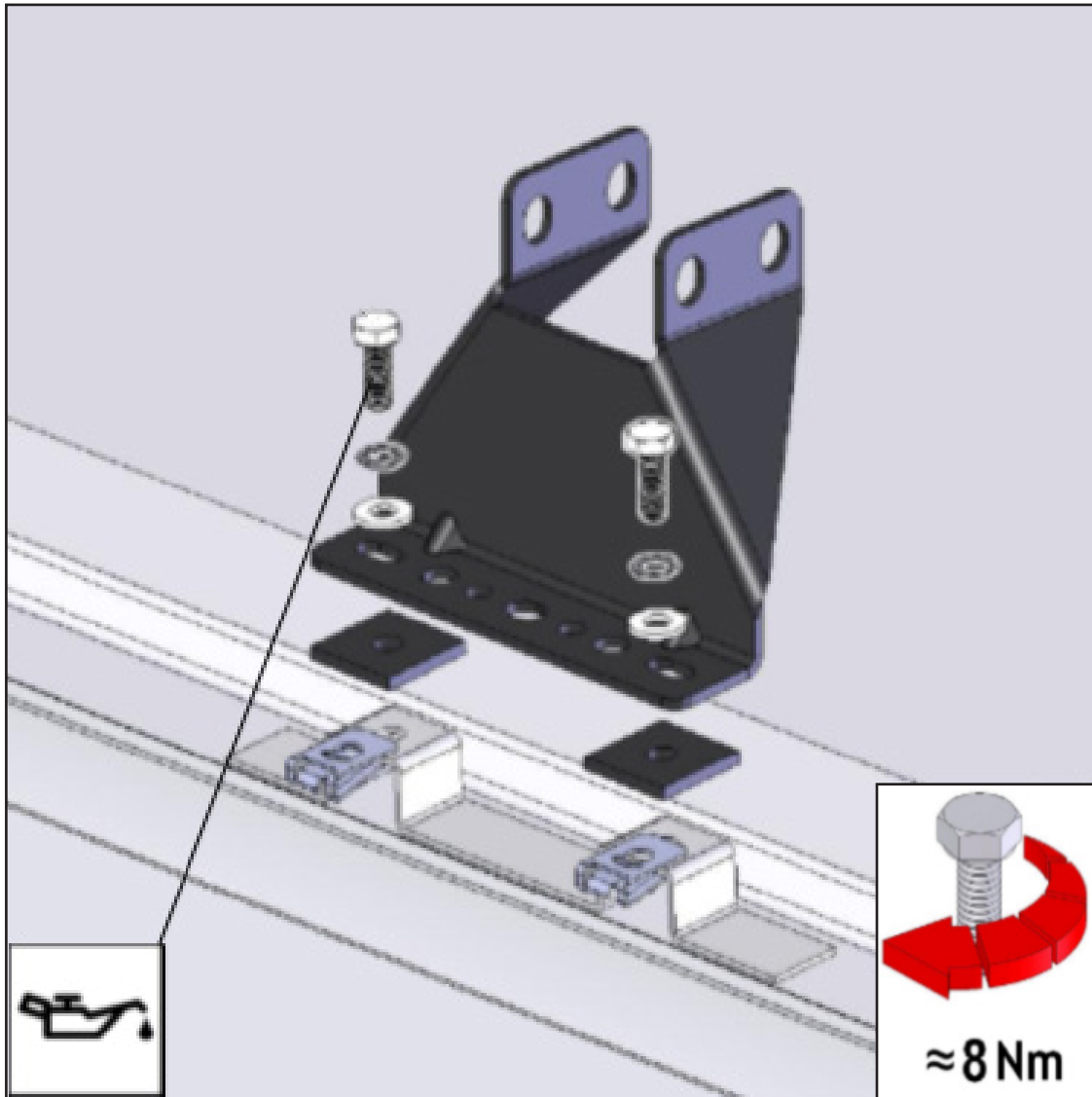
13mm x2



PHASE 2 – INSTALLATION

2.1 INSTALLATION

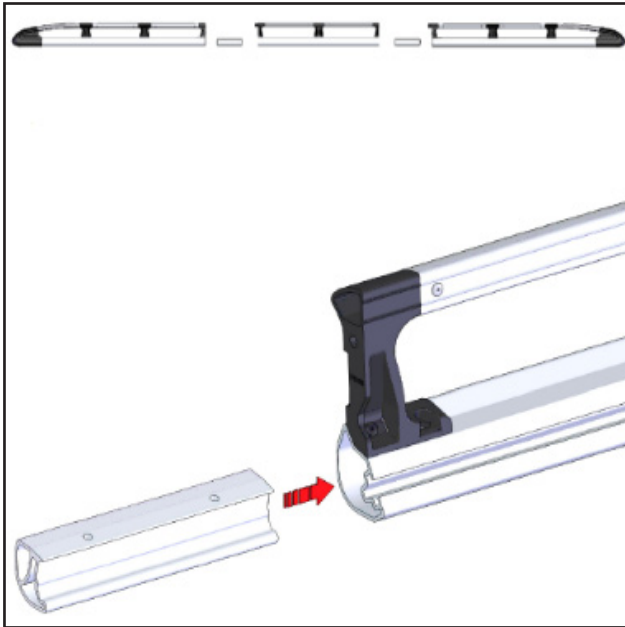
2.1.1 Install the feet.



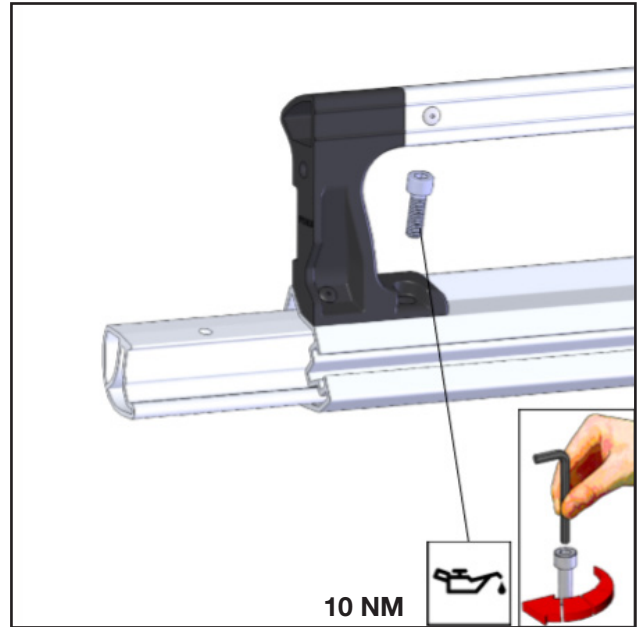
2.1.2 Connect the 3 side rails parts.

2x

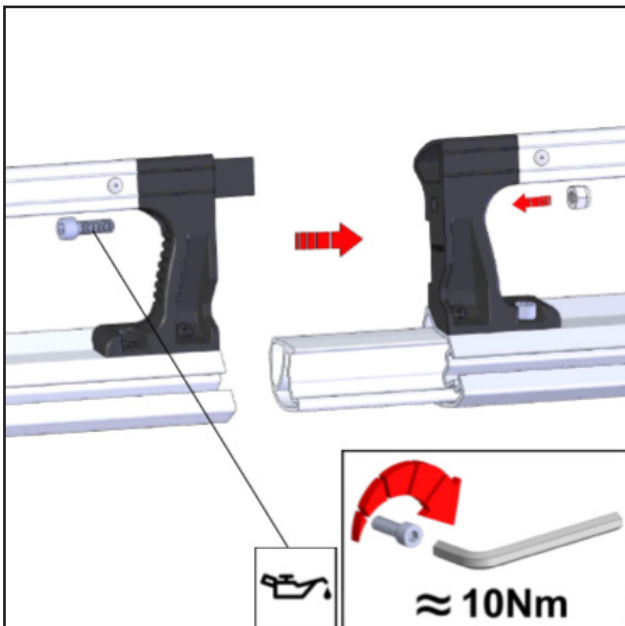
STEP 1



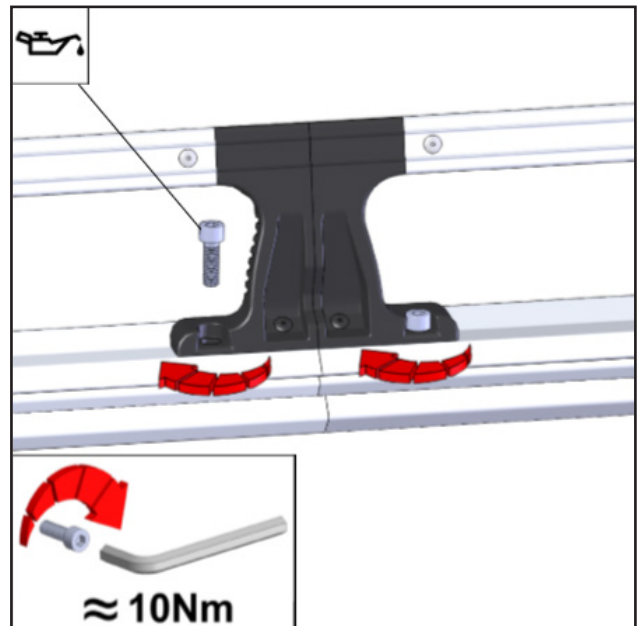
STEP 2



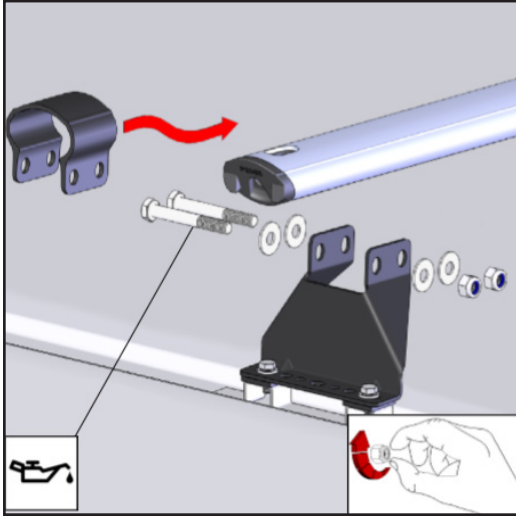
STEP 3



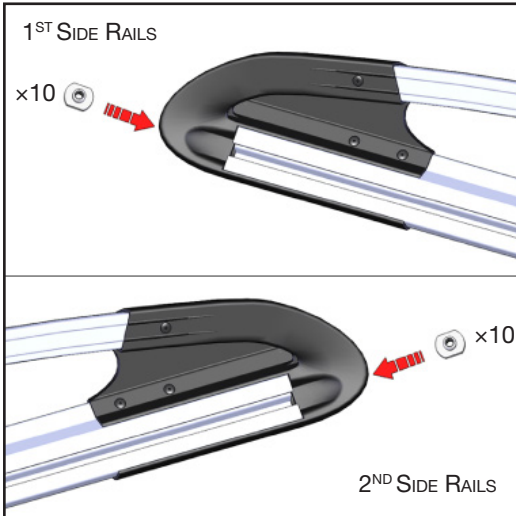
STEP 4



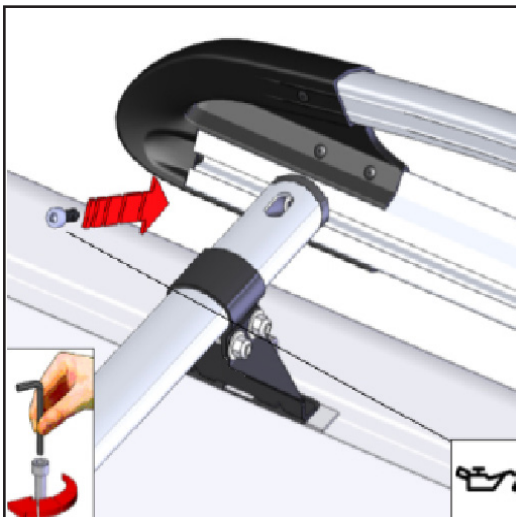
2.1.3 Install 4 bars in the feet.



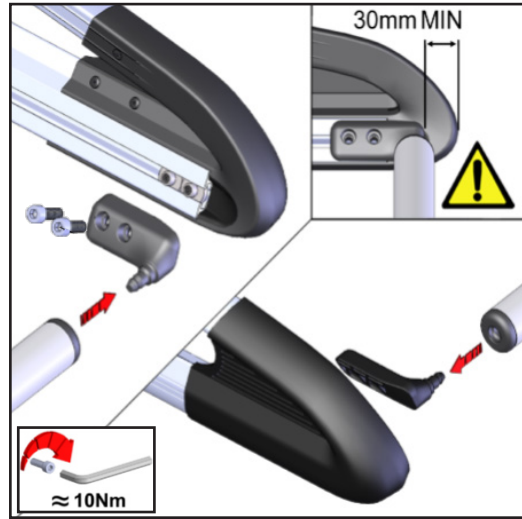
2.1.4 Slide 10pcs. of channel nuts in each side rails.



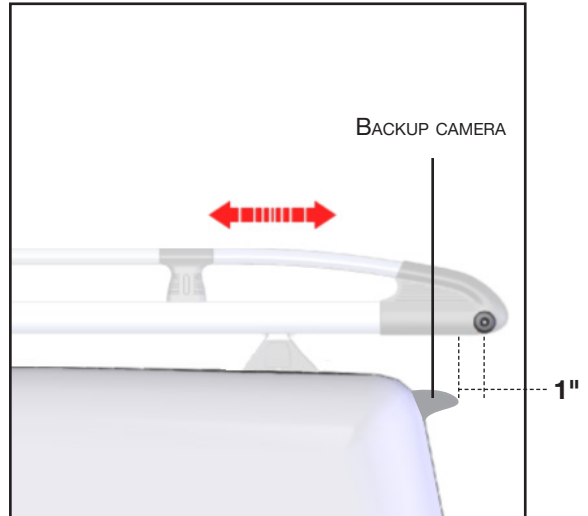
2.1.5 Attach the 2 side rails on both ends of the bar, using the 1ST, 3RD, 5TH & 7TH Channel nuts from the front.



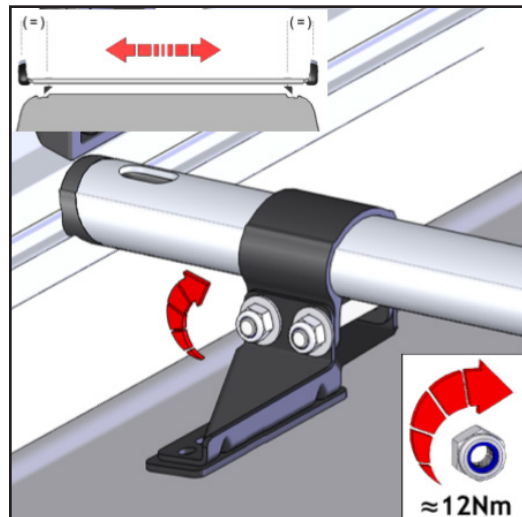
2.1.6 Attach the roller to the side rails using the 2 last channel nuts from the front.

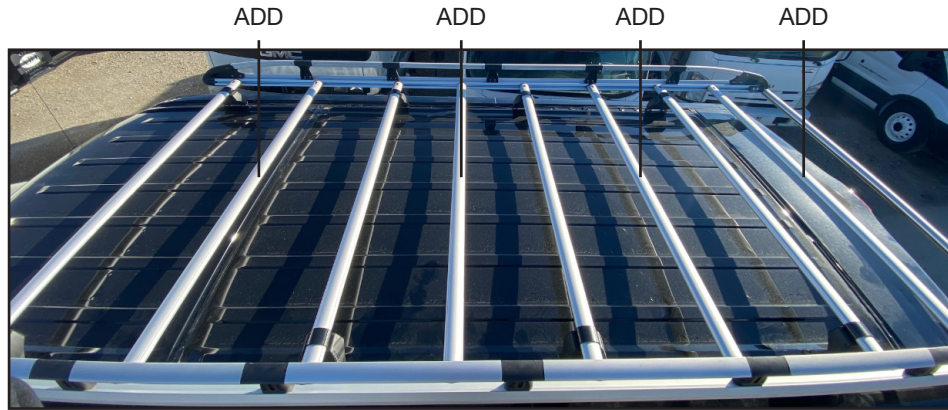


2.1.7 Slide the rack to the appropriate position.

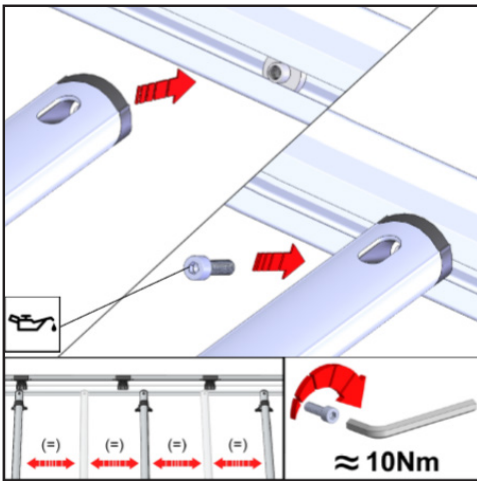


2.1.8 Center the bar on the vehicle.

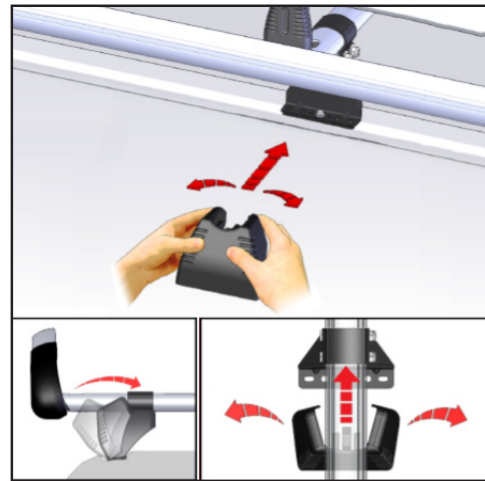




2.1.9 Attach the 5 bar.

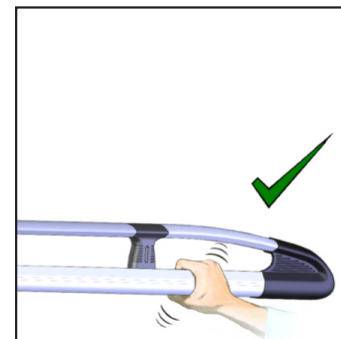
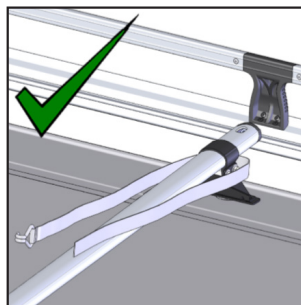
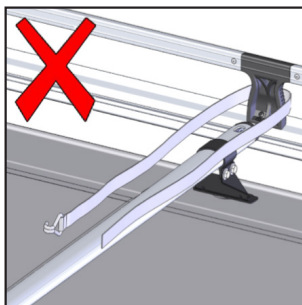
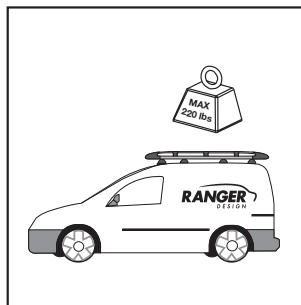
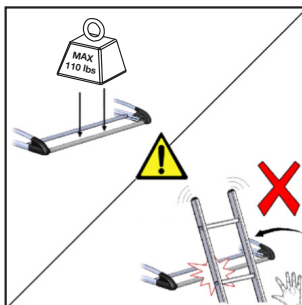


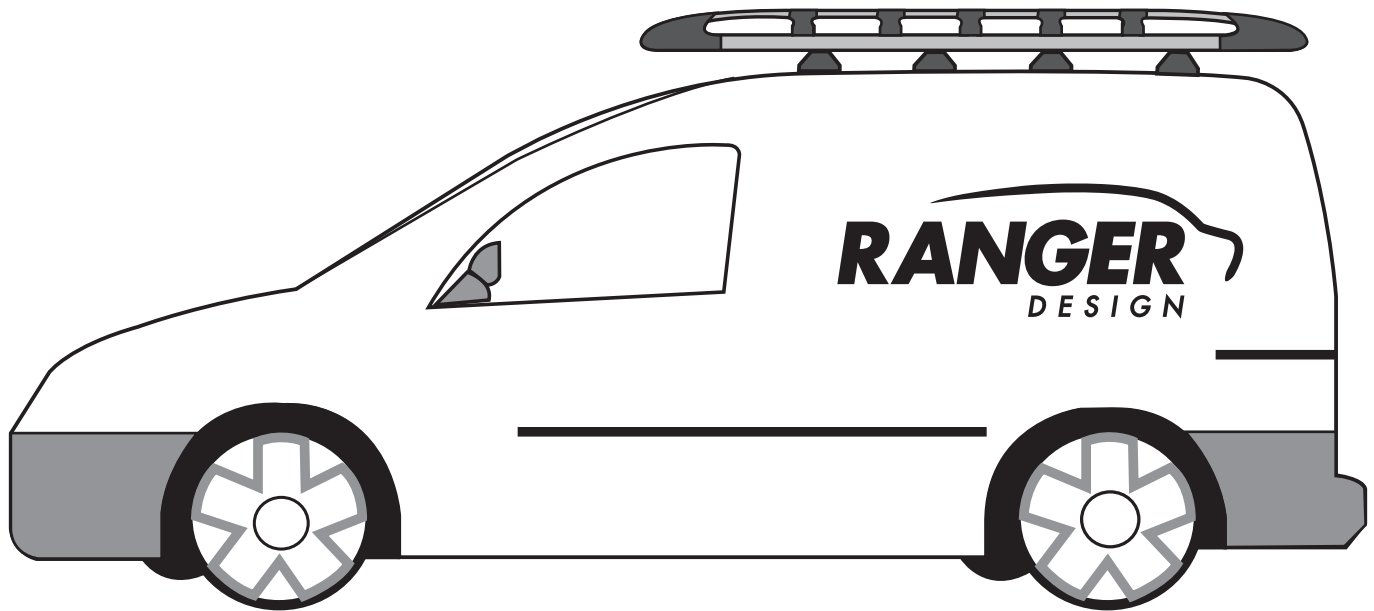
2.1.10 Attach the foot cowl to the foot.



PHASE 3 – TIPS

3.1 SAFETY TIPS





**“You have successfully installed your
1506-NL Cargo Plus**

Thank you for doing business with us.”

For any feedback or suggestions you may have, please contact: cs@rangerdesign.com

