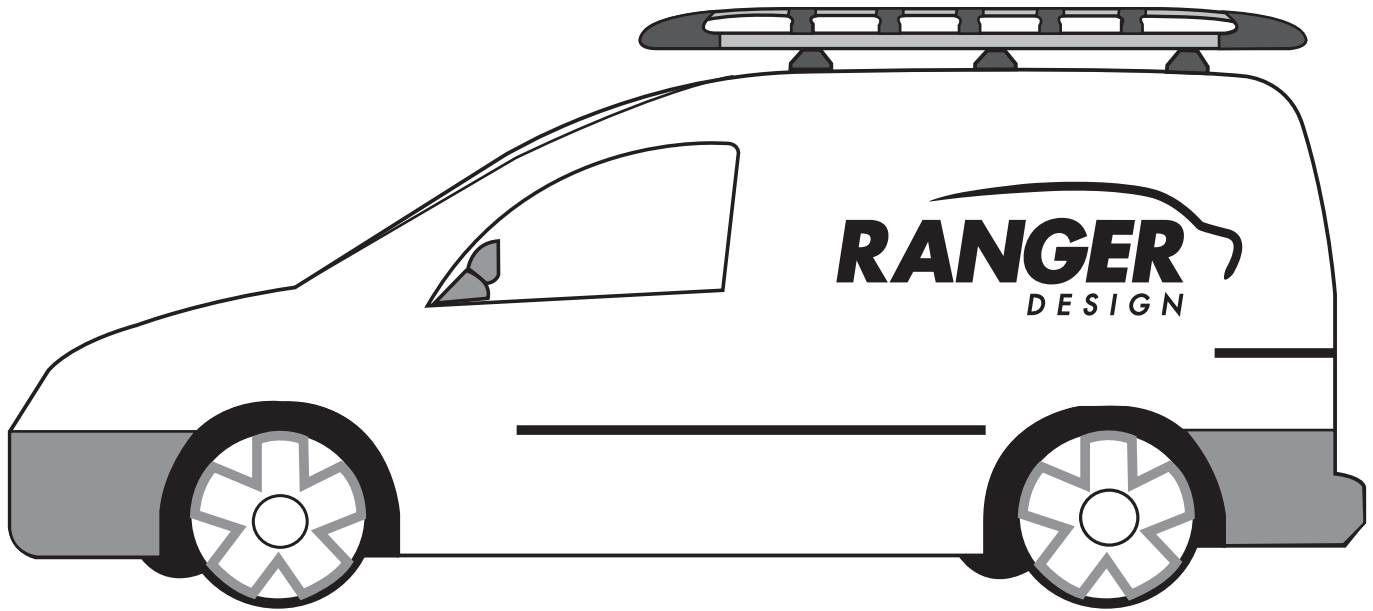


# INSTALLATION GUIDE



## 1506-PHS Cargo Plus

RAM Promaster 118" Wheelbase

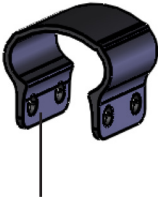


# PHASE 1 – ASSEMBLY

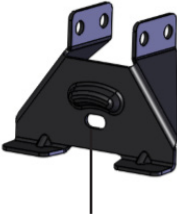
## 1.1 SETUP

1.1.2 Verify all parts are present.

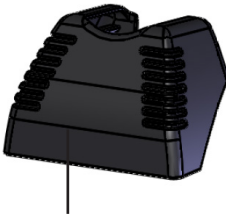
### 15-U4004 BOX



SADDLE EXTRUSION x6



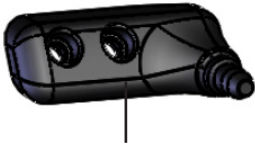
FOOT x6



FOOT COWL x6



RUBBER SPACER x6



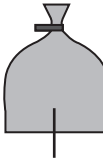
ROLLER SUPPORT "R" x1



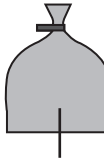
ROLLER SUPPORT "L" x1



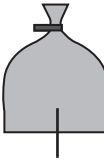
FOOT CLAMP x6



CFK - 1 x1

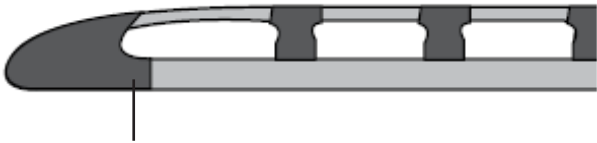


CFK - 2 x1

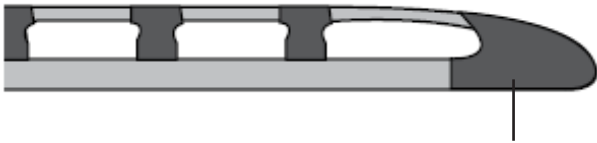


CFK - 3 x1

### 15-U1001 BOX



SIDE RAILS x2



SIDE RAILS x2

### 15-U3002 BOX



BAR x3



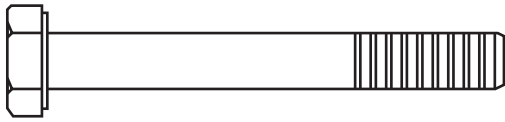
ROLLER x1

### 15-U2002 BOX



BAR x6

# HARDWARE



(M8 x 65) x12



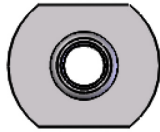
(M8 x 40) x6



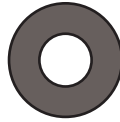
(M8) x28



(M8) x20



(M8) x22



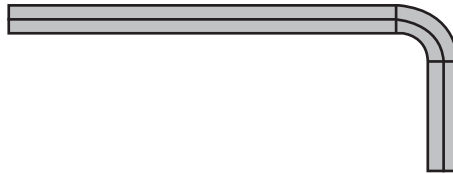
(M8) x24



(M8) x12

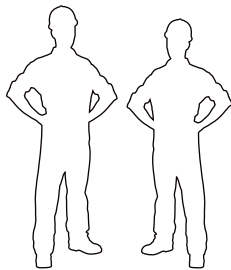


(M8) x6

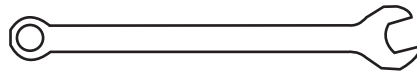


(M8) x1

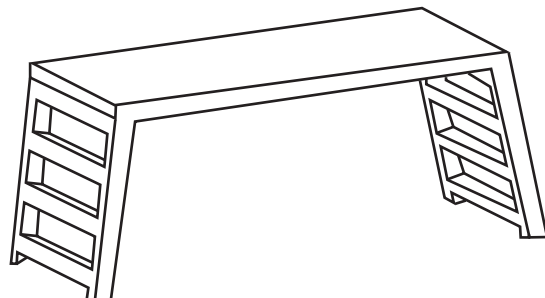
# REQUIRED ITEMS



**2**  
**PERSONS**



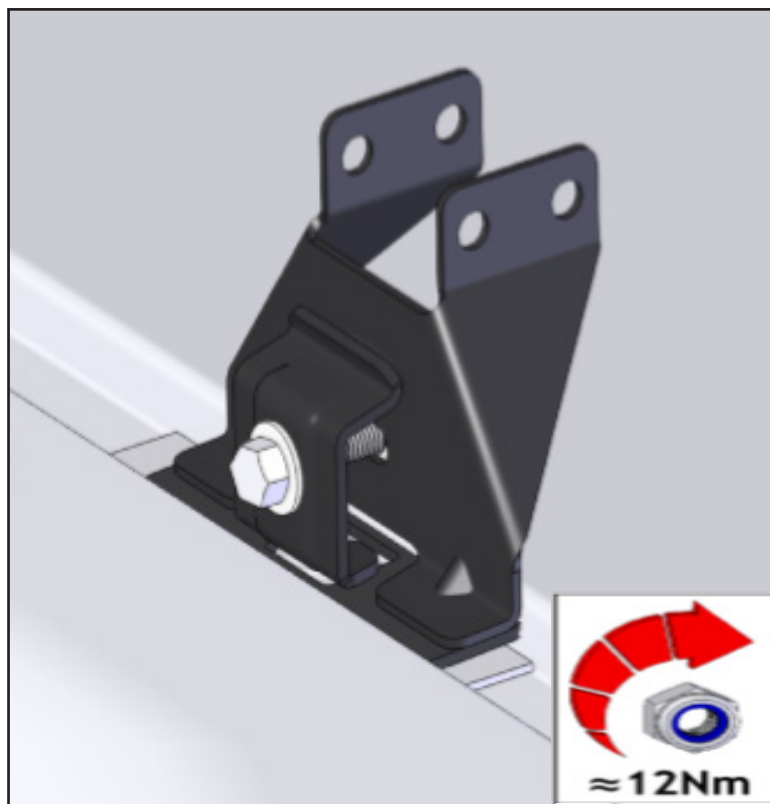
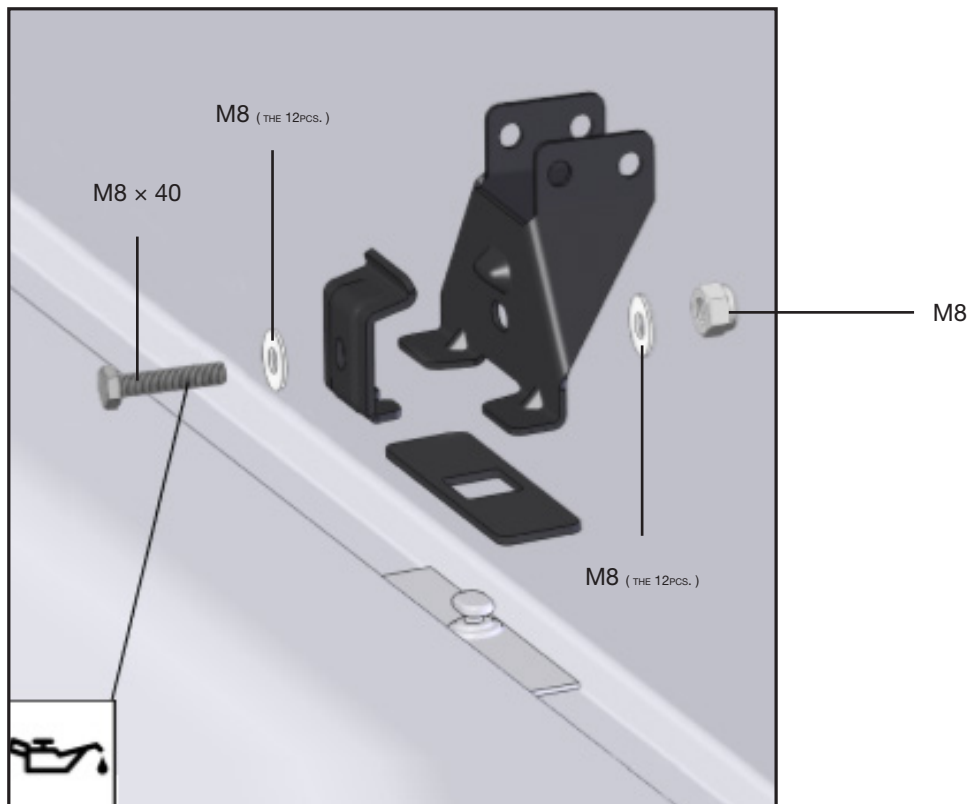
13mm x2



# PHASE 2 – INSTALLATION

## 2.1 INSTALLATION

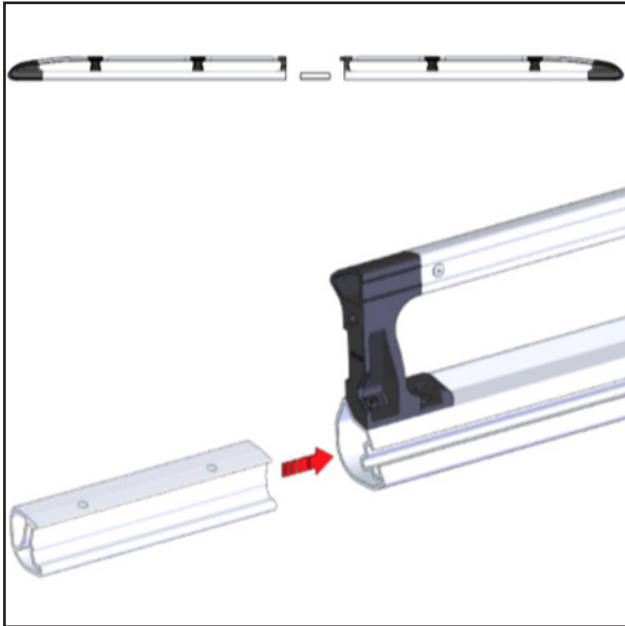
### 2.1.1 Install the feet.



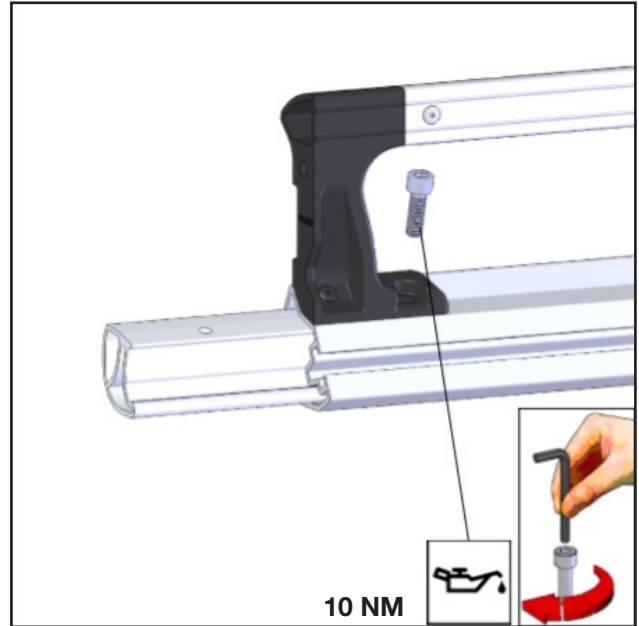
2.1.3 Connect the 2 side rails parts.

2x

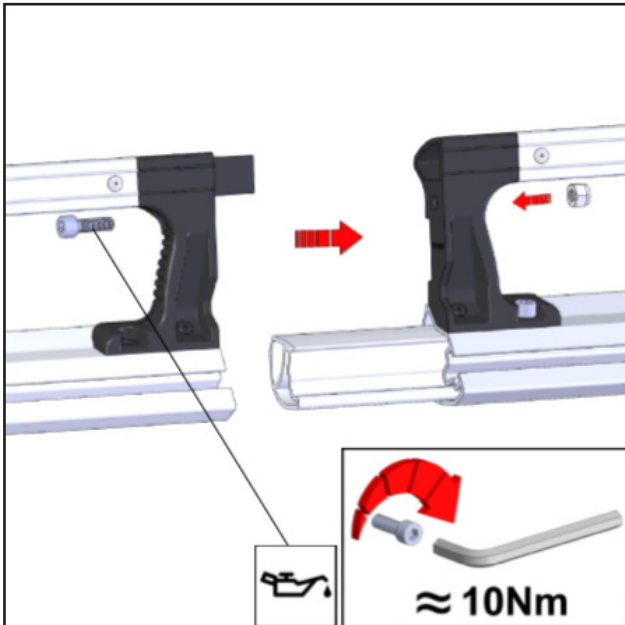
STEP 1



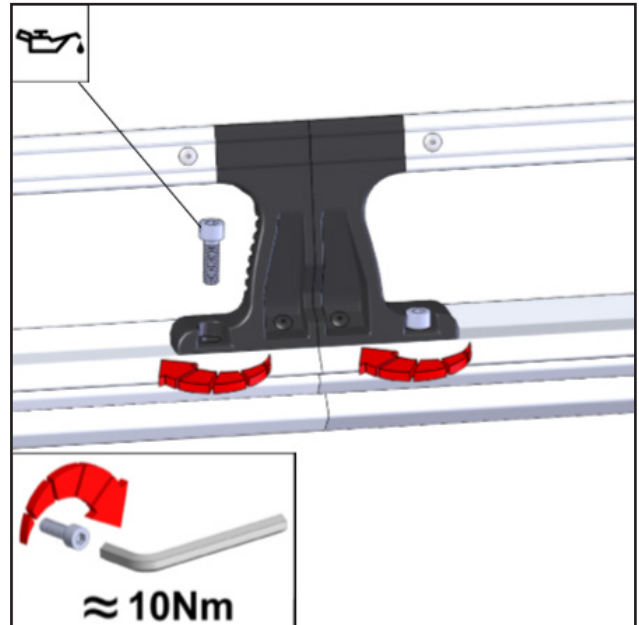
STEP 2



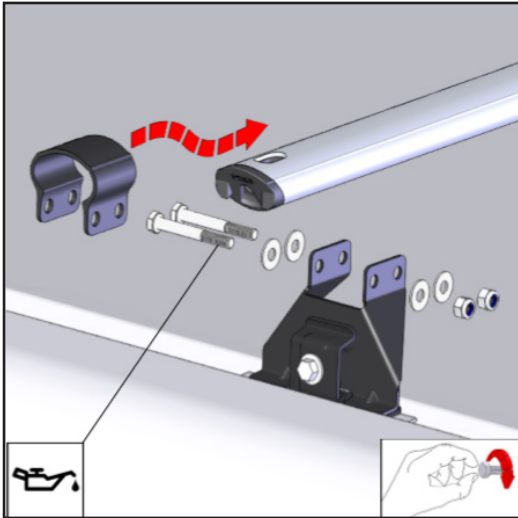
STEP 3



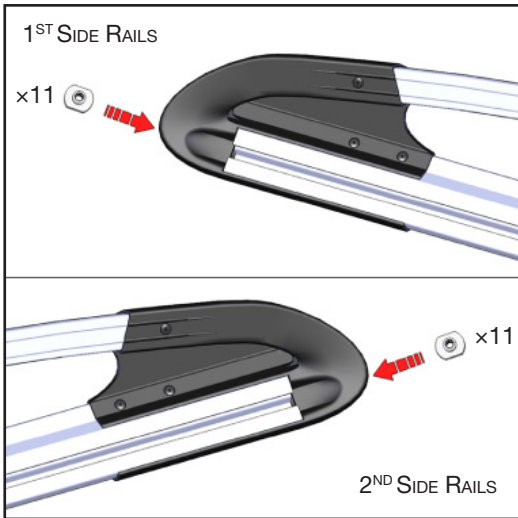
STEP 4



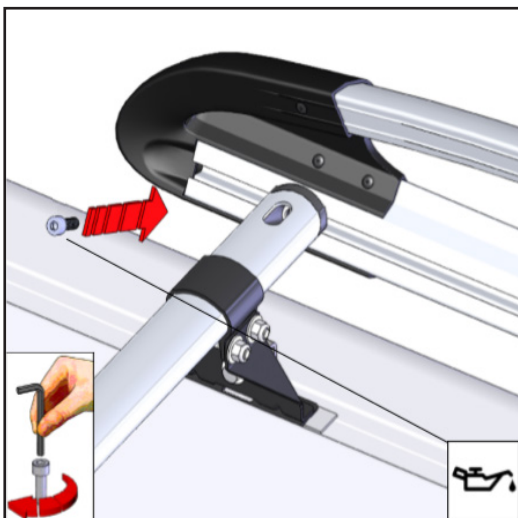
**2.1.3** Install 3 bars in the feet.



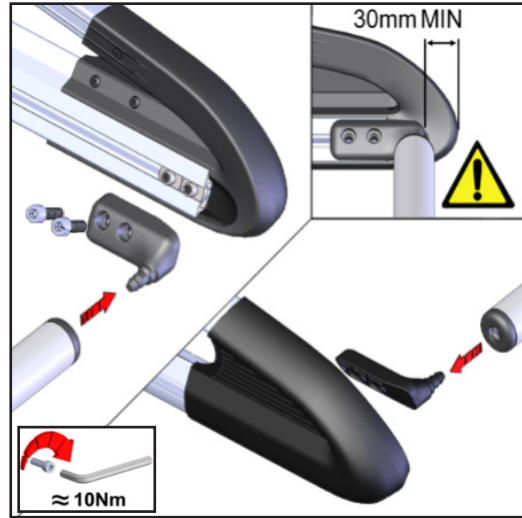
**2.1.4** Slide 11 pcs. of channel nuts in each side rails.



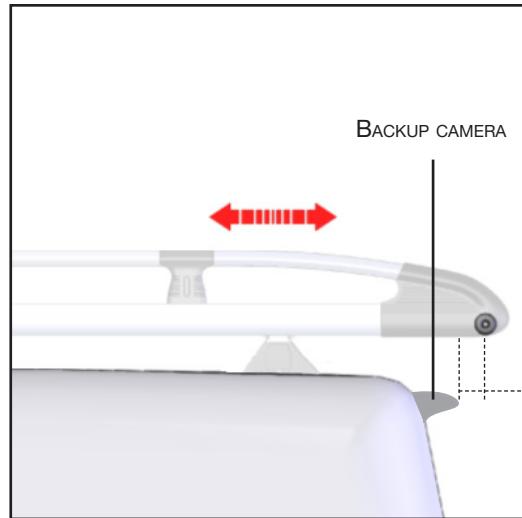
**2.1.5** Attach the 2 side rails on both ends of the bar, using the 2<sup>ND</sup>, 5<sup>TH</sup> & 8<sup>TH</sup> Channel nuts from the front.



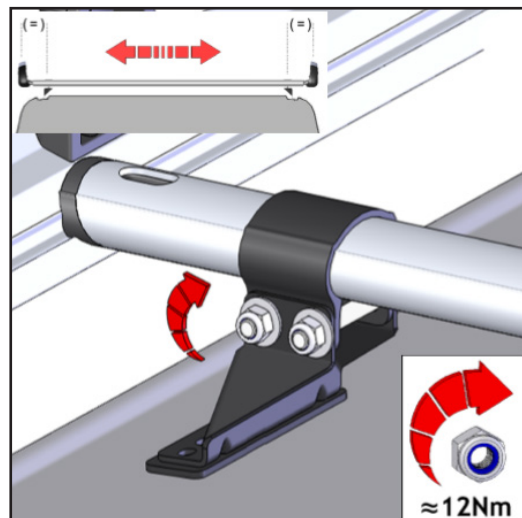
**2.1.6** Attach the roller to the side rails using the 2 last channel nuts from the front.

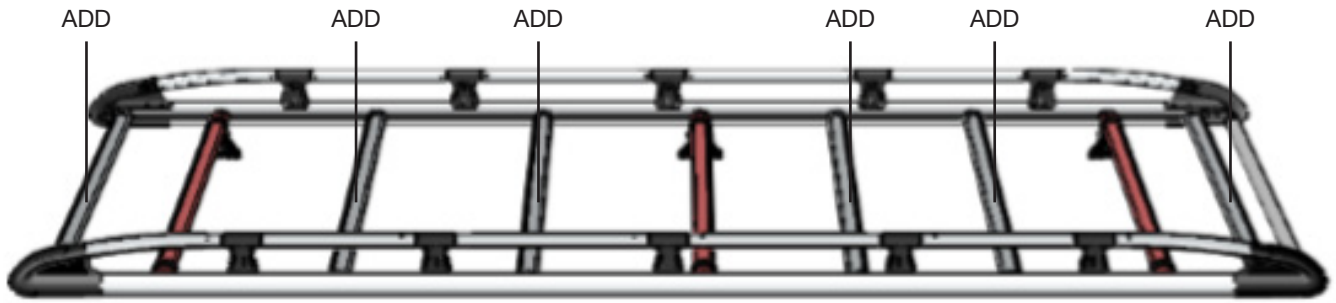


**2.1.7** Slide the rack to the appropriate position.

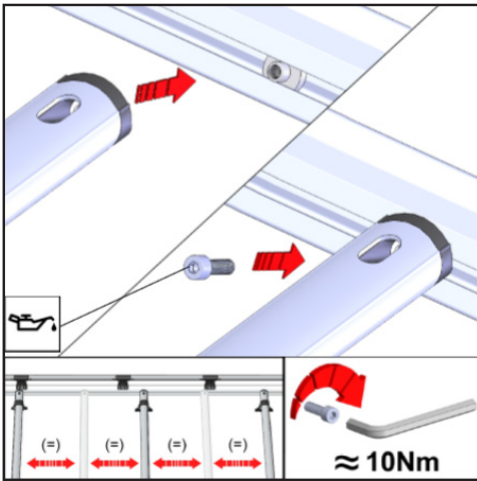


**2.1.8** Center the bar on the vehicle.

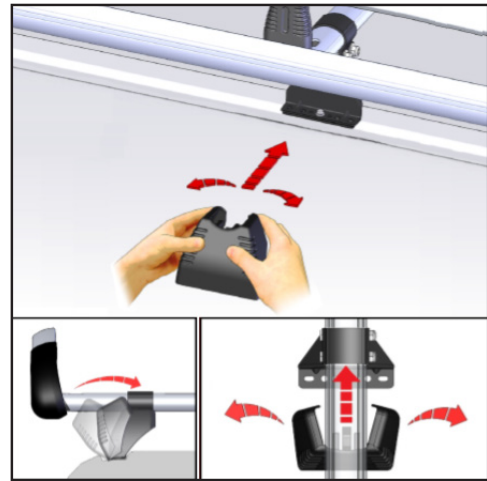




2.1.9 Attach the 6 bar.

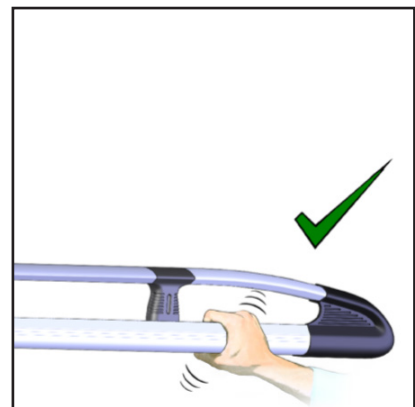
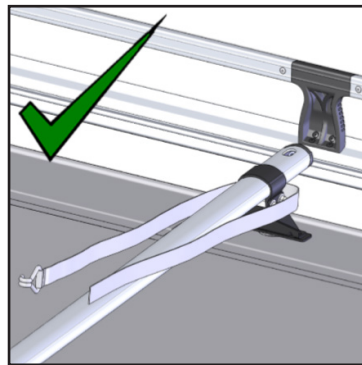
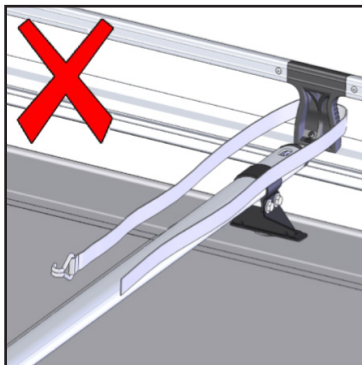
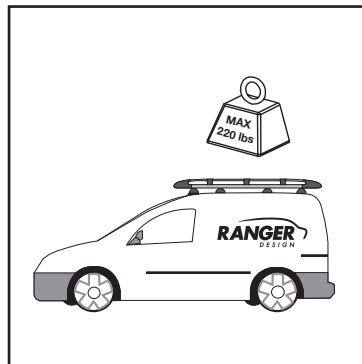
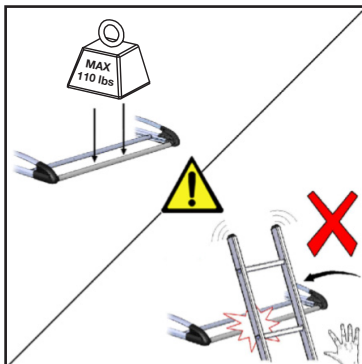


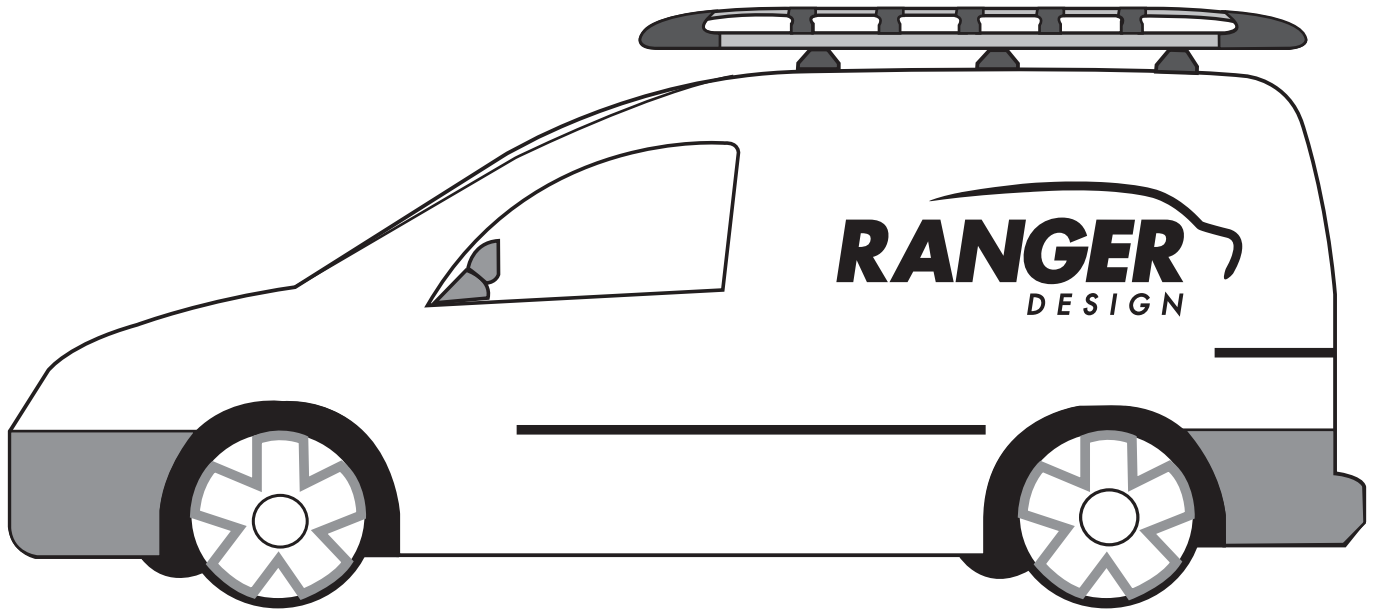
2.1.10 Attach the foot cowl to the foot.



## PHASE 3 – TIPS

### 3.1 SAFETY TIPS





**“You have successfully installed your  
1506-PHS Cargo Plus**

**Thank you for doing business with us.”**

For any feedback or suggestions you may have, please contact: [cs@rangerdesign.com](mailto:cs@rangerdesign.com)

