

LEGEND FLEET SOLUTIONS

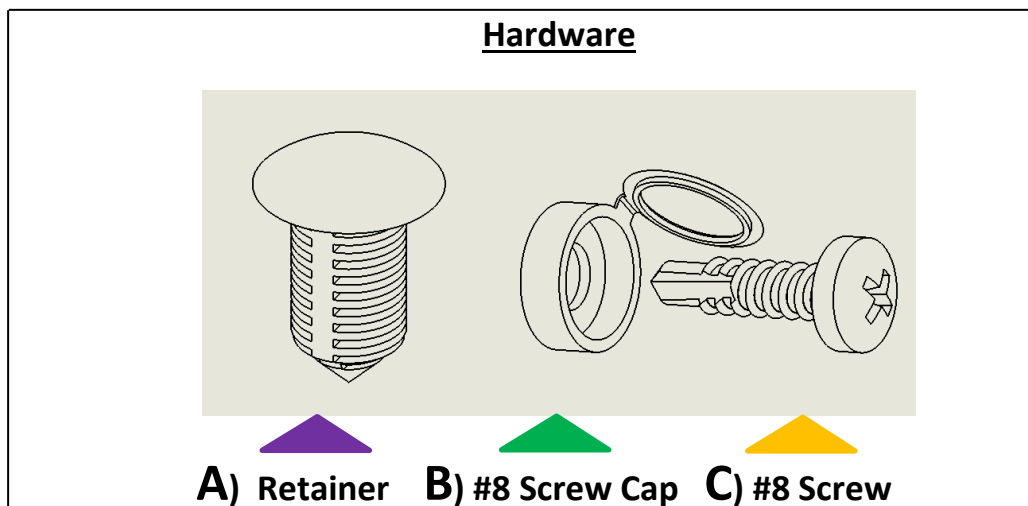
SPRINTER 144" WB HIGH ROOF WALL LINERS

INSTALLATION INSTRUCTIONS

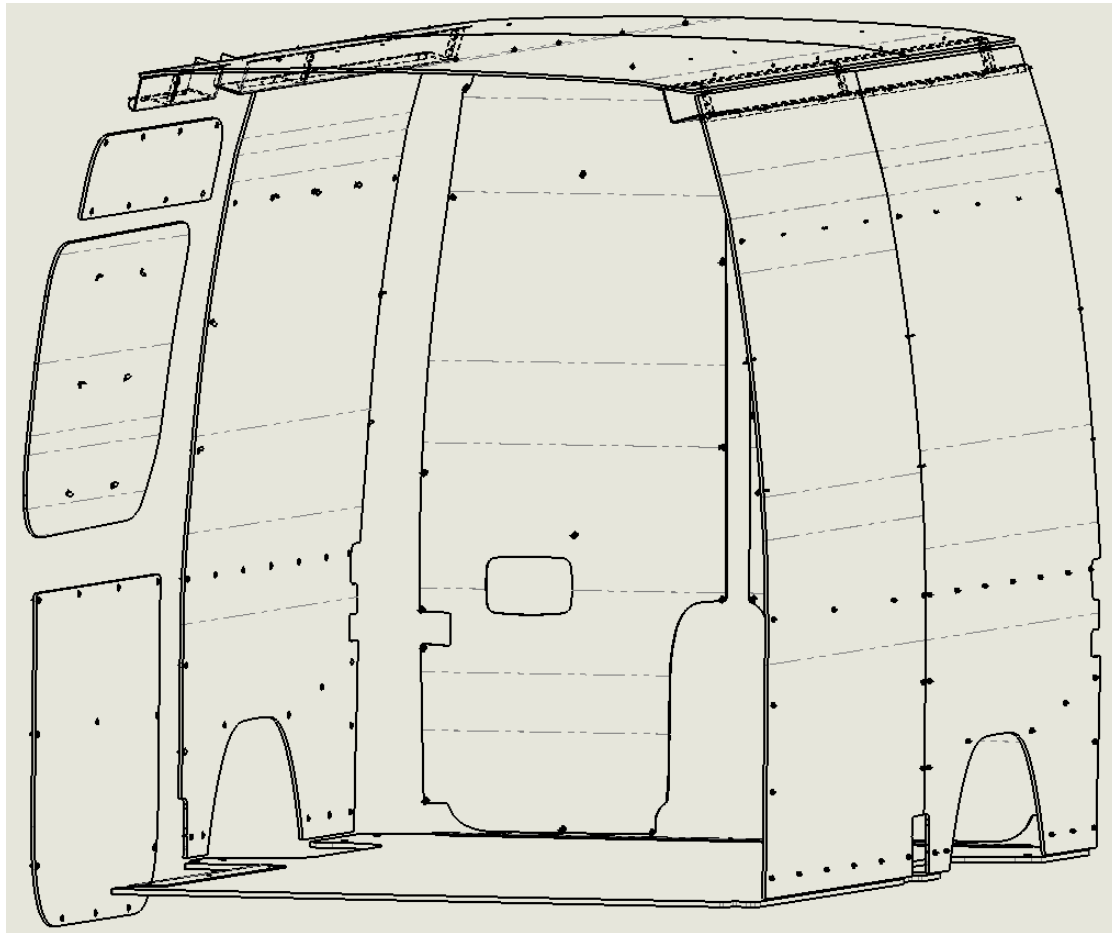


NOTES:

1. Before commencing, remove all wall liners and "D" Rings already installed in the vehicle.
2. Consult layout PDF and compare vehicle layout allocated Legend.
3. Prepare hardware shown below and have them ready for installation.
4. Wall liners will be installed in the order shown in the instructions.
5. A drill with a Phillips driver is required to install hardware (**C**) #8 Screws, shown below.
6. Reinstall all "D" Rings once the wall liner kit installation is completed.



SPRINTER 144" WB HIGH ROOF WALL LINERS



ITEM NO.	PART NUMBER	DESCRIPTION	QTY.
1	103-114-2613.HR	GREY UPPER PANEL SLIDING DOOR SPRINTER HR	1
2	103-114-2613.HR	GREY MIDDLE DOOR PANEL SLIDING GOOR SPRINTER HR	1
3	103-114-2613.HR	GREY BOTTOM PANEL SLIDING DOOR SPRINTER HR	1
4	RETAINER	RETAINER- BLACK NYLON	92
5	SCREW CAP	SCREW CAP	58
6	SCREW	SCREW - PHIL. PAN HD #8X.75 SELF DRILLING	116
7	124-114-2613.HR	GREY FRONT A DRIVER SIDE PANEL SPRINTER 144" WB HR	1
8	124-114-2613.LR	GREY REAR DRIVER SIDE PANEL SPRINTER 144" WB LR	1
9	124-114-2613.HR	GREY REAR PASSENGER SIDE PANEL SPRINTER 144 WB HR	1
10	125-114-2613.HR	GREY CEILING FRONT PANEL SPRINTER 144" WB HR	1
11	125-114-2613.HR	GREY CEILING REAR PANEL SPRINTER 144" WB HR	1
12	103-114-2613.HR	GREY REAR DOOR PANEL DRIVER SIDE SPRINTER HR	1
13	103-114-2613.HR	GREY REAR DOOR PANEL PASSENGER SIDE SPRINTER HR	1
14	127-151-1010.HR	SILL-B SPRINTER 144" WB HR	1
15	127-151-1010.HR	SILL-D SPRINTER 144" WB HR	1
16	127-151-1010.HR	SILL-D-1 SPRINTER 144" WB HR	1
17	127-151-1010.HR	SILL-E SPRINTER 144" WB HR	1
18	127-151-1010.HR	SILL-F SPRINTER 144" WB HR	1
19	127-151-1010.HR	SILL-A-1 SPRINTER 144" WB HR	1
20	127-151-1010.HR	SILL-A SPRINTER 144" WB HR	1
21	147-151-1010	SILL-C SPRINTER 170" EXT WB HR	1
22	127-151-1010.HR	SILL-C-1 SPRINTER 144 WB HR	1
23	122-xxx-6441	FLOOR - SPRINTER 144"	1
24	108-151-1010	SILL - FLOOR- REAR - SPRINTER	1
25	106-151-1010	SILL - FLOOR - SIDE DOOR - SPRINTER	1
26	127-151-1010.HR	TOP SILL JOINER PLATE SPRINTER 144" WB HR	6

Note: Model may differ depending if the vehicle purchased came with an OEM partition or not.

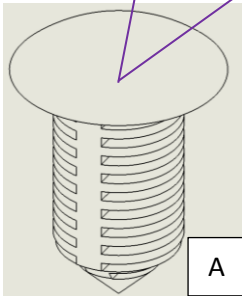
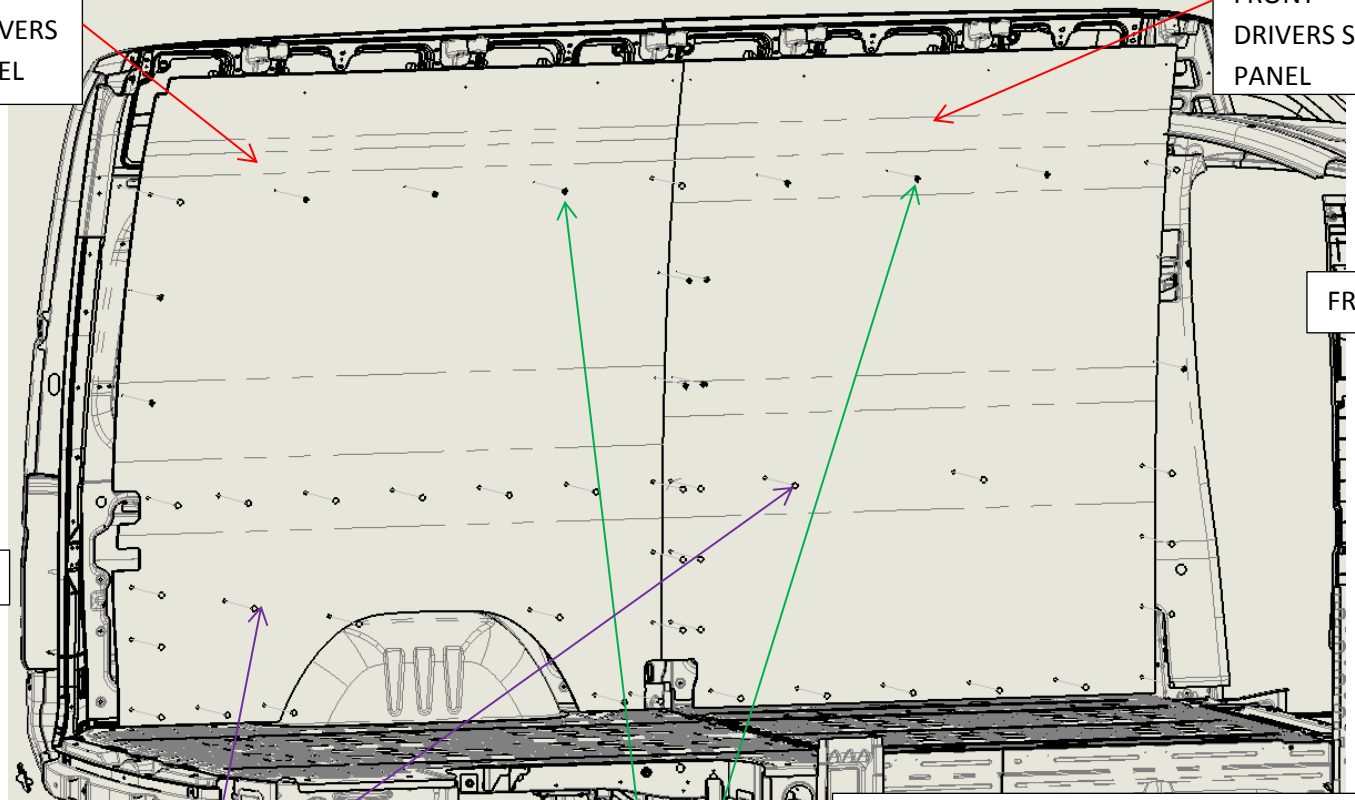
Driver Side Wall Liner Installation

ITEM 8
REAR DRIVERS
SIDE PANEL

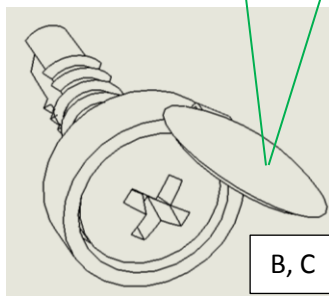
ITEM 7
FRONT
DRIVERS SIDE
PANEL

REAR

FRONT



A



B, C

Installation completed

Note: If a rear view camera option is installed, bend and

break downwards at the break lines the top section of all the wall panels so they fits under the plastic tubing. This can also be cut off if desired.

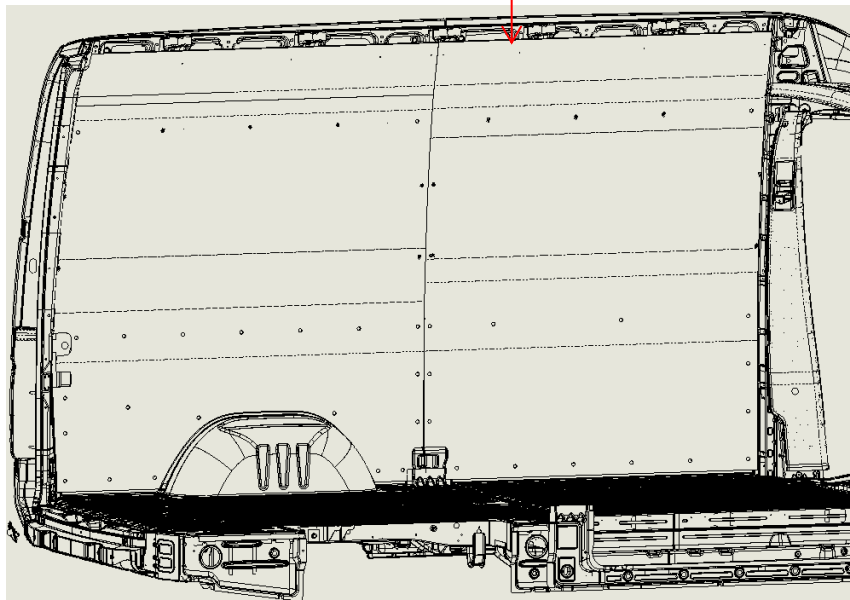
1: Install Item 7, Front Driver Side Panel.

- Align notch and edge of panel with the feature on the vehicle driver side front then align opposite side of panel edge with the contour features.
- Install hardware (A) and (B,C), in the holes provided, on the bottom of the panel first, working your way up the panel to the top.

2: Install Item 8, Rear Driver Side Panels.

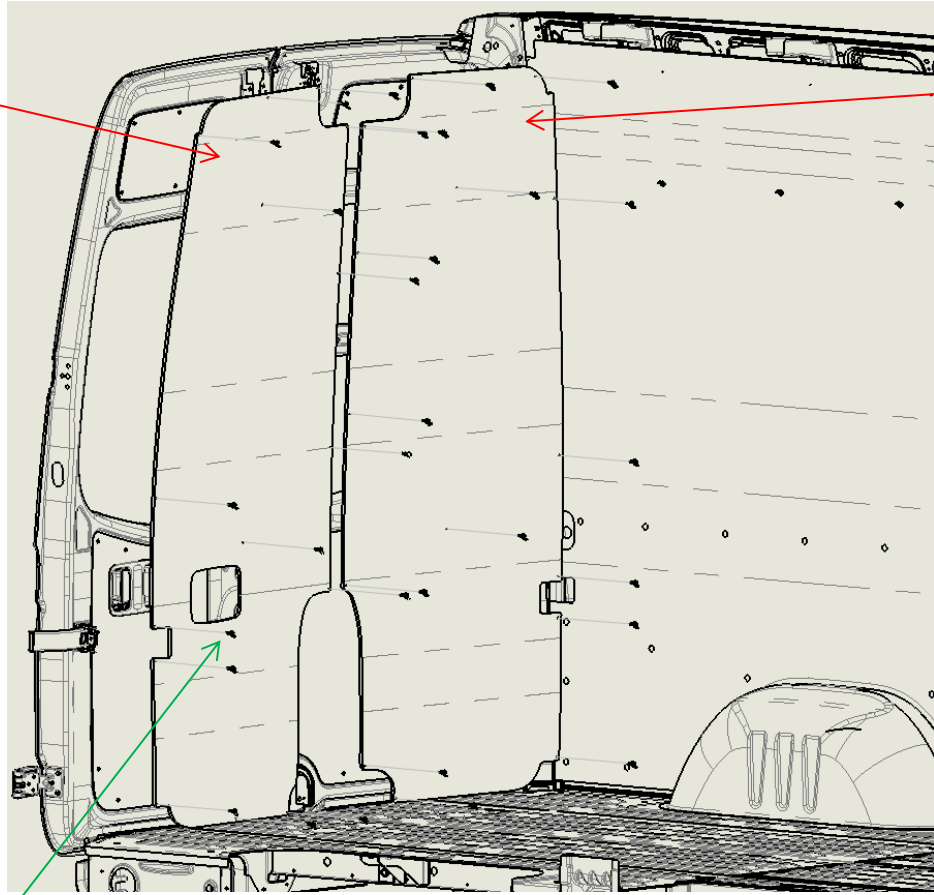
- Align wheel well edge of the panel with the feature on the vehicle; position the contour of the panel to the vehicle wall.
- Install hardware (A) and (B,C), in the holes provided, on the bottom of the panel first, working your way up the panel to the top.

NOTE: DO NOT INSTALL HARDWARE IN THE HOLES AT THE TOP OF THE PANELS, THESE ARE USED FOR THE SILL INTALLATION

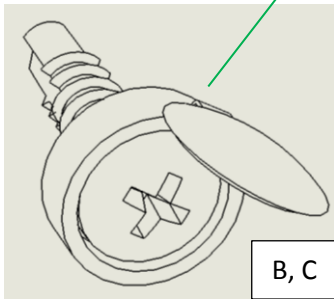


Back Door Wall Liner Installation

ITEM 13
REAR DOOR
PASSENGER SIDE
PANEL



ITEM 12
REAR DOOR
DRIVERS SIDE
PANEL

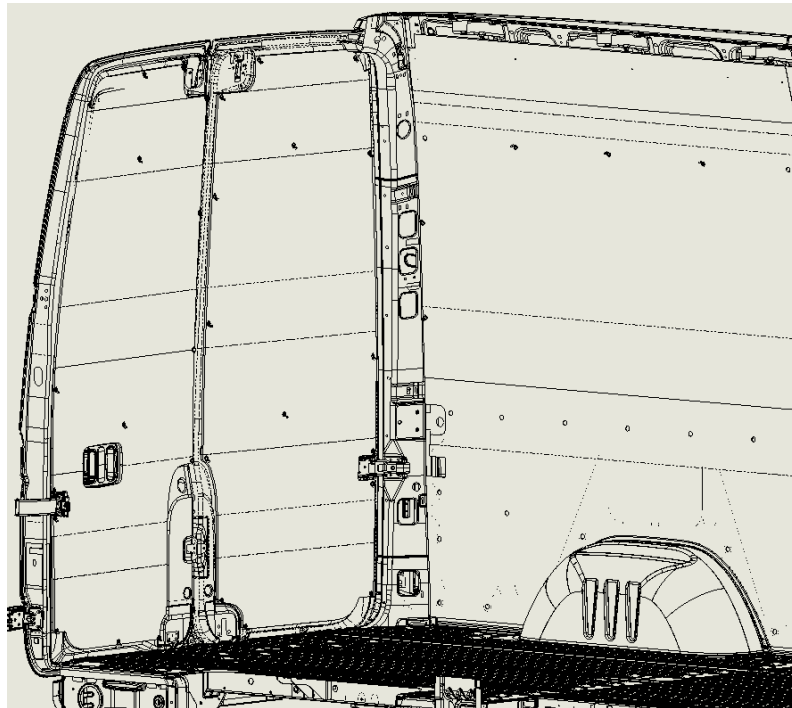


3: Install Item 12 and 13, Rear door panels,

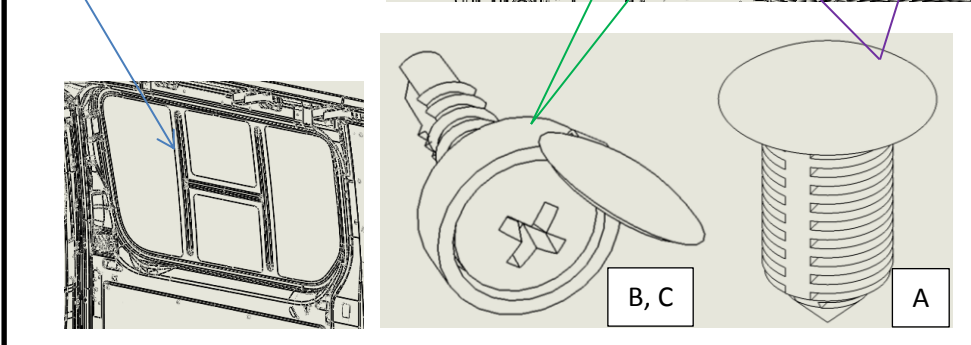
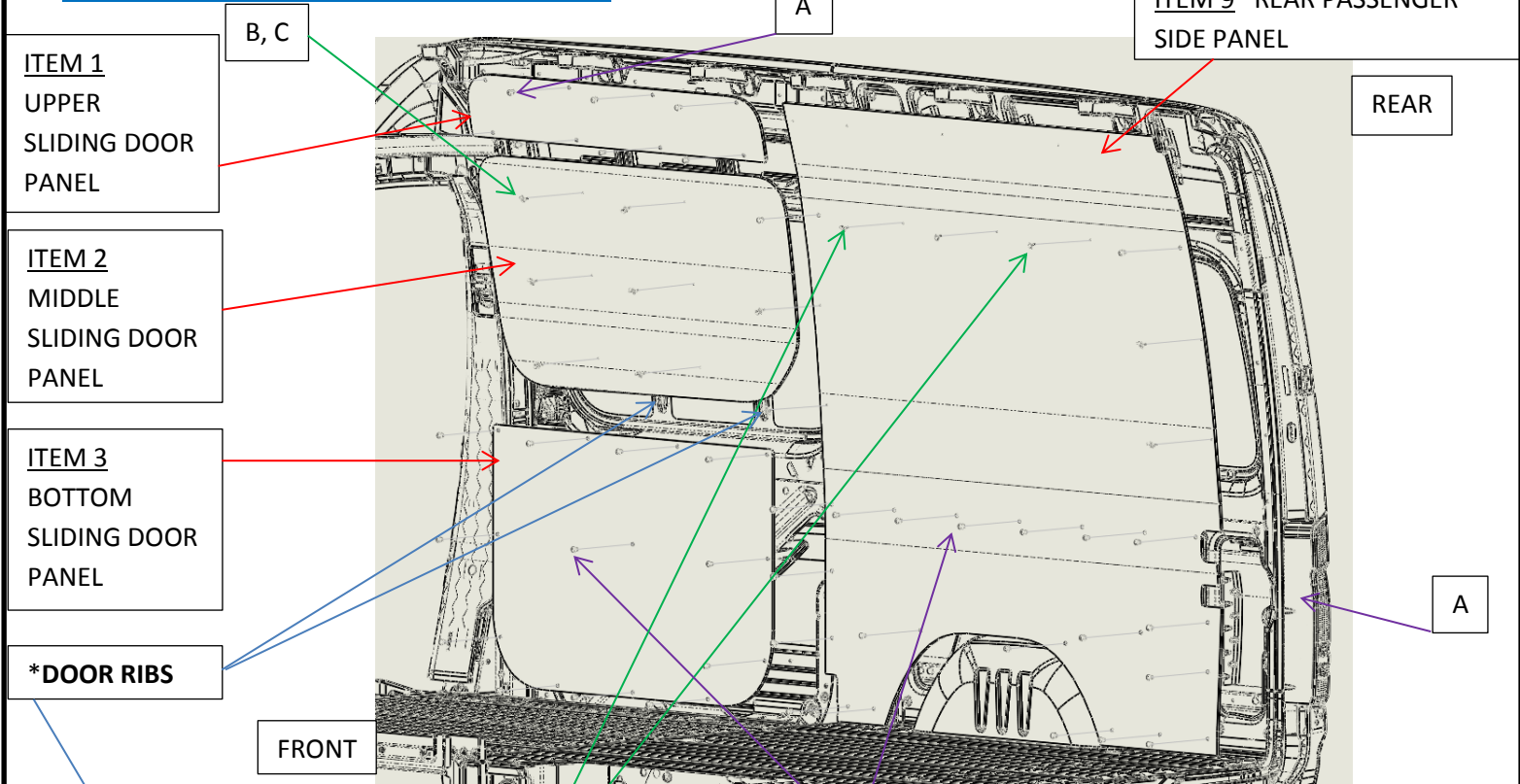
Note: Rear doors must be closed when installing door panels.

- Align the panels with the door contour; **do not mount tight against the door seals.**
- Install hardware (B, C) on the bottom of the panel first, working your way up the panel to the top.

Installation completed



Passenger Side Wall Liner Installation



NOTE: DO NOT INSTALL HARDWARE IN THE HOLES AT THE TOP OF THE PANES; THESE ARE USED FOR THE SILL INTALLATION.

***FOR ITEM 2, MIDDLE SLIDING DOOR PANEL, ALIGN HOLES IN THE PANEL TO THE RIBS OF THE DOOR TO ENSURE PROPER SCREW INSTALLATION.**

4: Install Item 9, Rear Passenger Side Panel.

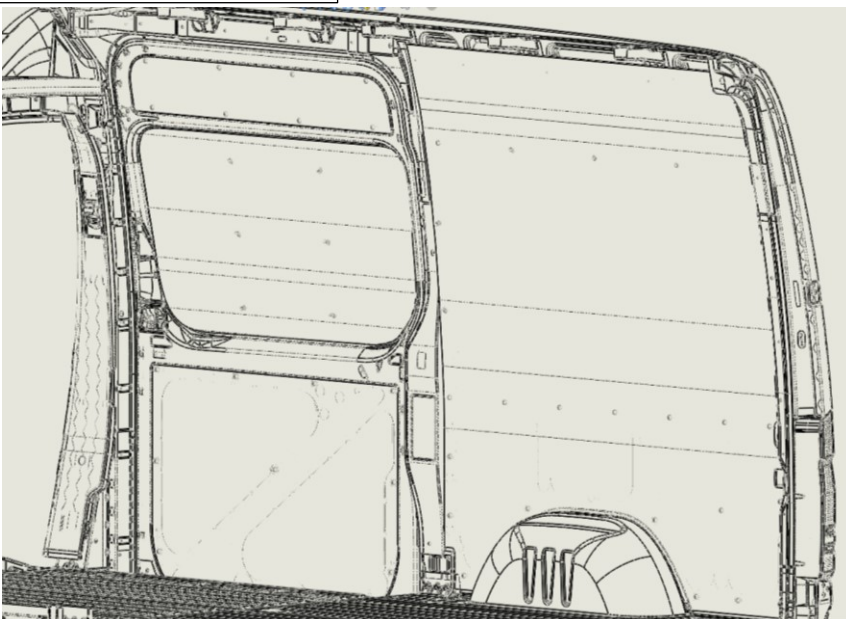
- Align wheel well edge of the panel with the feature on the vehicle; position the contour of the panel to the vehicle wall.
- Install hardware (A), in the holes provided, on the bottom of the panel first, working your way up the panel to the top. Install hardware (B, C) in the holes provided in the middle to the top part of the panel

5: Install Item 1, 2, 3, Sliding Door Panel.

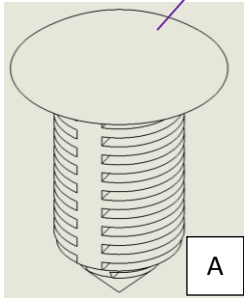
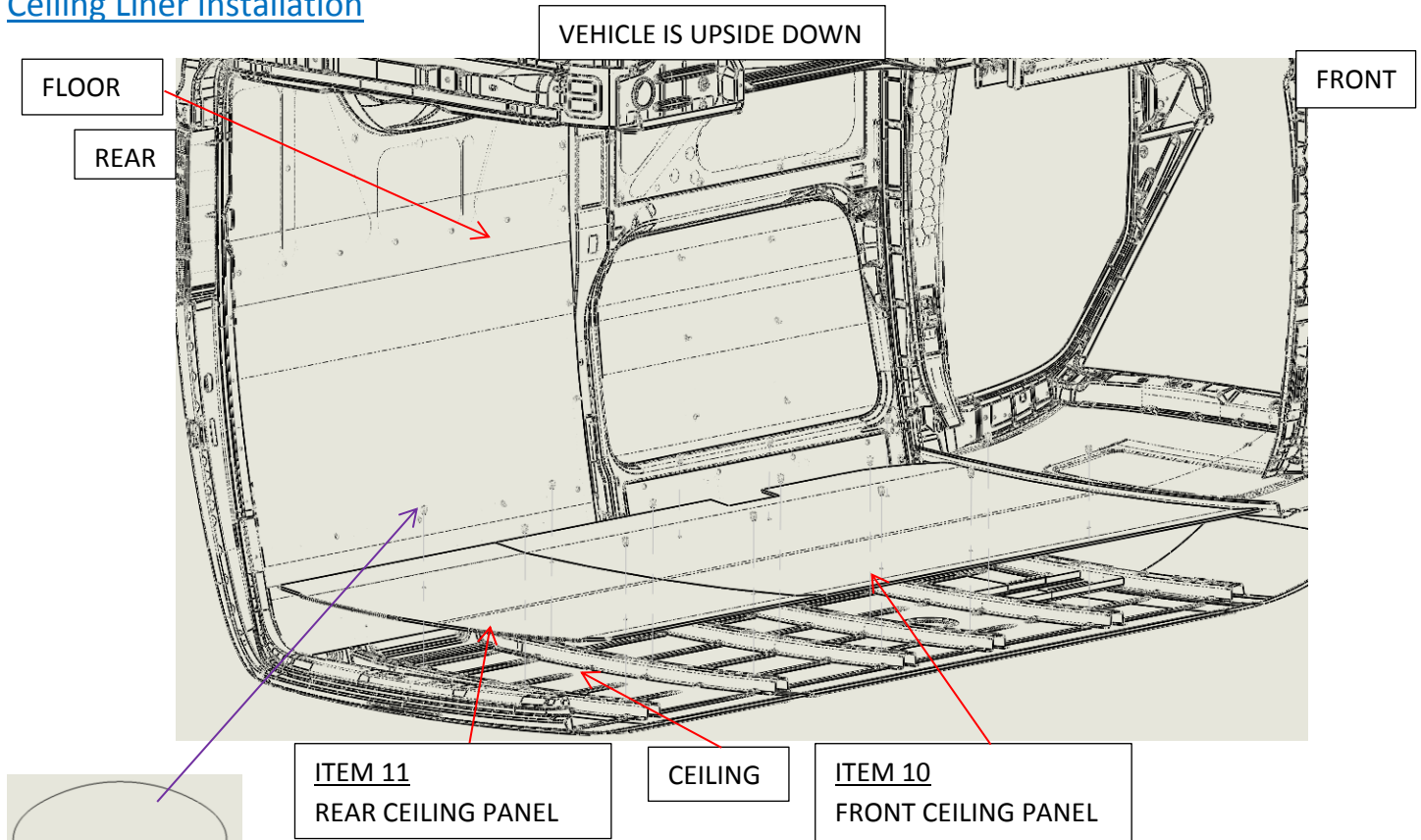
First remove OEM bottom panel.
Note: Sliding door must be closed to install panel;

- Item 1 and 3, Insert panel into the sliding door sill cavity, align holes at the bottom half of the panel to the one on the door and insert hardware (A) in all of the holes provided.
- Item 2, Install hardware (B, C) in the holes provided, make sure holes align with the center of the ribs in the door.

Installation completed



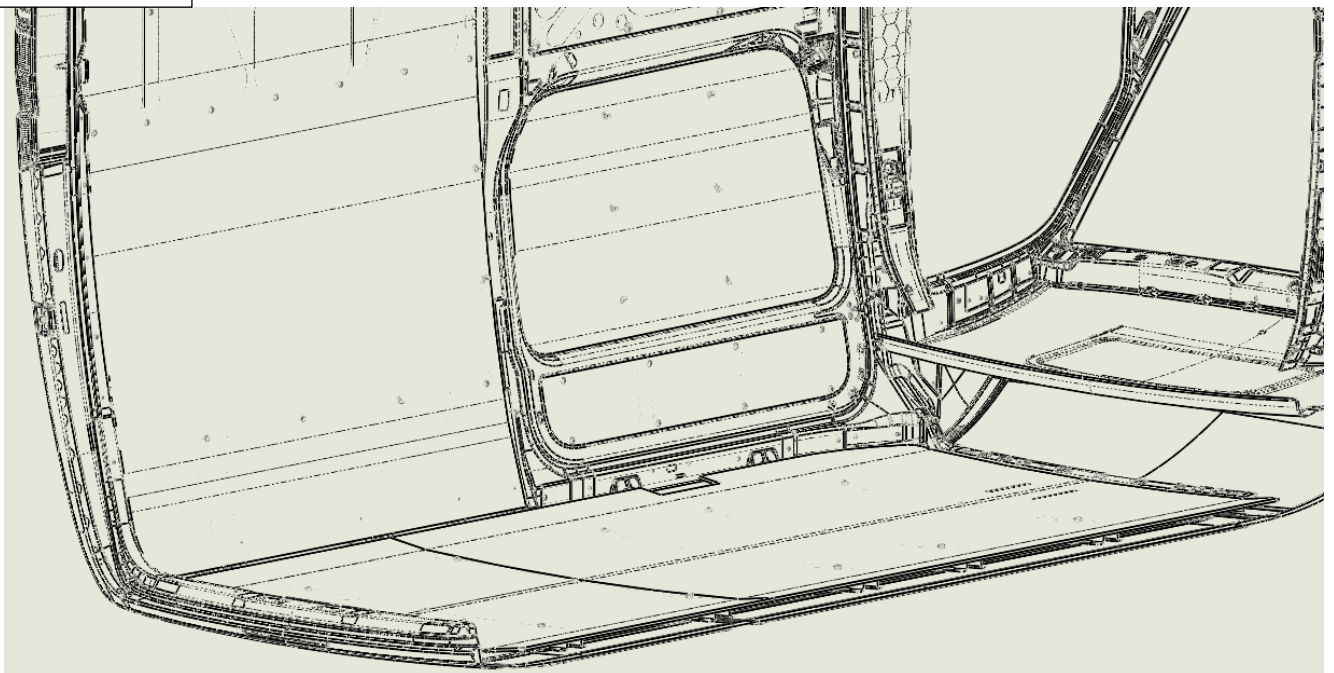
Ceiling Liner Installation



6: Install Item 10 and 11, Ceiling Panels

- Align Ceiling panel with the feature on the vehicle in the front, insert the front of the panel between the headliner and the roof.
- Align the outside holes at the center of the panel with the holes in the ceiling cross bows and install hardware (A) on each side; this will align the panel with the ceiling.
- Push the panel against the ceiling and install hardware (A), in the holes provided starting from the front working your way towards the rear.
- Note: If a rear view camera option is installed, bend and break downwards at the break lines the side sections of all the ceiling panels so they fit over the plastic tubing. This can also be cut off if desired

Installation completed



Ceiling Sills Installation

VEHICLE IS UPSIDE DOWN

PASSENGER SIDE

FRONT

ITEM 22
CEILING SILL C-1

ITEM 21
CEILING SILL C

WALL

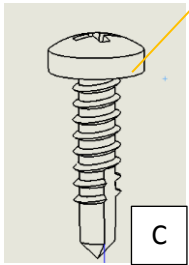
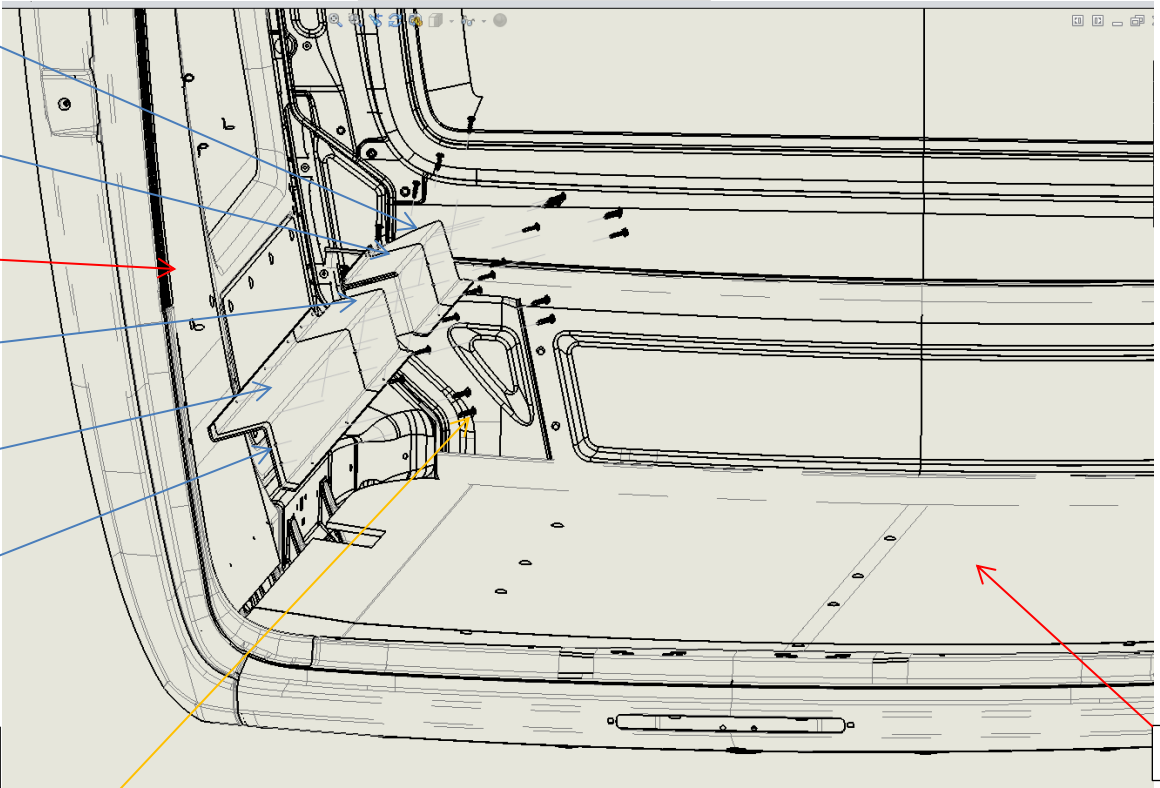
ITEM 14
CEILING SILL B

ITEM 20
CEILING SILL A

ITEM 19
CEILING SILL A-1

REAR

CEILING



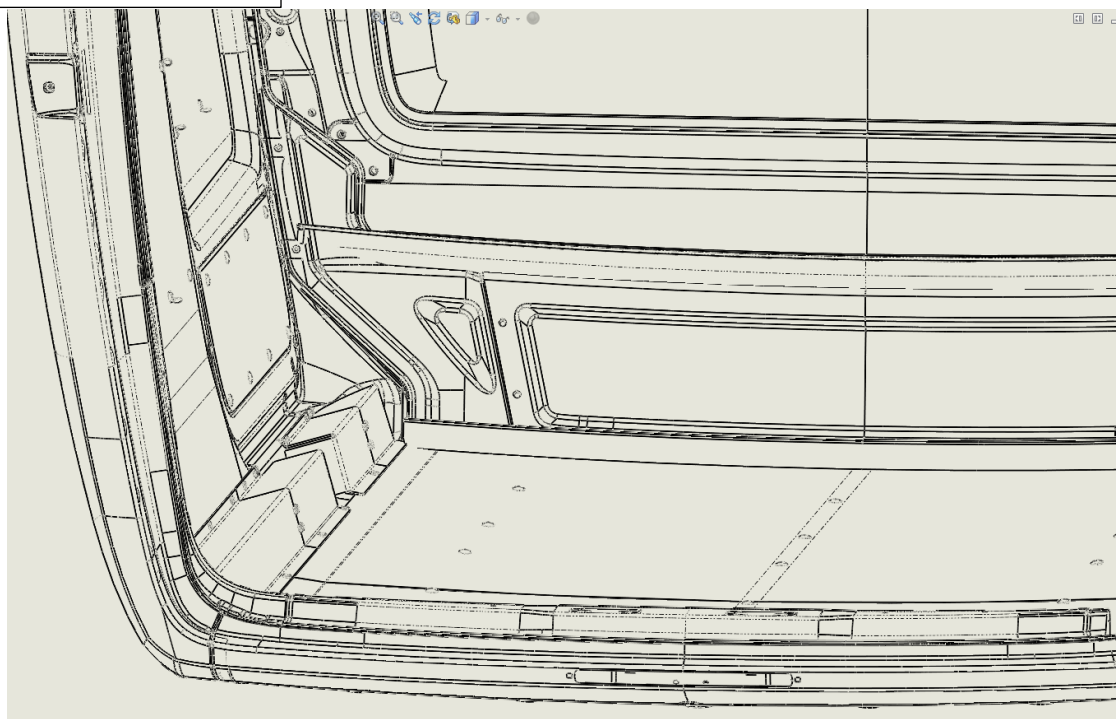
Z: Assemble Item 14, 19, 20, 21, 22 together with the Item 26, Sill Joining Plate (SHOWN ABOVE), with hardware (C) in the holes provided.
FOR PASSENGER SIDE.
NOTE: ITEM 19 IS NOT USED IF REAR CAMERA OPTION IS INSTALLED,

- Assemble Item 15, 16, 17, 18 together with the Item 26, Sill Joining Plate (SHOWN BELOW), with hardware (C) in the holes provided.

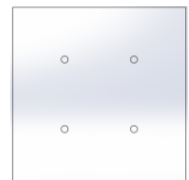
FOR DRIVER SIDE
NOTE: ITEM 16 IS NOT USED IF REAR CAMERA OPTION IS INSTALLED;

- Install the Sill assemblies on the Driver side as well as on the Passenger side using hardware (C) in the holes provided on the Sills.

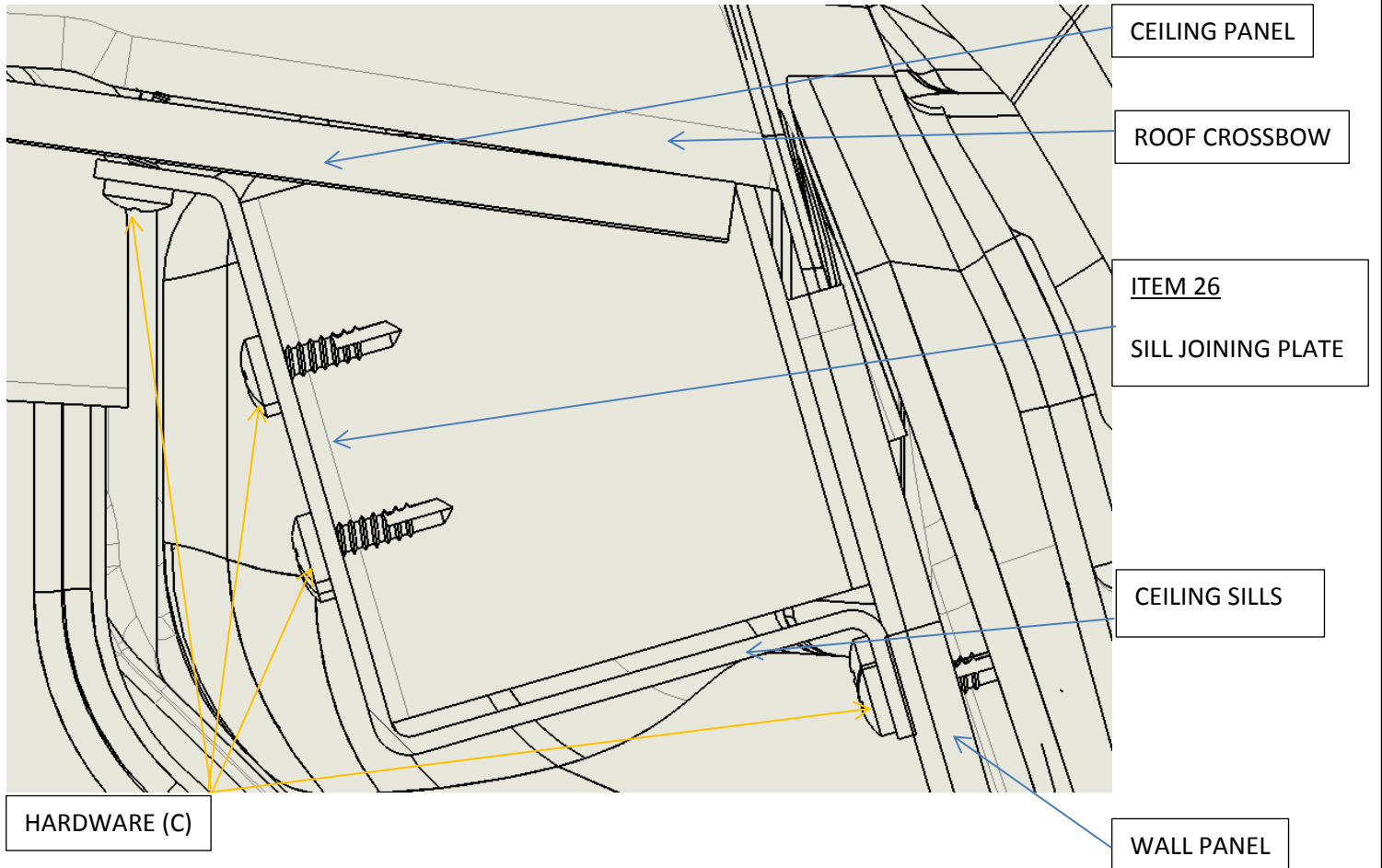
Installation completed



ITEM 26
SILL JOINING PLATE



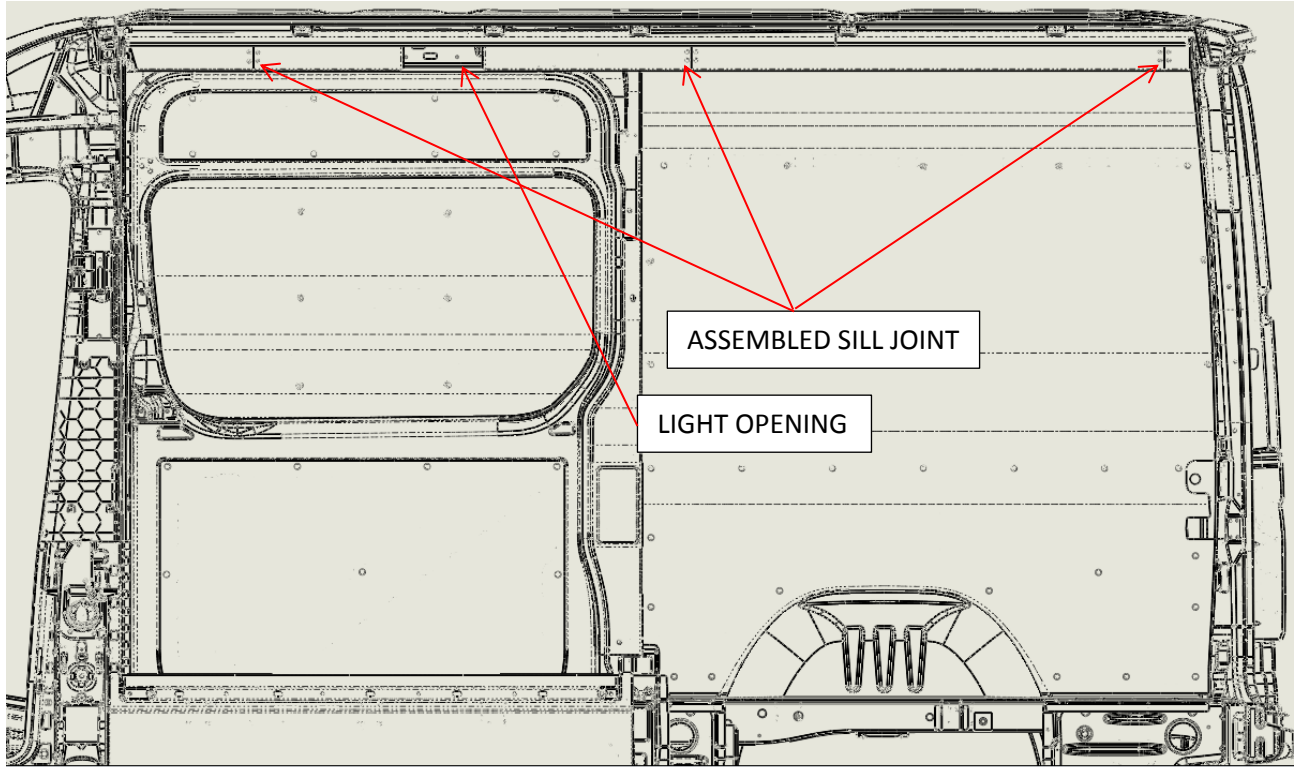
Ceiling Sills Installation Details



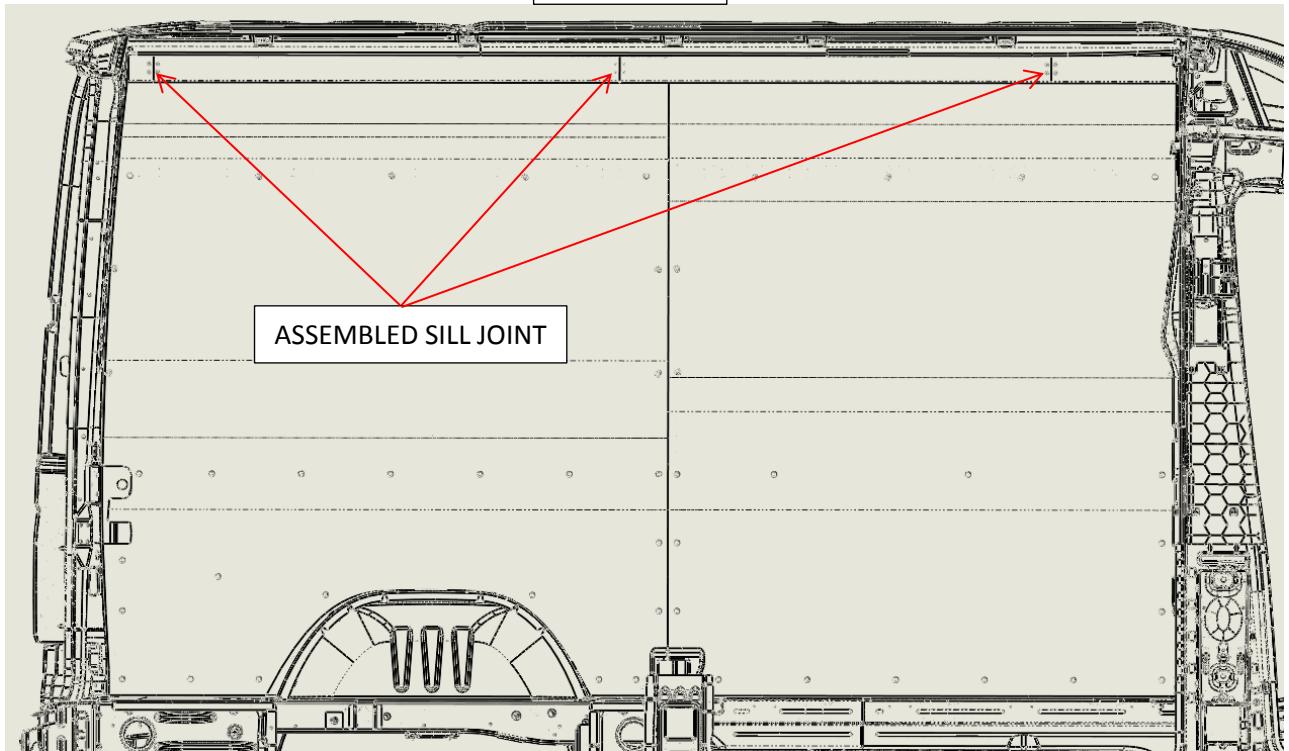
PASSENGER SIDE SHOWN

Installation completed

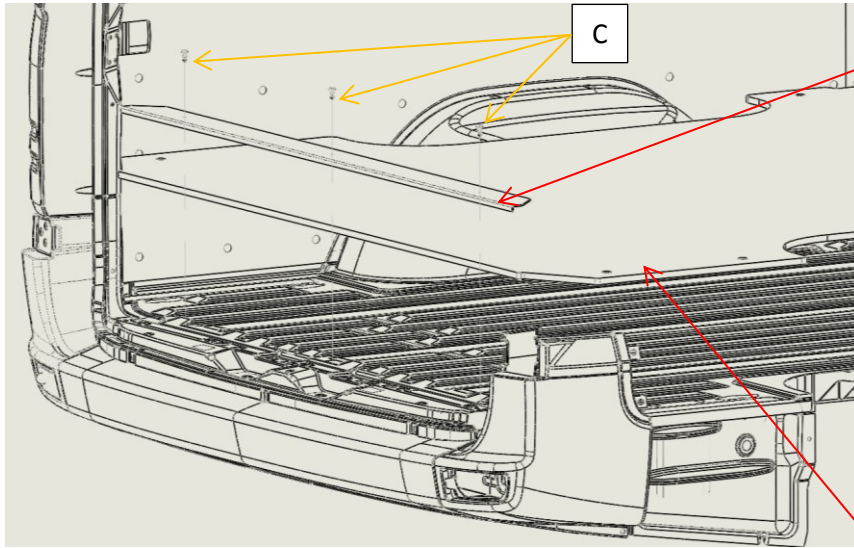
PASSENGER SIDE



DRIVER SIDE



Floor and Floor Sill Installation

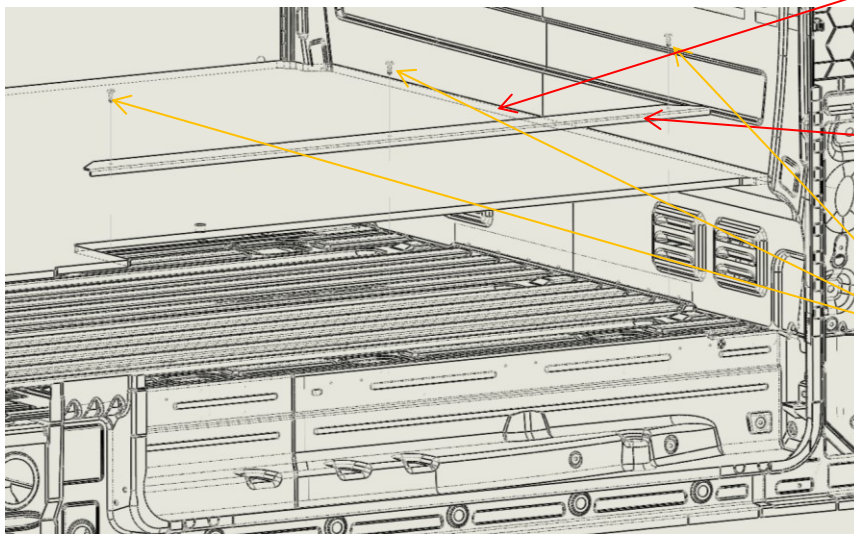


ITEM 24
FLOOR SILL – REAR DOOR

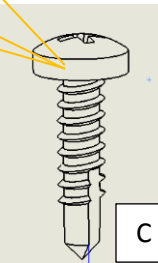
8: Install Items 23 FLOOR and Items 24,25 FLOOR SILLS.

- Install floor inside the vehicle.
- Align the floor sills in their proper location with the floor edges and install hardware (C).

ITEM 23
FLOOR



ITEM 25
FLOOR SILL – SLIDING DOOR



Installation completed

