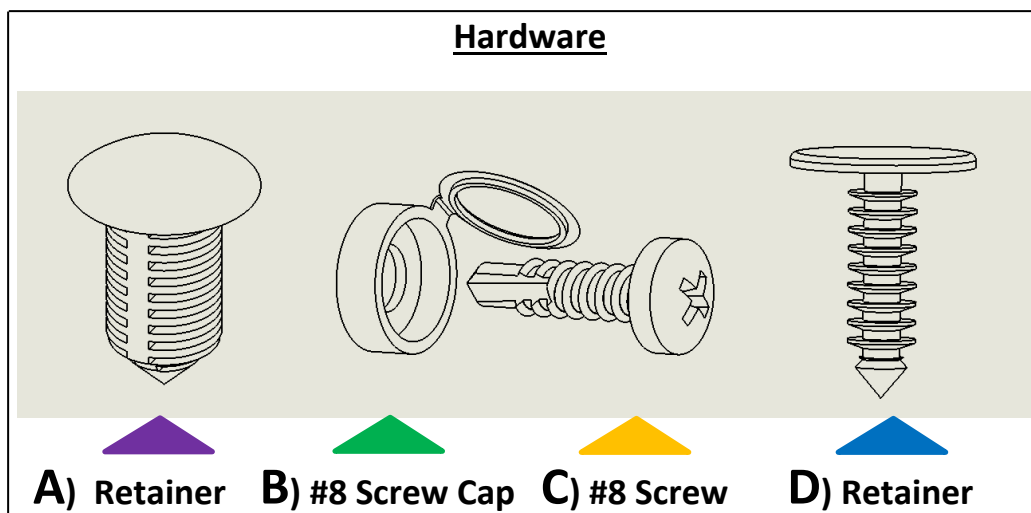


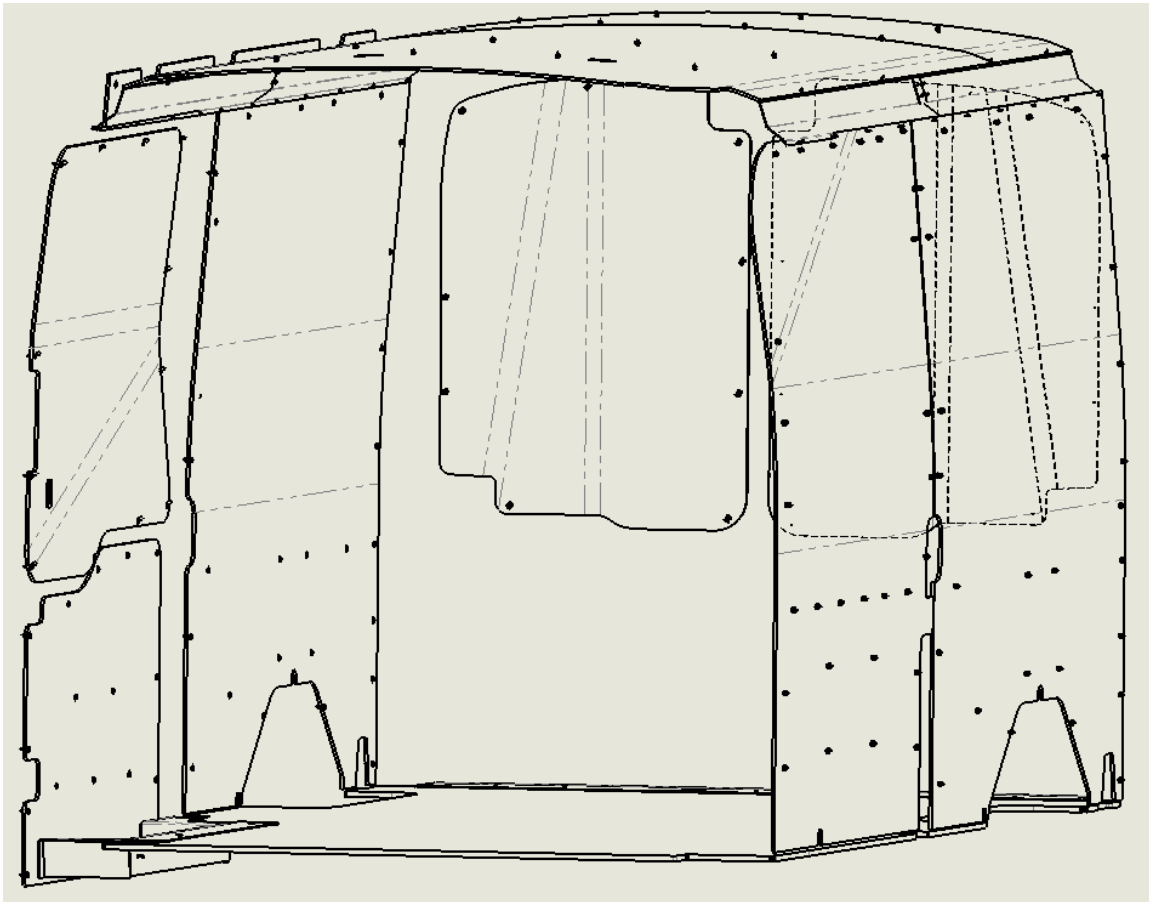
TRANSIT 148" MEDIUM ROOF WALL LINERS INSTALLATION INSTRUCTIONS

NOTES:

1. Before commencing, remove all wall liners and "D" Rings already installed in the vehicle.
2. Consult layout PDF and compare vehicle layout allocated Legend.
3. Prepare hardware shown below and have them ready for installation.
4. Wall liners will be installed in the order shown in the instructions.
5. A drill with a Phillips driver is required to install (**C**) #8 Screws) shown below.
6. Reinstall all "D" Rings once the wall liner kit installation is completed.

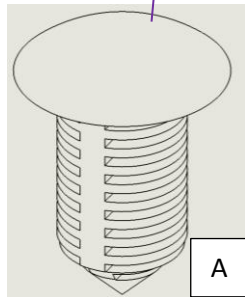
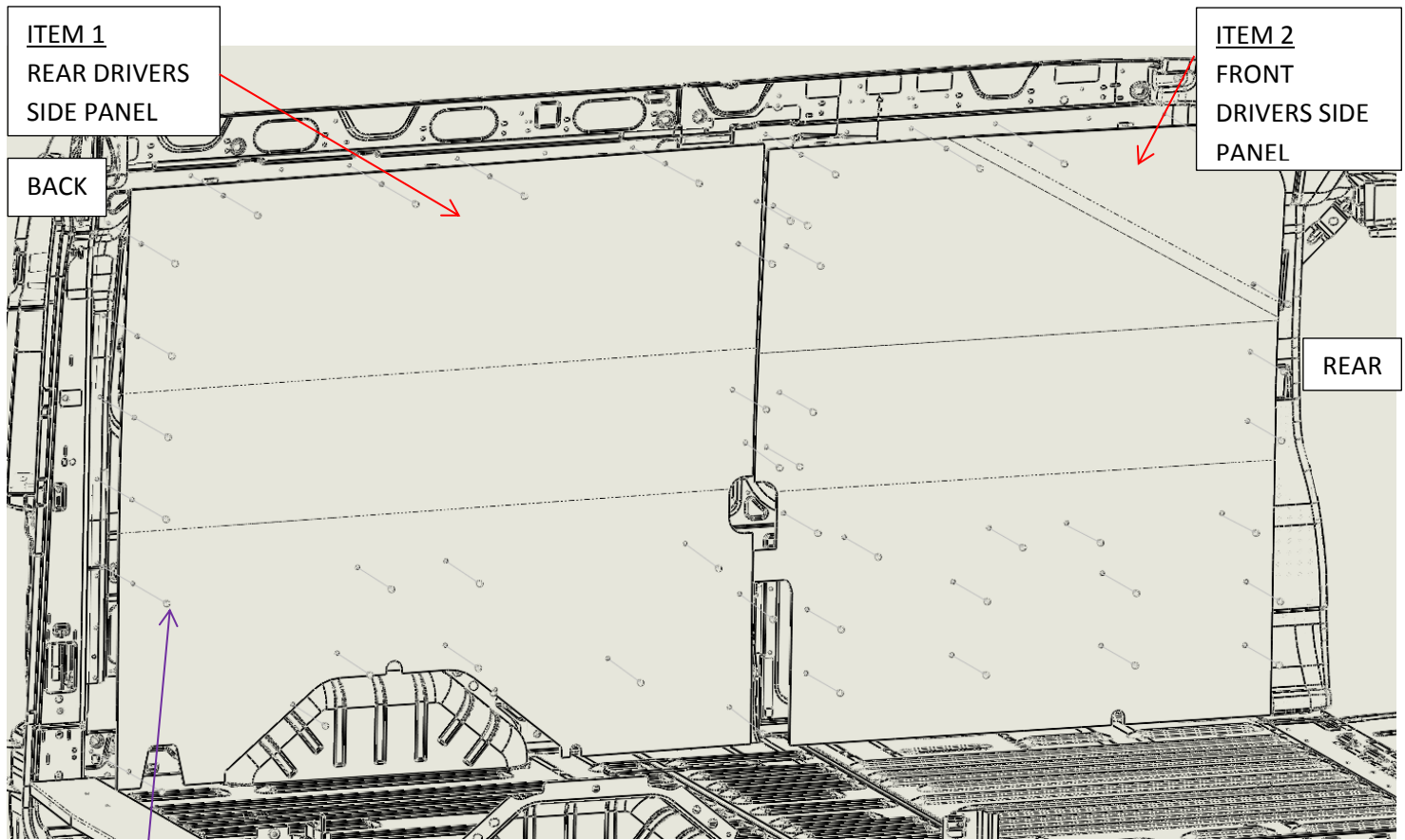


TRANSIT 148" MEDIUM ROOF WALL LINERS



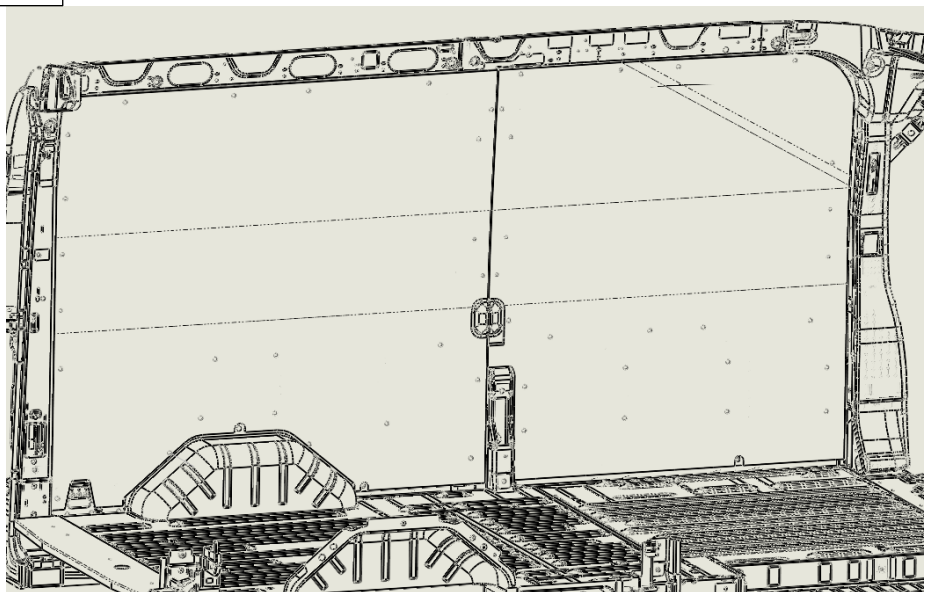
| ITEM NO. | PART NUMBER | DESCRIPTION | QTY. |
|----------|----------------|--|------|
| 1 | 744-114-2613.M | GREY REAR PANEL DRIVER SIDE TRANSIT 148" MR | 1 |
| 2 | 744-114-2613.M | GREY FRONT PANEL DRIVER SIDE TRANSIT 148" MR | 1 |
| 3 | 744-114-2613.M | GREY REAR PANEL PASSENGER SIDE TRANSIT 148" MR | 1 |
| 4 | RETAINER | RETAINER- BLACK NYLON | 125 |
| 5 | 747-151-1010.M | CEILING SILL 1 TRANSIT 148" MR | 2 |
| 6 | 747-151-1010.M | CEILING SILL 2 TRANSIT 148" MR | 2 |
| 7 | 747-151-1010.M | CEILING SILL TRANSIT 148" MR | 2 |
| 8 | SCREW | SCREW - PHIL. PAN HD #8X.75 SELF DRILLING | 69 |
| 9 | 744-114-2613.M | GREY OVER HEAD SLIDING DOOR PANEL PASSENGER SIDE TRANSIR 148" MR | 1 |
| 10 | 743-114-2613.M | GREY SIDE DOOR TOP PANEL TRANSIT 148" MR | 1 |
| 11 | 743-114-2613.M | GREY SIDE DOOR BOTTOM PANEL TRANSIT 148" MR | 1 |
| 12 | 743-114-2613.M | GREY REAR DOOR PANEL DRIVER SIDE TRANSIT 148 MR | 1 |
| 13 | 743-114-2613.M | GREY REAR DOOR PANEL PASSENGER SIDE TRANSIT 148 MR | 1 |
| 14 | SCREW CAP | SCREW CAP | 32 |
| 15 | 708-151-1011 | FLOOR REAR SILL- TRANSIT | 1 |
| 16 | 706-151-1011 | FLOOR SLIDING DOOR SILL 3 - TRANSIT | 1 |
| 17 | 706-151-1011 | FLOOR SLIDING SILL 1- TRANSIT | 1 |
| 18 | 709-151-1011 | FLOOR SLIDING DOOR SILL 2 - TRANSIT | 1 |
| 19 | RETAINER | RETAINER- BLACK NYLON 31163211 | 12 |
| 20 | 742-xxx-6641 | FLOOR - TRANSIT 148" | 1 |
| 21 | 745-114-2613.M | GREY CEILING BACK PANEL TRANSIT 148" MR | 1 |
| 22 | 745-114-2613.M | GREY CEILING FRONT PANEL TRANSIT 148" MR | 1 |

Driver Side Wall Liner Installation



- 1:** Install Item 2, Front Driver Side Panel.
 - Align notch and edge of panel with the feature on the vehicle driver side front then align opposite side of panel edge with the contour features.
 - Install hardware (A), in the holes provided, on the bottom of the panel first, working your way up the panel to the top.
- 2:** Install Item 1, Rear Driver Side Panel.
 - Align wheel well edge of the panel with the feature on the vehicle, position the contour of the panel to the vehicle wall.
 - Install hardware (A), in the holes provided, on the bottom of the panel first, working your way up the panel to the top.

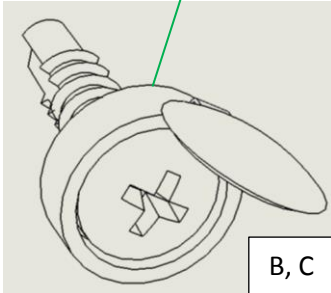
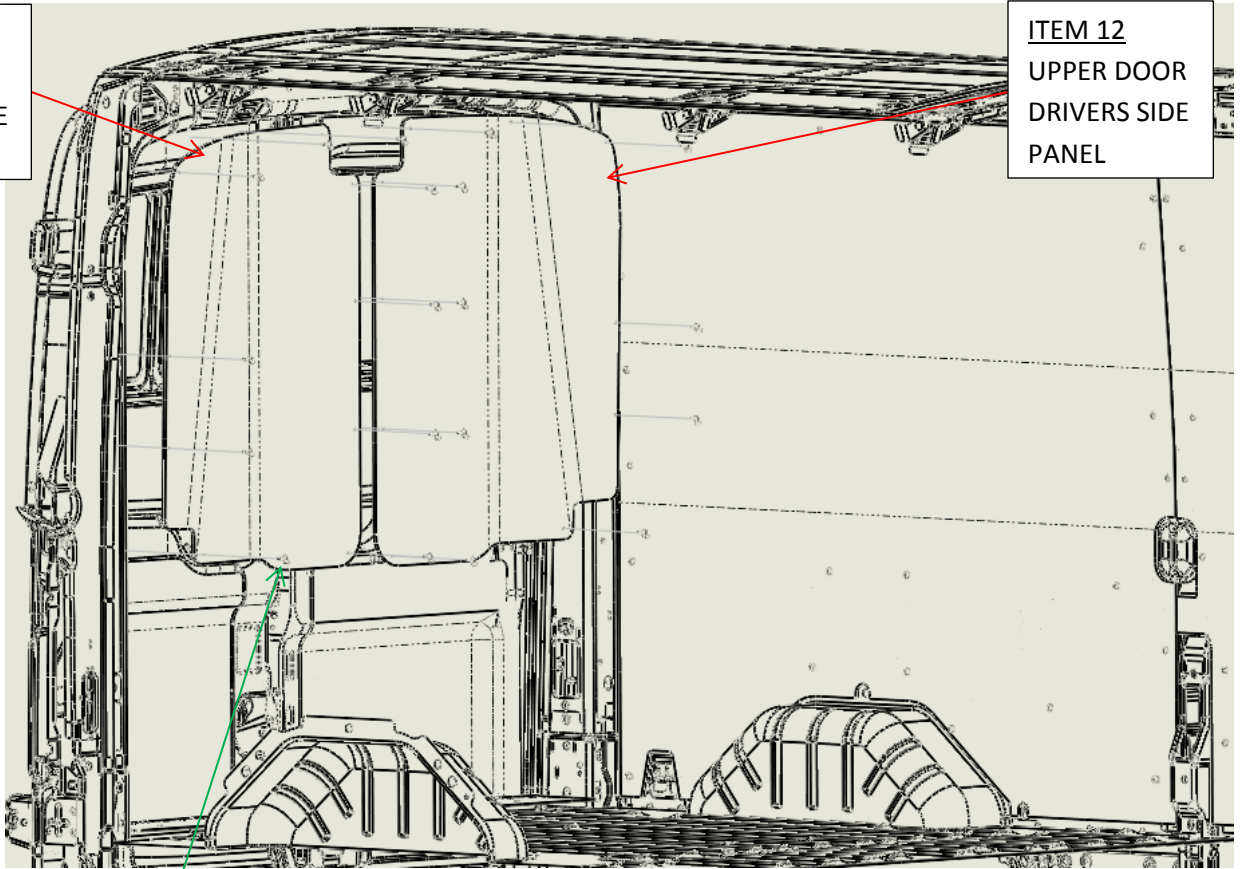
Installation completed



Back Door Wall Liner Installation

ITEM 13
UPPER DOOR
PASSENGER SIDE
PANEL

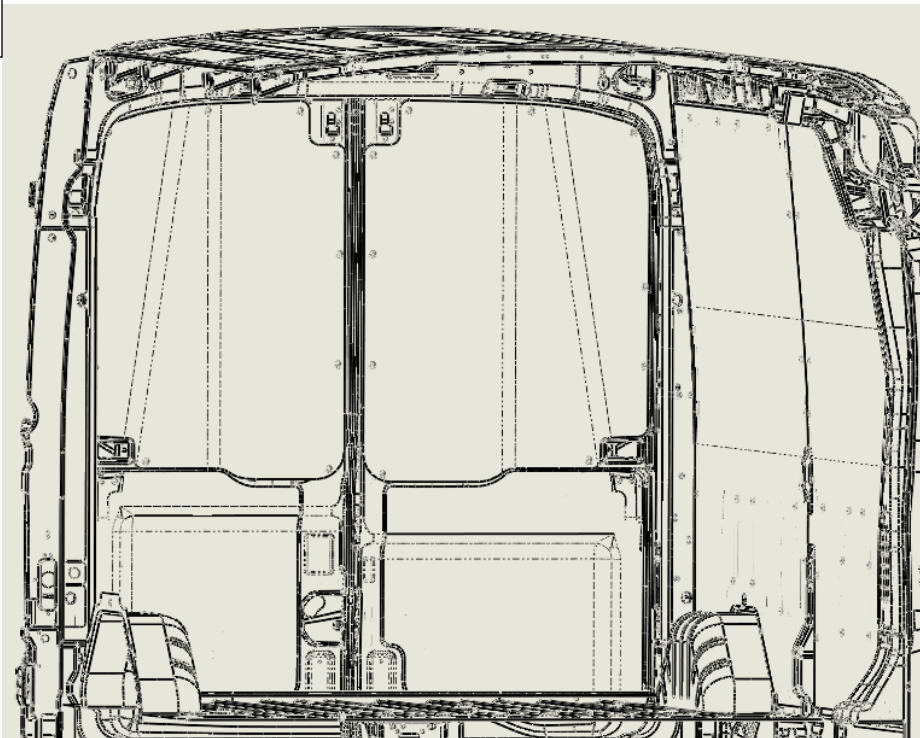
ITEM 12
UPPER DOOR
DRIVERS SIDE
PANEL



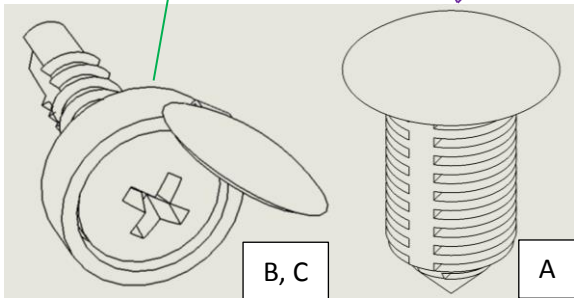
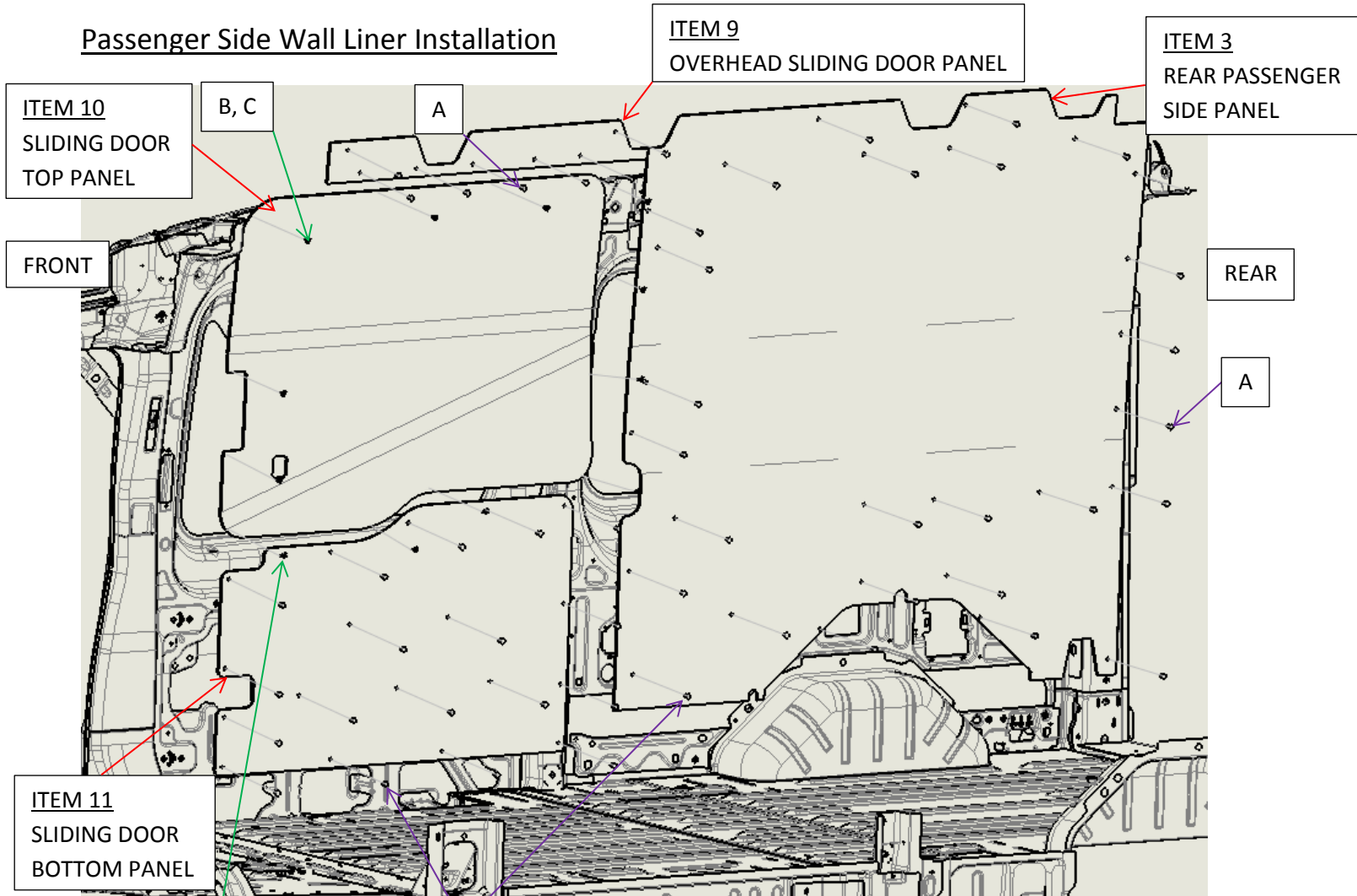
3: Install Item 12 and 13, Upper door panels,

- Align the Upper panels with the upper door contours.
- Install hardware (B, C), in the holes provided, on the top of the panel first, working your way down the panel to the bottom.

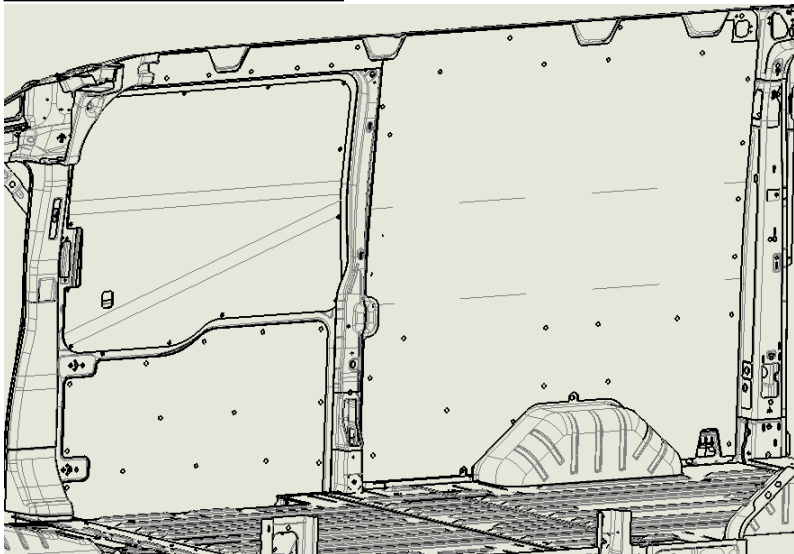
Installation completed



Passenger Side Wall Liner Installation



Installation completed



4: Install Item 3, Rear Passenger Side Panel.

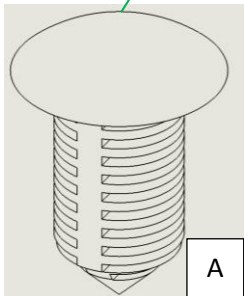
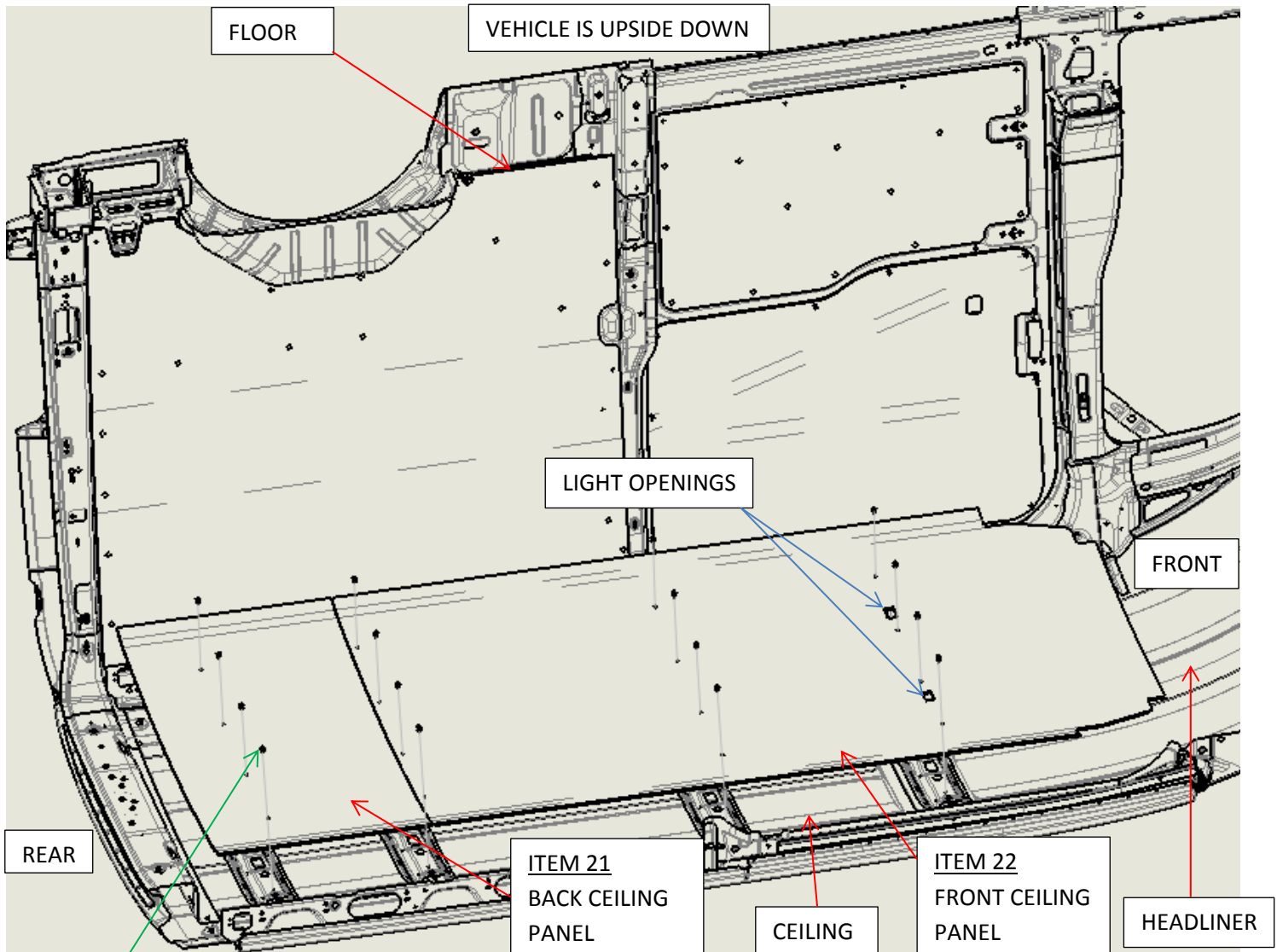
- Align wheel well edge of the panel with the feature on the vehicle; position the contour of the panel to the vehicle wall.
- Install hardware (A), in the holes provided, on the bottom of the panel first, working your way up the panel to the top.
- Install Item 9, Overhead Sliding Door Panel.
- Install hardware (A), in the holes provided.

5: Install Item 11, Bottom Sliding Door Panel.

First remove OEM bottom panel.

- Note: Sliding door must be closed to install panel;
- Insert panel into the sliding door sill cavity, align holes at the bottom half of the panel to the one on the door and insert hardware (A) in all of the holes.
- Install Item 10, Top Sliding Door Panel with hardware (B, C) in the holes provided, align the panel with the door seal leaving an equal space between the door seal and the panel.

Ceiling Liner Installation



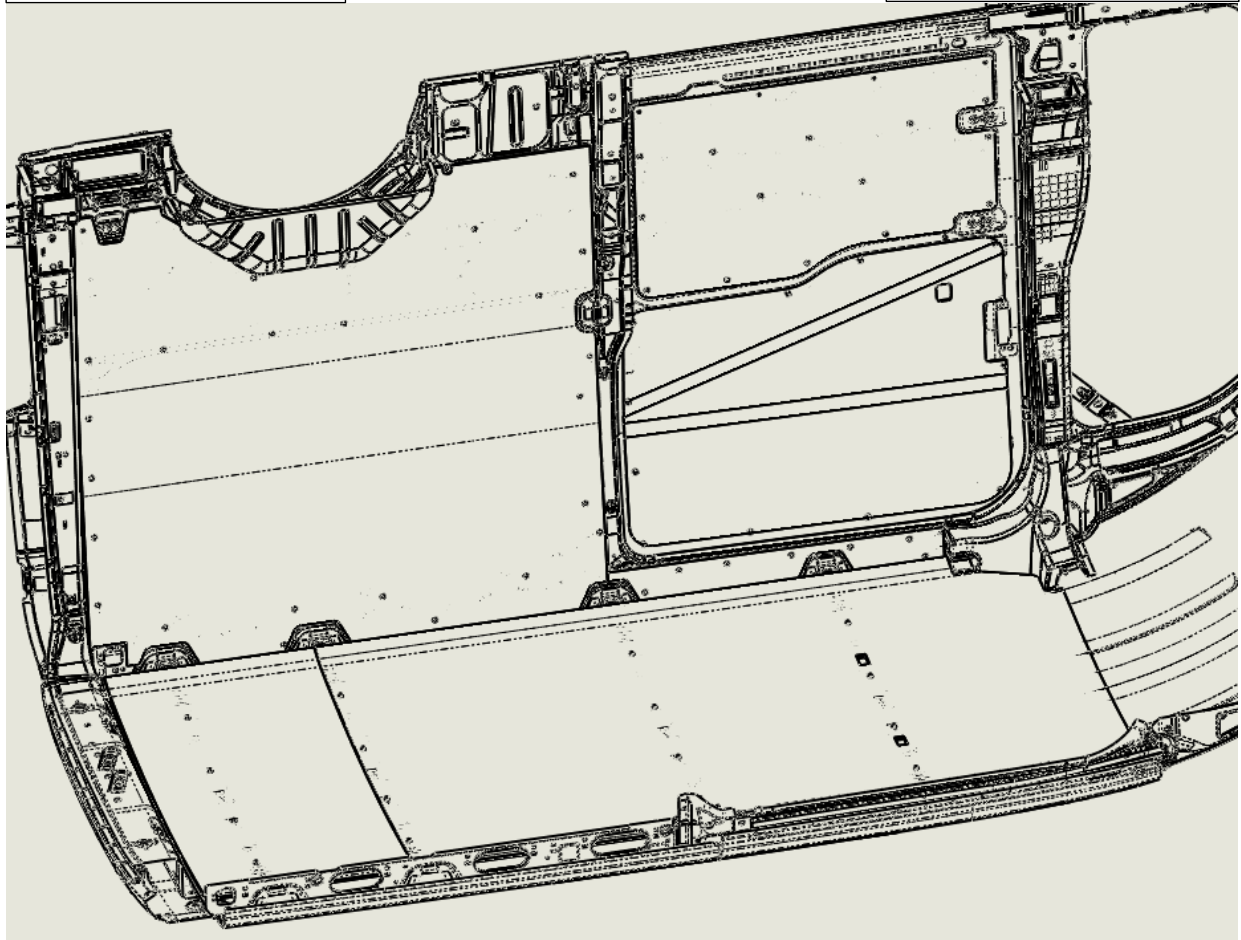
6: Install Item 22, Front Ceiling Panel.

- Align Ceiling panel with the feature on the vehicle in the front, insert the front of the panel between the headliner and the roof, and align the light openings to the lights on the ceiling.
- Align the outside holes at the center of the panel with the holes in the ceiling cross bows and install hardware (A) on each side; this will align the panel with the ceiling.
- Push the panel against the ceiling and install hardware (A), in the holes provided starting from the front working your way towards the rear.
- Install Item 21, Back Ceiling Panel.
- Push the panel against the ceiling and install hardware (A), in the holes provided

Ceiling Liner Installation

Installation completed

VEHICLE IS UPSIDE DOWN



Ceiling Sills Installation

FRONT

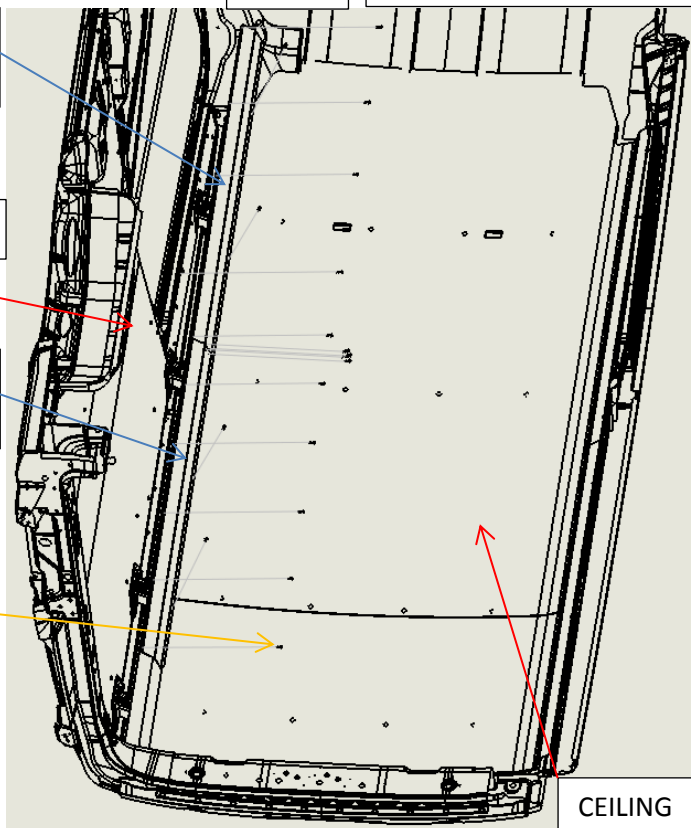
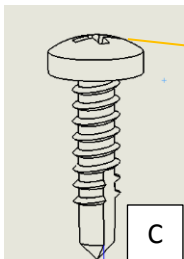
VEHICLE IS UPSIDE DOWN

ITEM 5
CEILING SILL 1

PASSENGER SIDE

WALL

ITEM 6
CEILING SILL 2

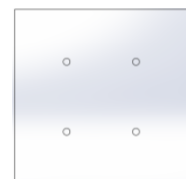


CEILING

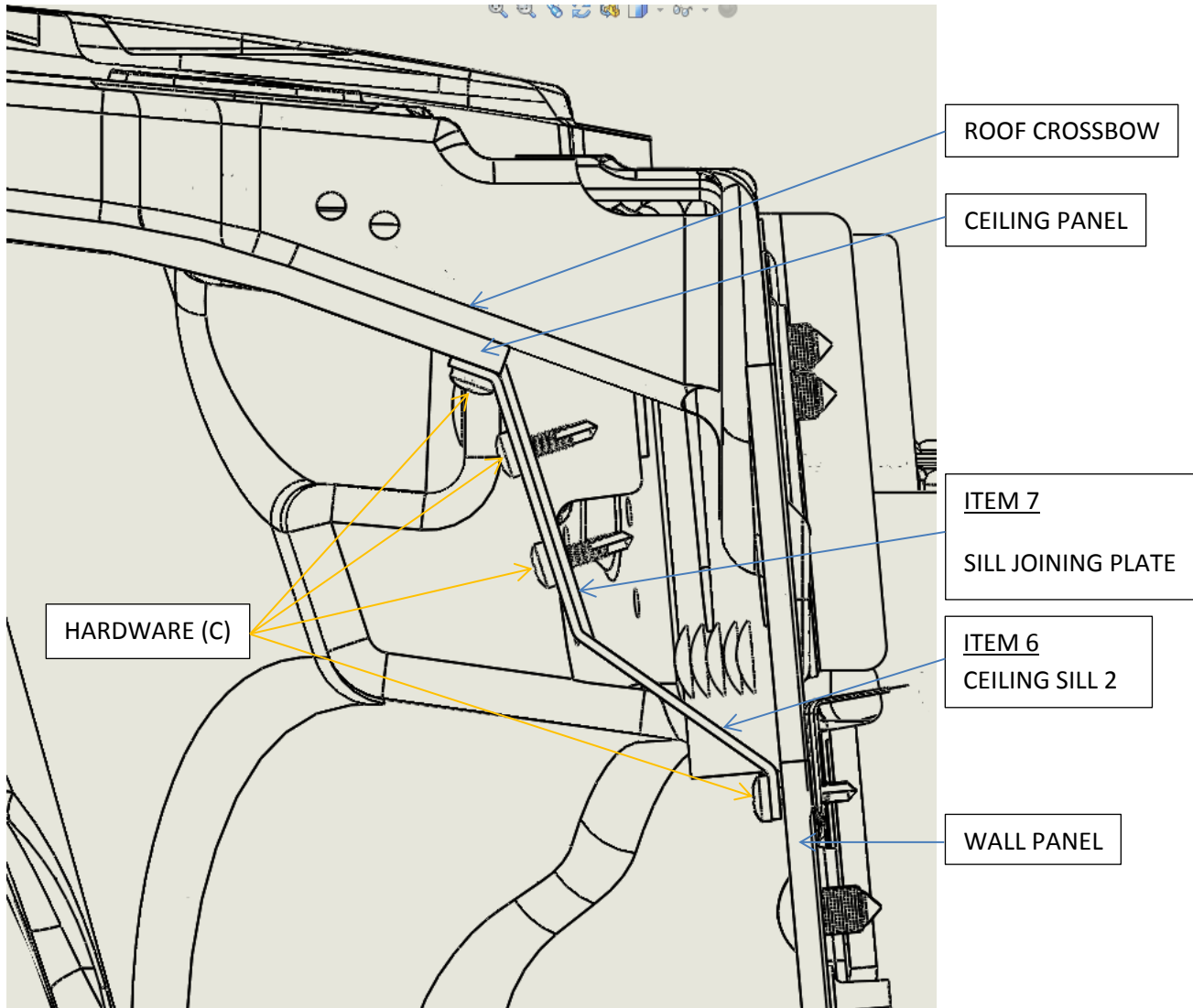
7: Assemble Item 5 and item 6 together with the Item 7, Sill Joining Plate (SHOWN BELOW), with hardware (C) in the holes provided.

- Install the Sill assemblies on the Driver side as well as on the Passenger side using hardware (C) in the holes provided on the Sills.
- First, Install the Sill assembly with hardware (C) on the wall, afterwards install hardware (C) only on the roof cross bows aligned with the retainers holding the ceiling panels.

ITEM 7 SILL JOINING PLATE

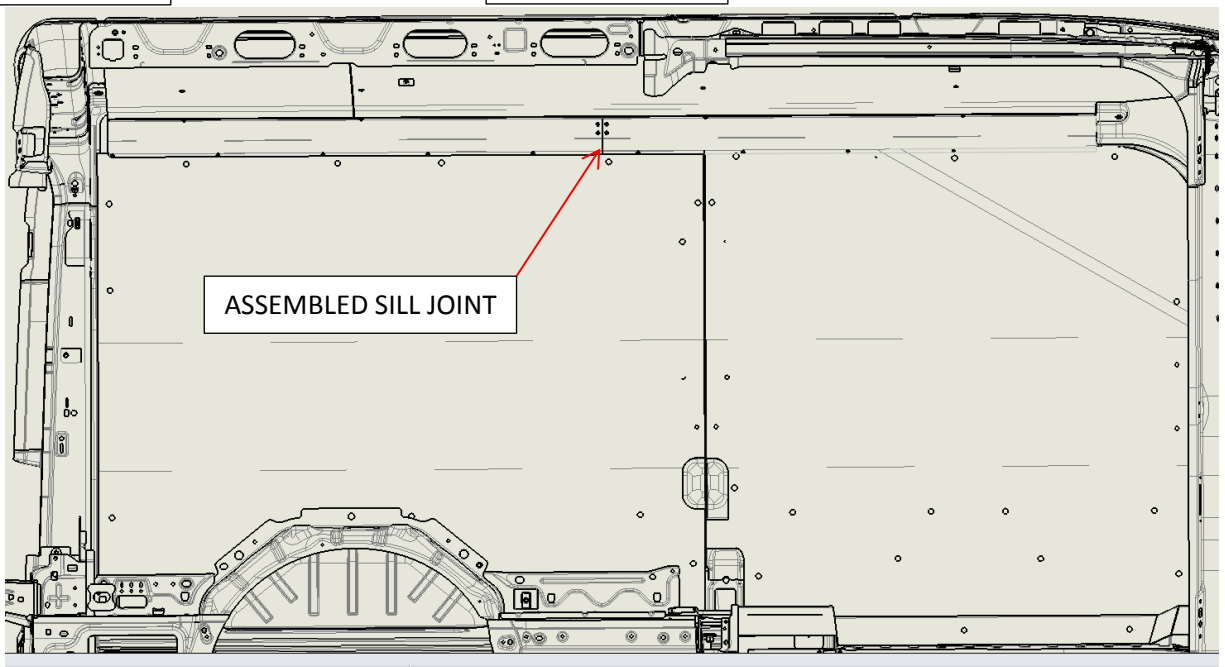


Ceiling Sills Installation Details

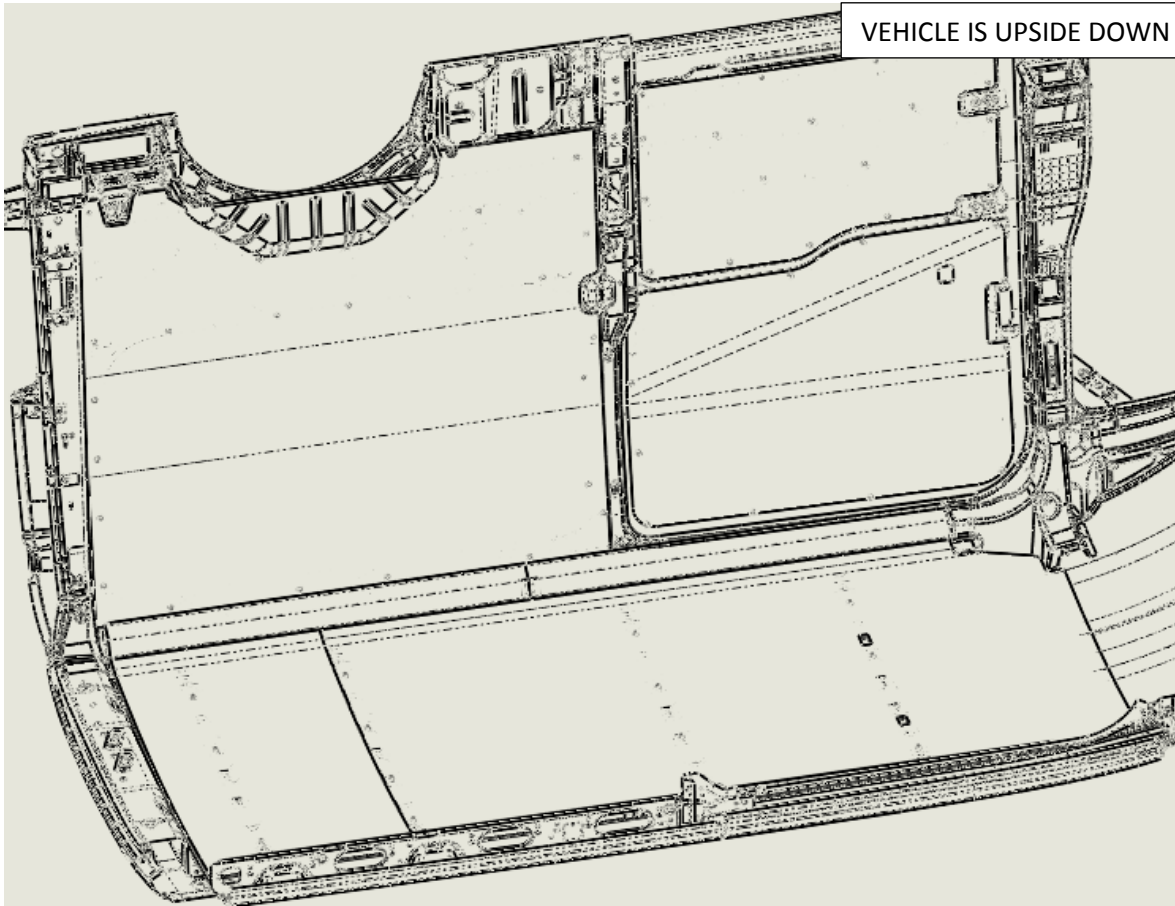


Installation completed

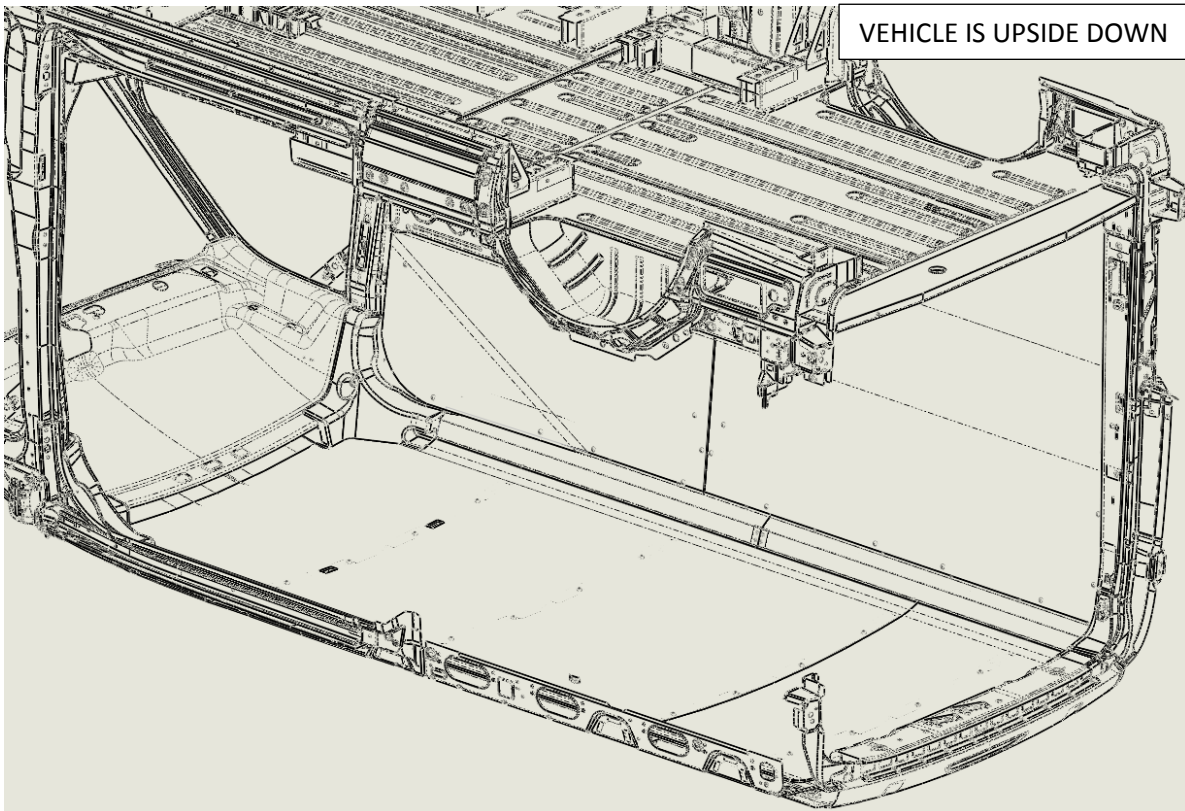
DRIVER SIDE



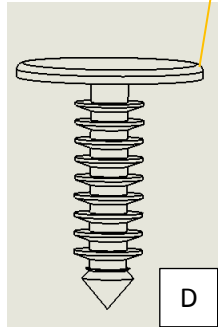
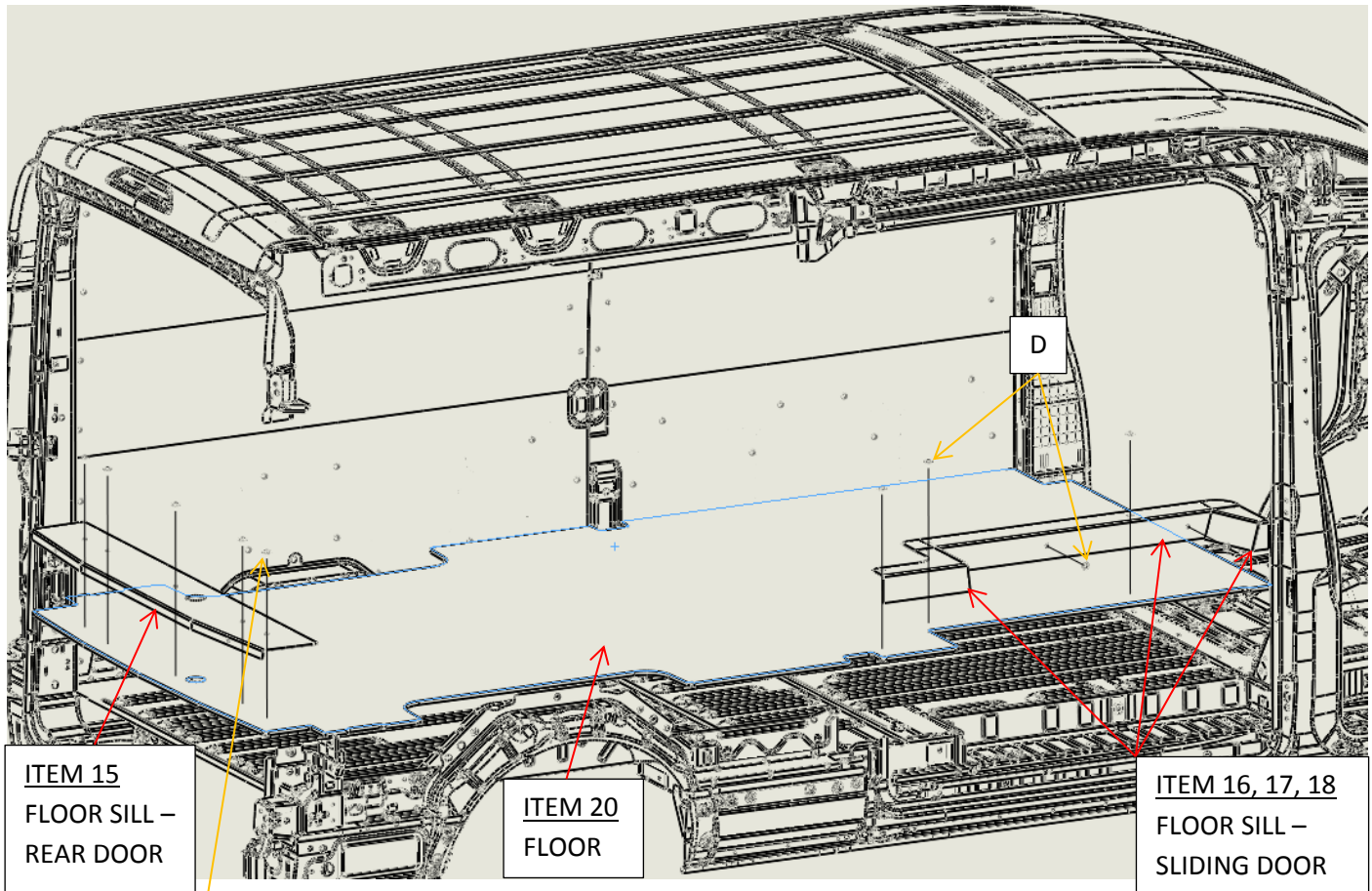
PASSENGER SIDE



DRIVER SIDE



Floor and Floor Sill Installation



8: Install Items 20, FLOOR and Items 15, 16, 17, 18 FLOOR SILLS.

- Install floor inside the vehicle.
- Align the floor sills in their proper location with the floor edges and install hardware (D), in the holes provided, if there are no holes drill 6mm holes for each hardware (D).

Installation completed

