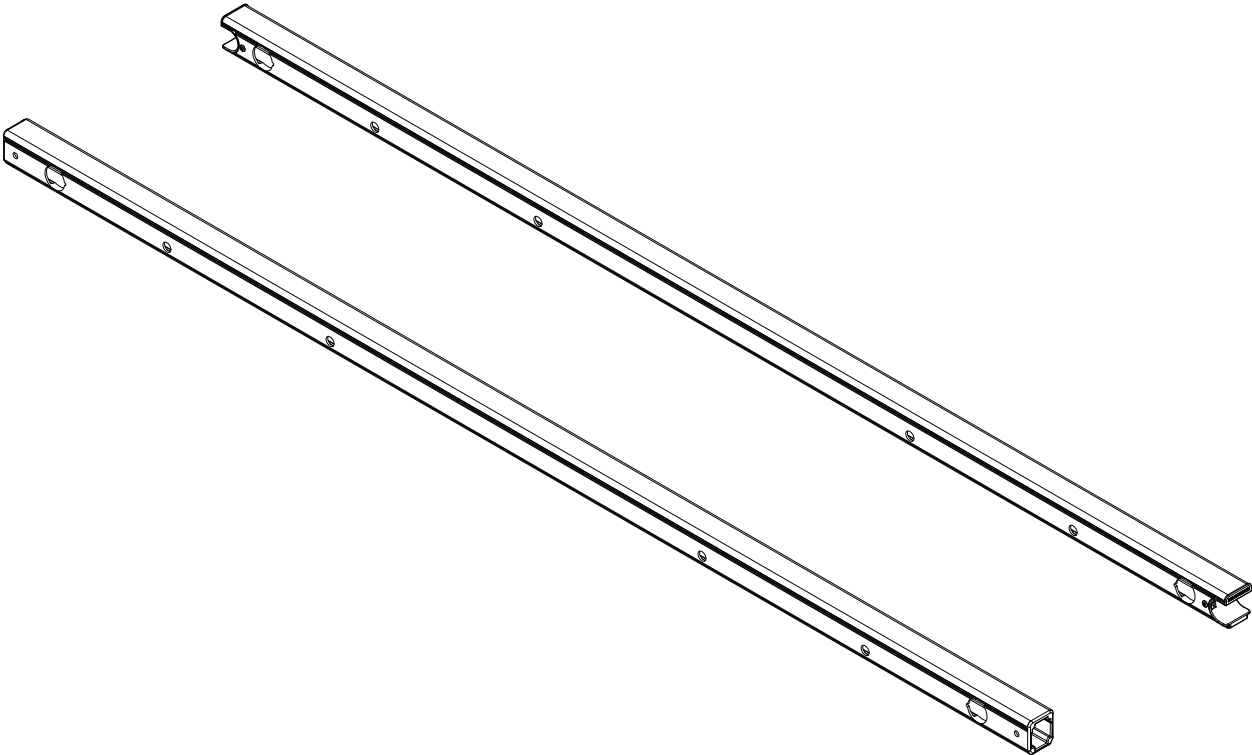


# PRIME DESIGN™

A Safe Fleet Brand



## *INTERLOCKING CROSSBARS, 72"*

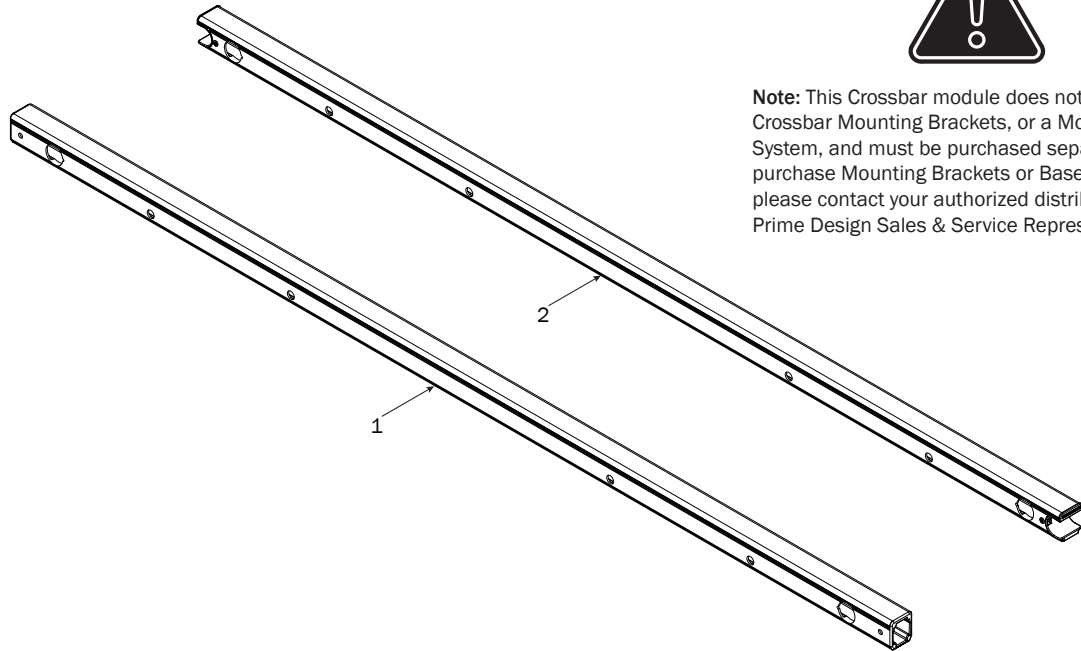
PRIME DESIGN, A SAFE FLEET BRAND • Address: 1689 Oakdale Avenue #102, West St Paul, Minnesota 55118  
Toll Free: 1.8.PRIME.RACK • Fax: 651-552-1799 • Email: info@primedesign.net • Website: www.primedesign.net

0007  
**CBR**

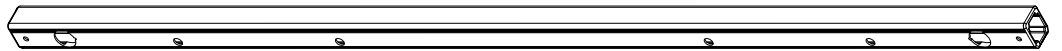
**CONTENTS OVERVIEW**



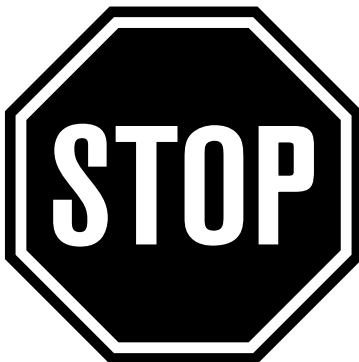
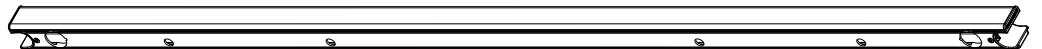
**Note:** This Crossbar module does not come with Crossbar Mounting Brackets, or a Mounting Base System, and must be purchased separately. To purchase Mounting Brackets or Base System, please contact your authorized distributor, or a Prime Design Sales & Service Representative.



1—Crossbar..... (Qty 1)  
 Gen 4, Locking, 72.00”  
 High Roof Rear/Low Roof Front



2—Crossbar..... (Qty 1)  
 Gen 4, Interlocking, 70.00”  
 Low Roof Rear/High Roof Front



**READ FIRST!**

**Do not mount the Crossbars to an FBM system at this time.**

Refer to the respective FEA Assembly Manual(s) included with your chosen rack configuration features. Depending upon the features chosen, you may need to perform a complete feature assembly onto the Crossbars prior to mounting as noted in that feature’s Assembly Manual.

*WARNING: Failure to position the Crossbars as shown in your FBM Assembly Manual may result in damage to the sliding and/or swinging doors, and/or ladder rack.*

**INSTALLER NOTE:** Base, Clamp Down, or Rotation features are not included in this CBR kit, and must be purchased separately. To purchase applicable features and accessories, please contact your authorized distributor, or a Prime Design Sales & Service Representative.

USAM-CBR0007-US01 Rev-C 0618