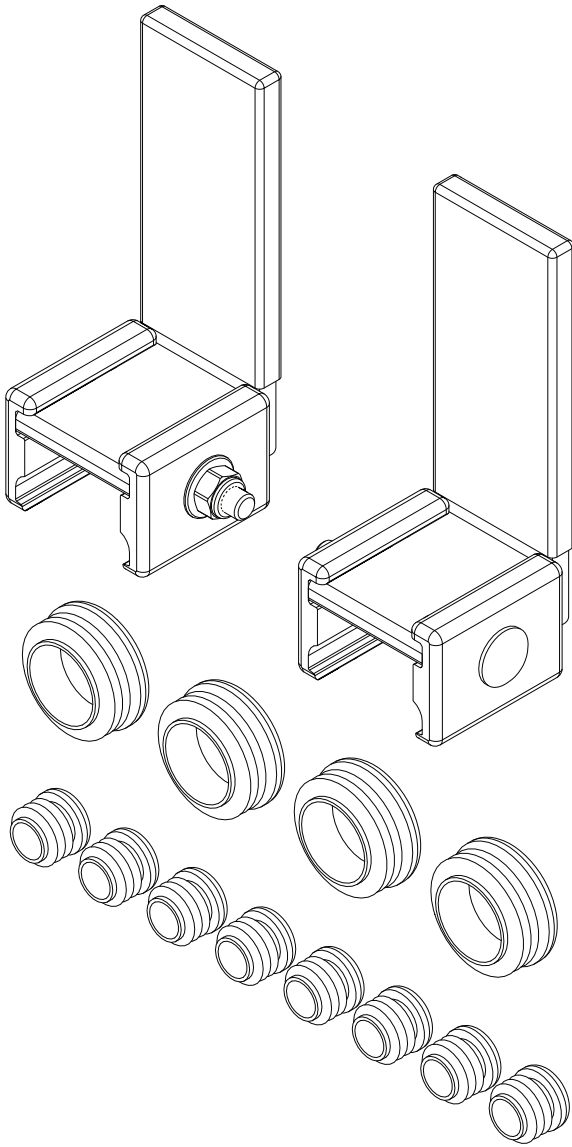


PRIME DESIGN™

A Safe Fleet Brand



BASE LADDER END STOP KIT

PRIME DESIGN, A SAFE FLEET BRAND • Address: 1689 Oakdale Avenue #102, West St Paul, Minnesota 55118
Toll Free: 1.8.PRIME.RACK • Fax: 651-552-1799 • Email: info@primedesign.net • Website: www.primedesign.net



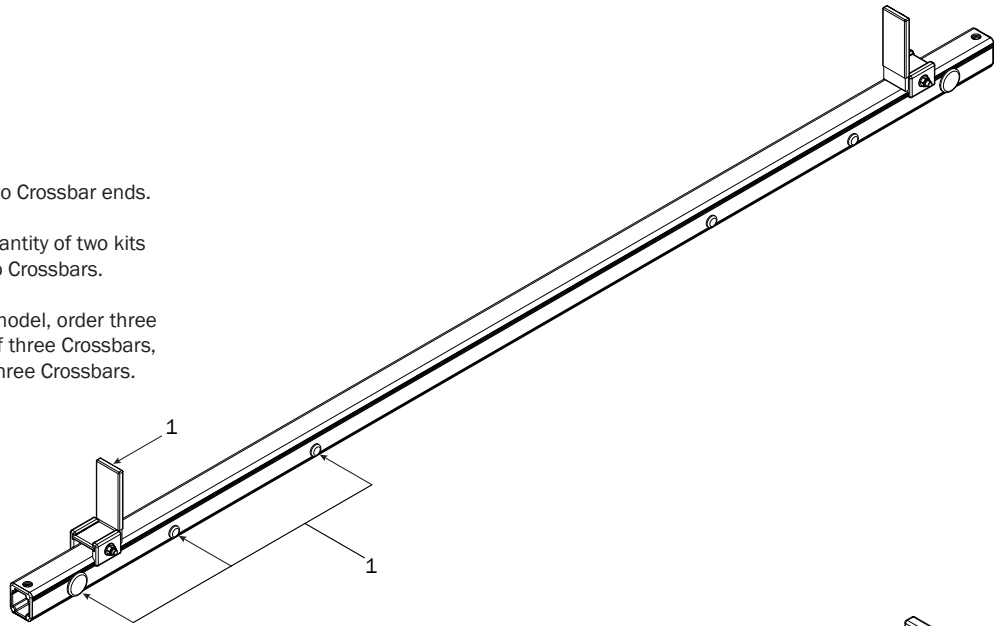
CONTENTS OVERVIEW



One Ladder Stop Kit will be needed for two Crossbar ends.

For a Base/Base (VBB) model, order a quantity of two kits to place Ladder Stops at both ends of two Crossbars.

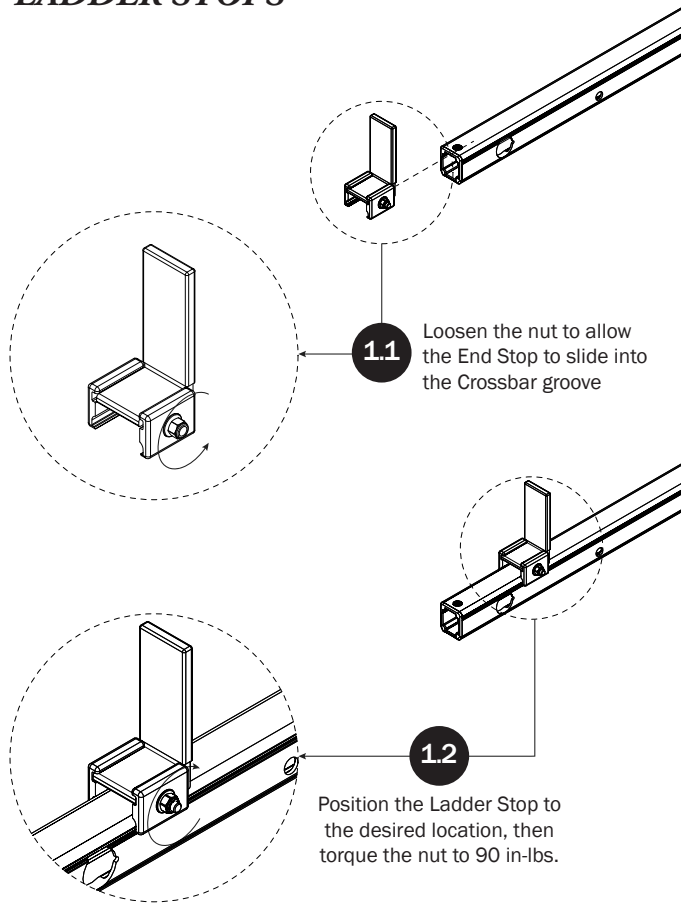
For a three Crossbar Base/Base (VBB3) model, order three kits to place Ladder Stops at both ends of three Crossbars, or two kits to place them on one side of three Crossbars.



1—FEA-0001..... (Qty 1)
Ladder End Stops w/Crossbar Caps

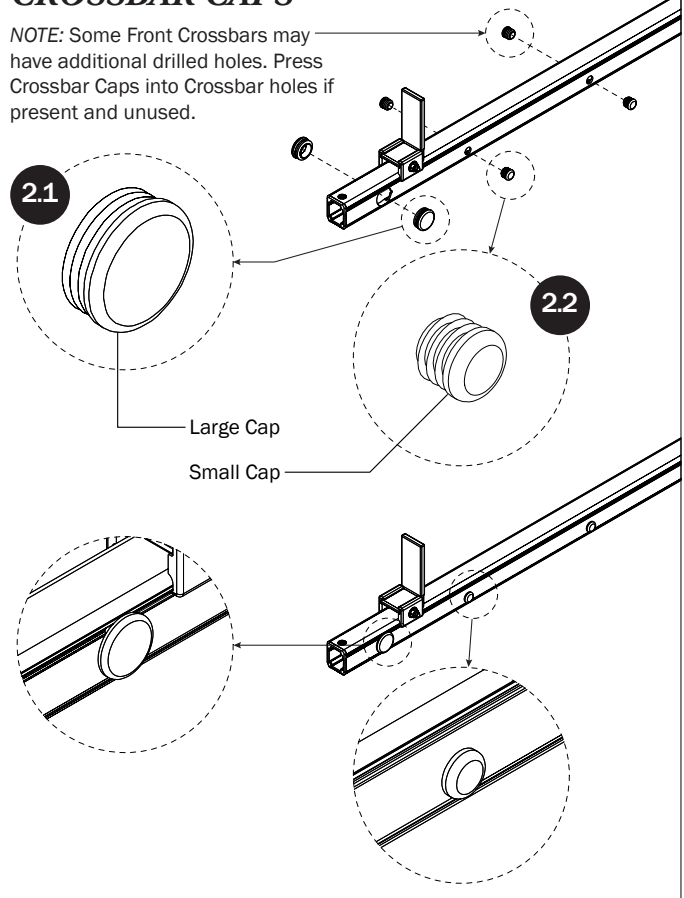


LADDER STOPS



CROSSBAR CAPS

NOTE: Some Front Crossbars may have additional drilled holes. Press Crossbar Caps into Crossbar holes if present and unused.



USAM-FEA0001-US01 Rev-A 0618