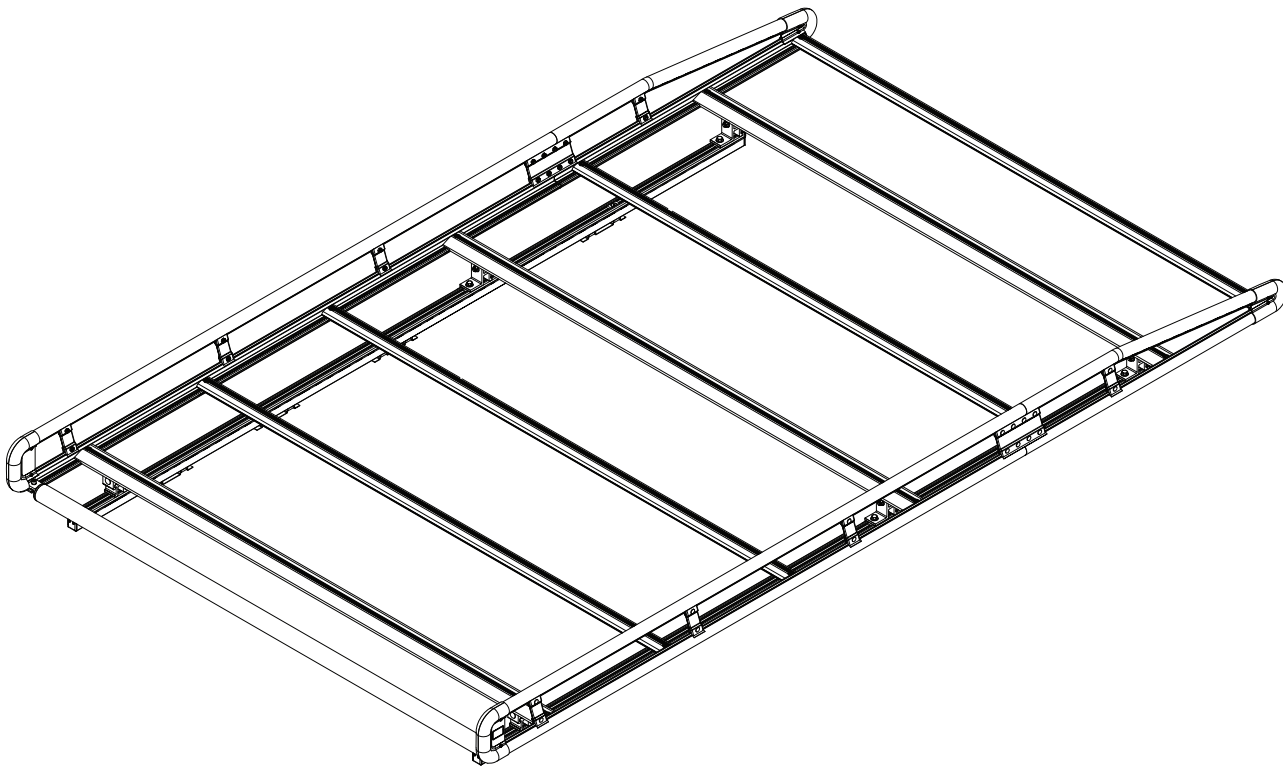


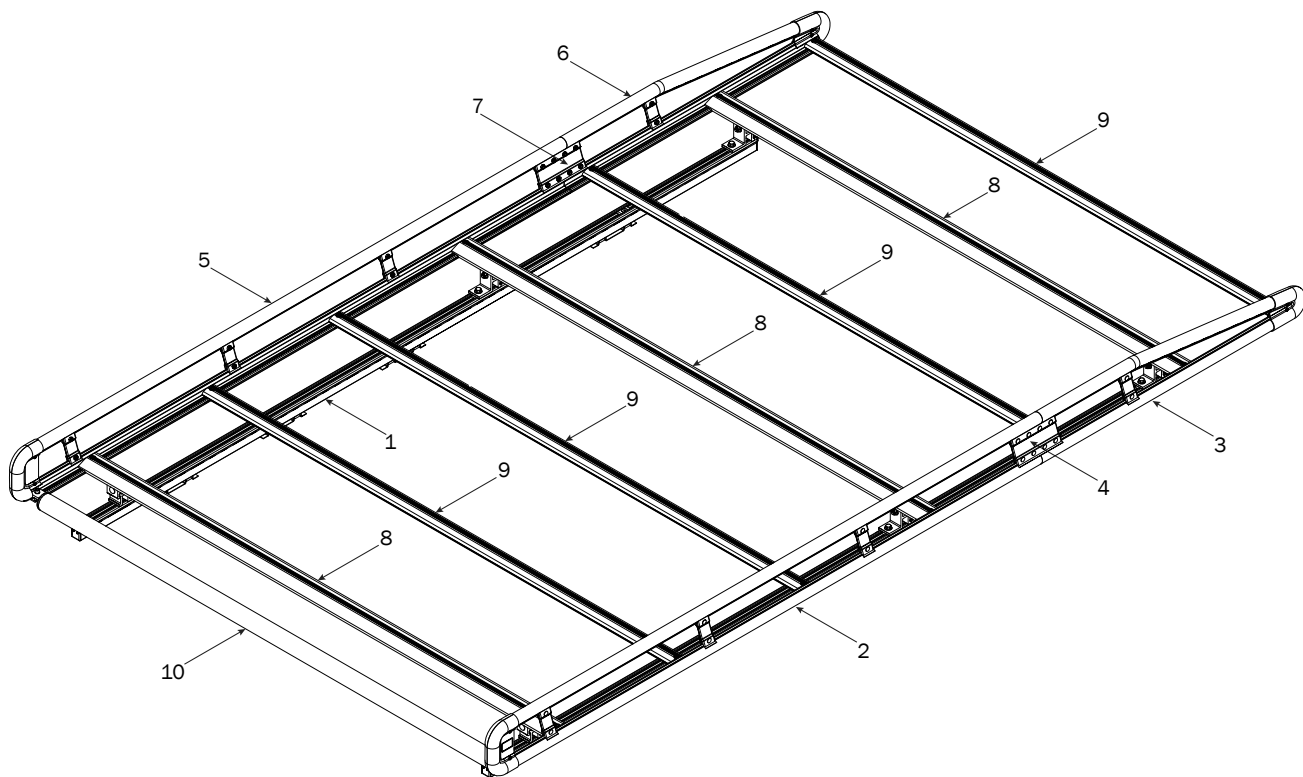
PRIME DESIGN™

A Safe Fleet Brand

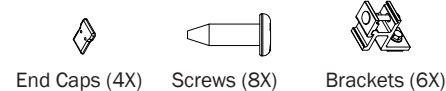
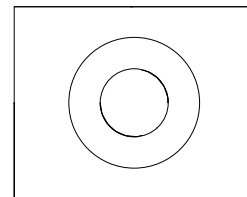
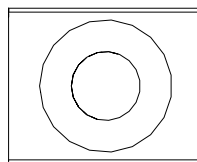
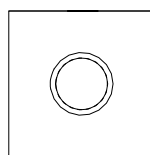
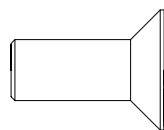
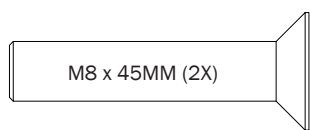


AR1901

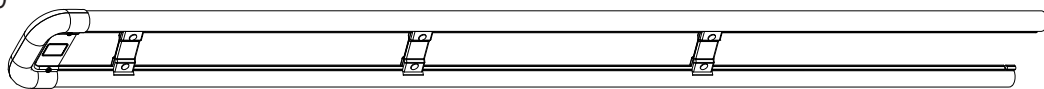
CONTENTS OVERVIEW



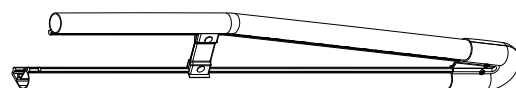
1—FBM3-0049-A..... (Qty 2)
Channels with hardware



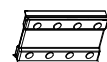
2—Side Rail Assembly..... (Qty 1)
Rear, Right Hand, 76.00"



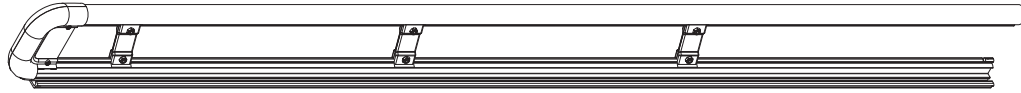
3—Side Rail Assembly..... (Qty 1)
Front, Right Hand, 36.00"



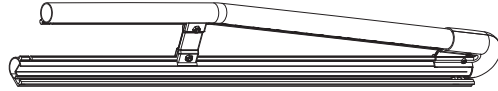
4—Side Rail Connector (Qty 1)
Right Hand, 6.00"



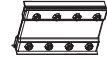
5—Side Rail Assembly (Qty 1)
Rear, Left Hand, 76.00"



6—Side Rail Assembly (Qty 1)
Front, Left Hand, 36.00"



7—Side Rail Connector (Qty 1)
Left Hand, 6.00"



8—AluRack Construction Crossbar (Qty 3)
With hardware, 67.00"



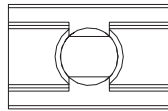
9—AluRack Standard Crossbar (Qty 4)
With hardware, 67.00"



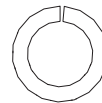
10—Roller Tube Assembly (Qty 1)
With caps, 63.75"



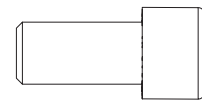
HKT-0082-Hardware Kit



M8 Strip Nut (16X)



M8 Lock Washer (16X)



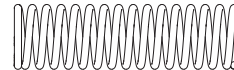
M8 Cap Head Bolt (16X)



Roller Holder (2X)



Roller Tube Pin (2X)



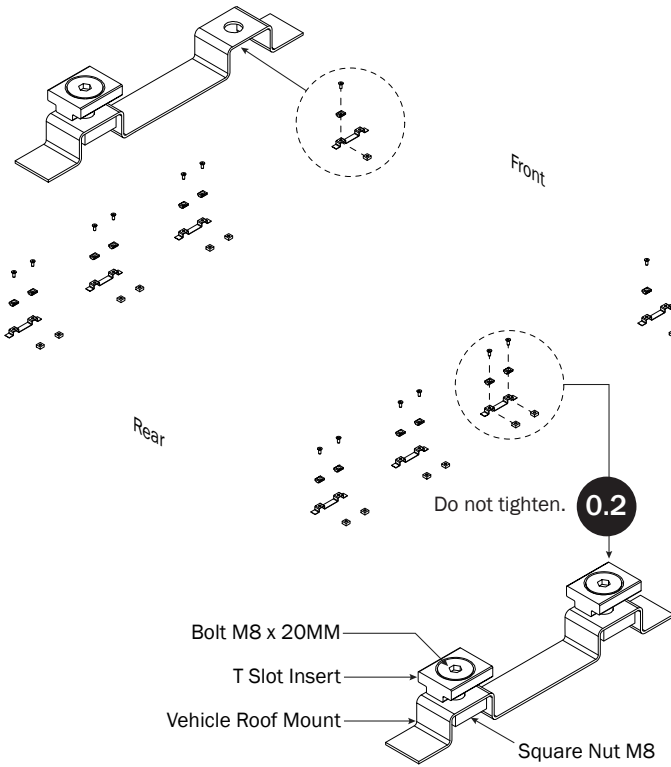
Roller Spring (2X)



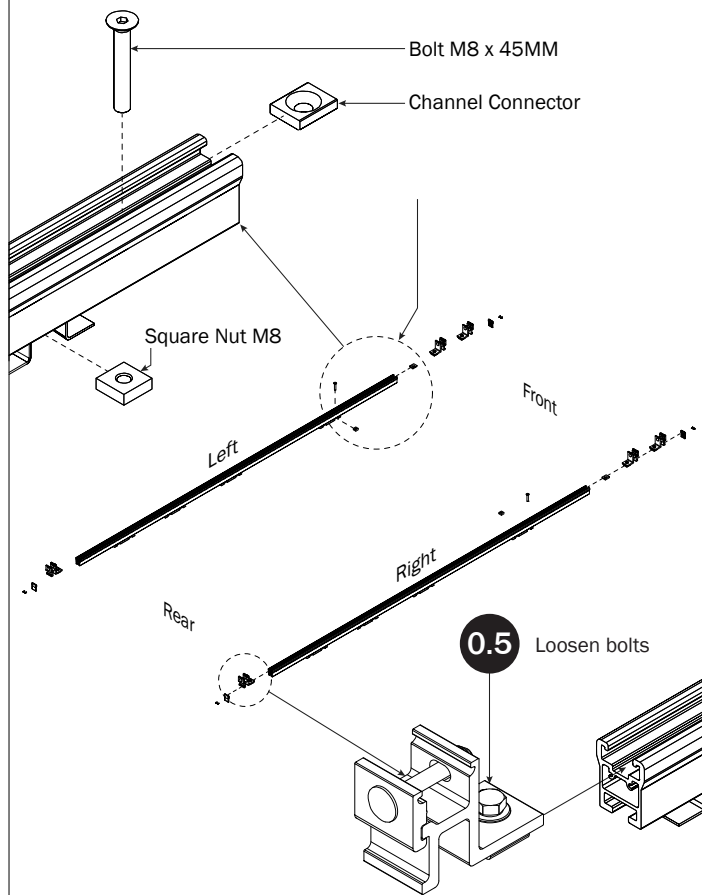
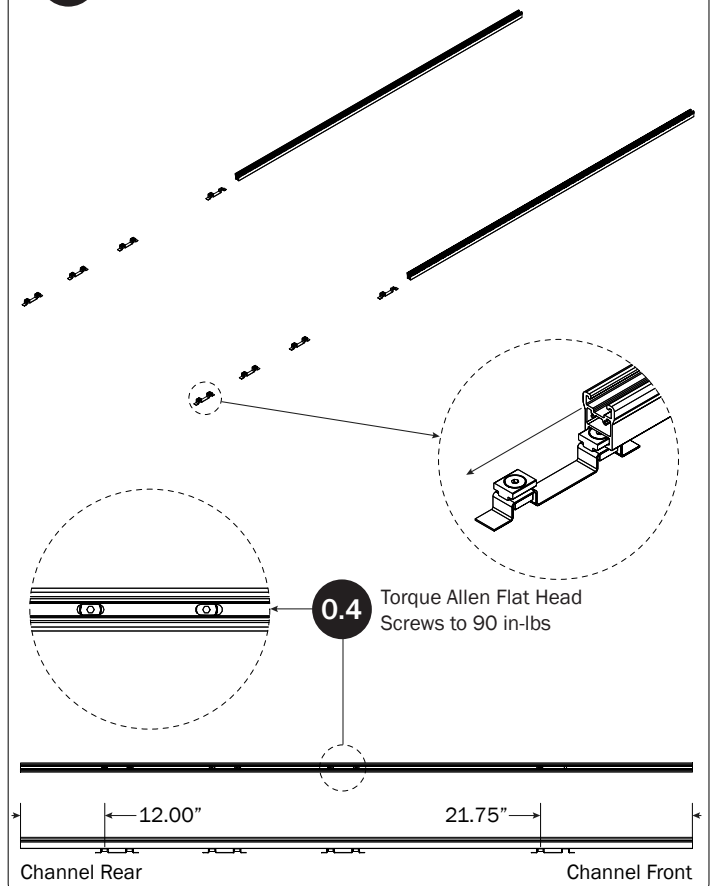
Anti-Seize (1X)

FBM3-0049 MOUNTING SYSTEM CHANNELS TO ROOF

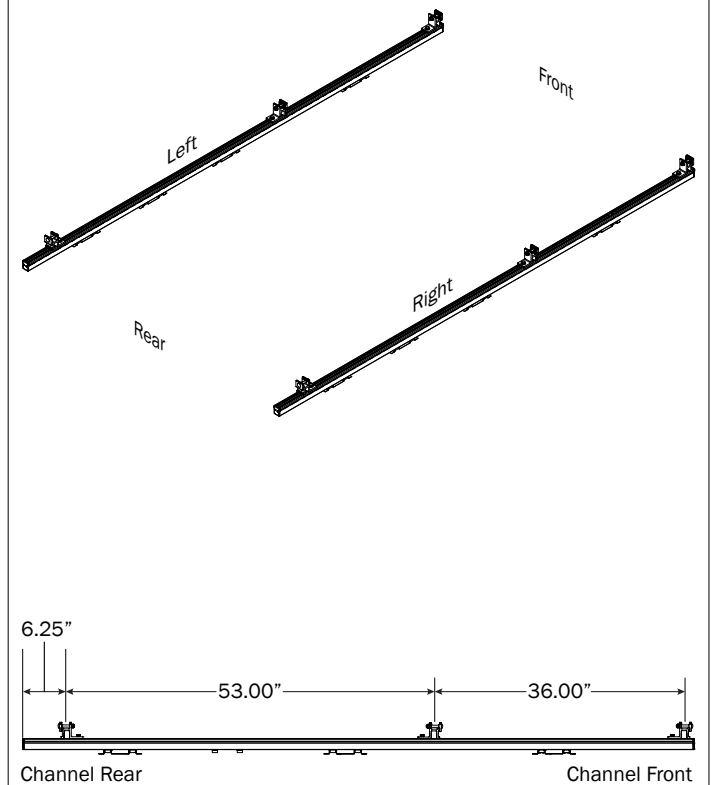
0.1 Assemble Mounts as shown below.



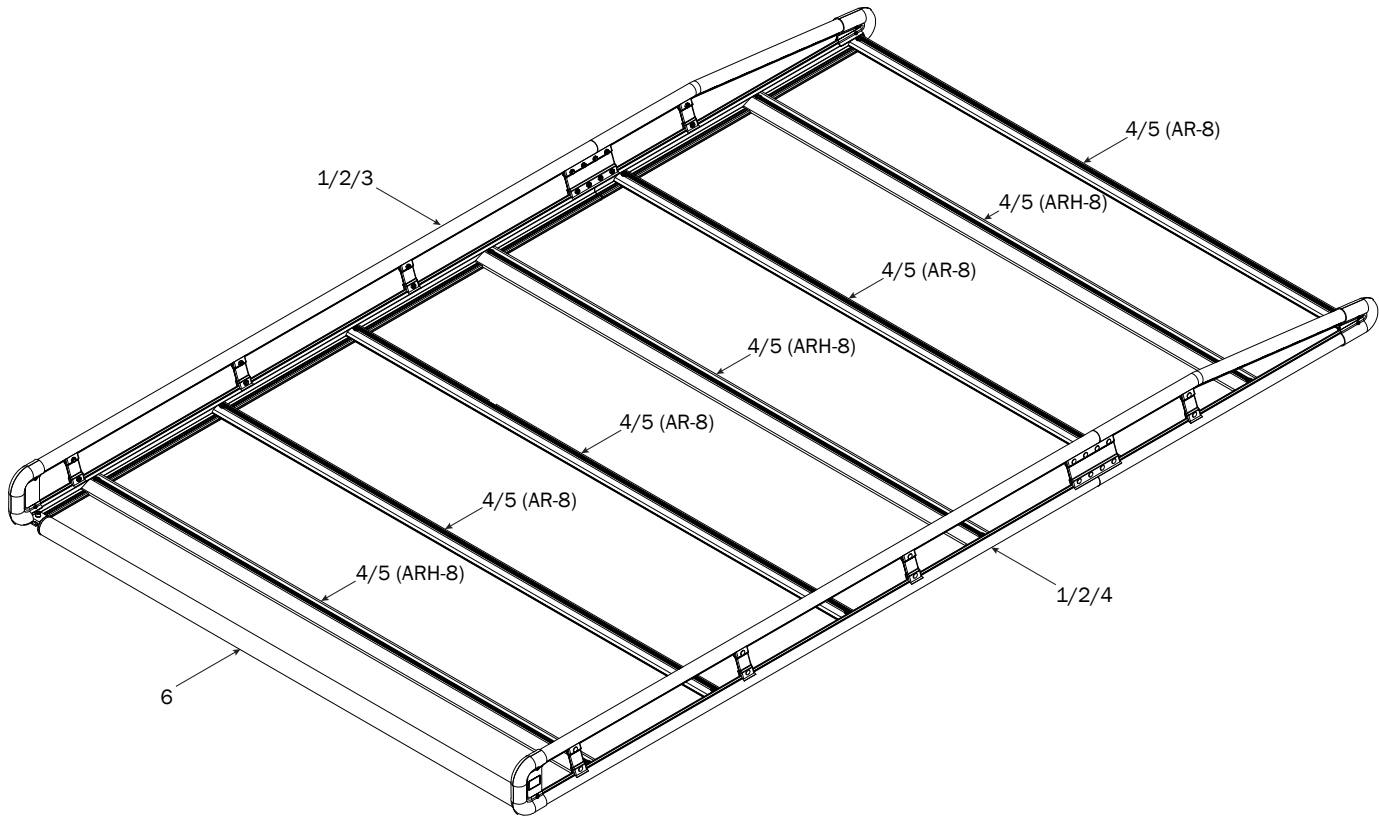
0.3 Slide Channels onto roof Mounts and set distances as shown.



0.6 Set to distances then torque Rear Bracket nuts to 90 in-lbs leaving Center and Front Brackets loose until Step 7.5

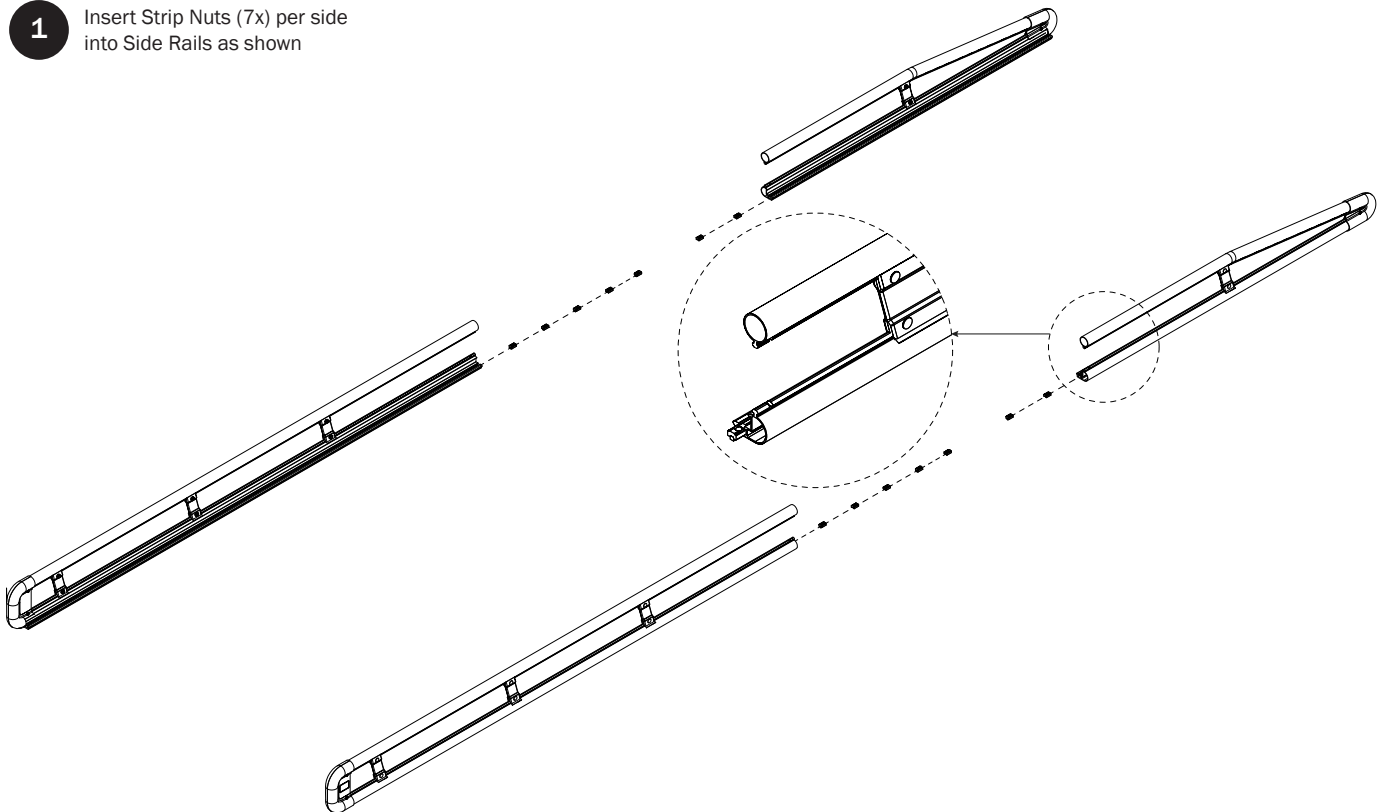


ALURACK ASSEMBLY SEQUENCE



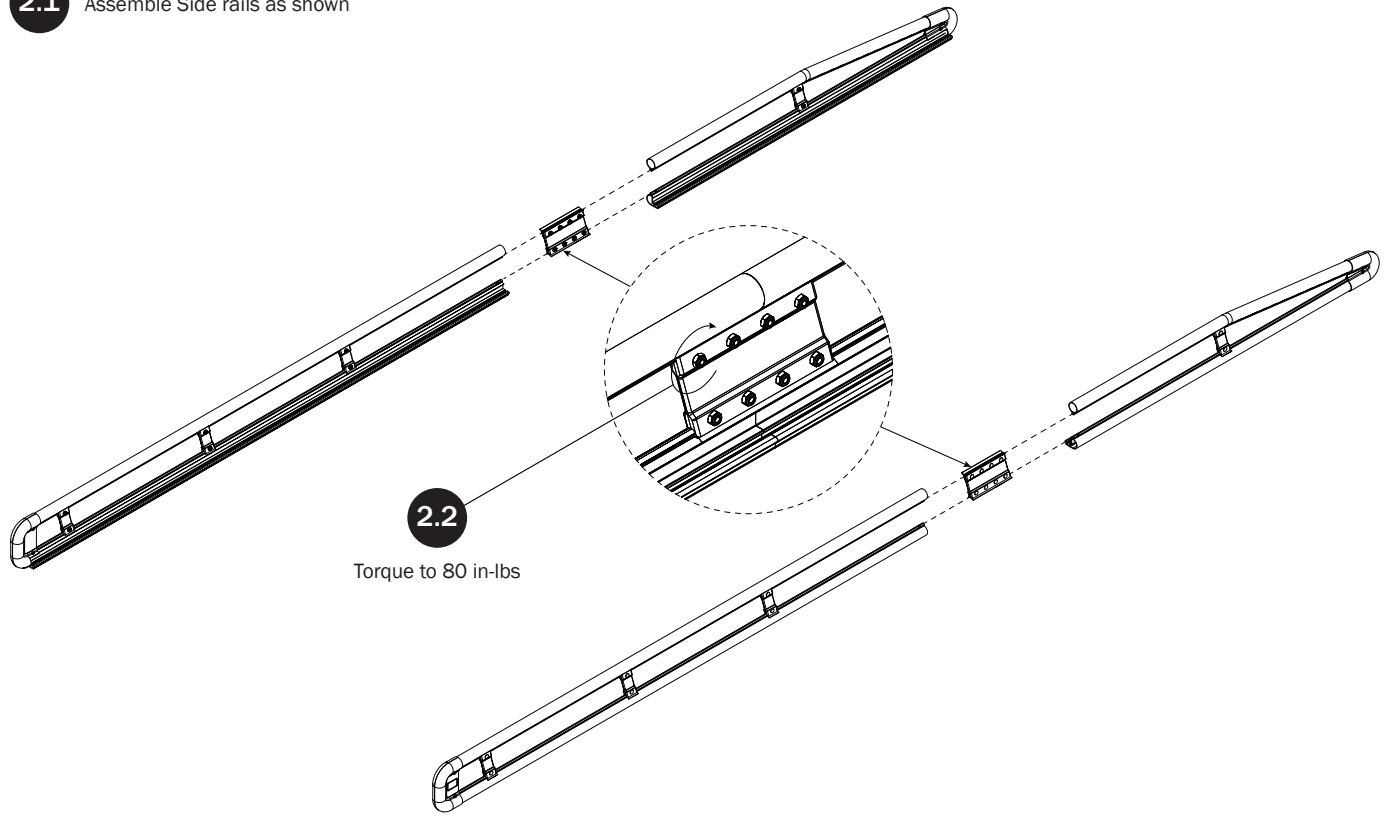
STRIP NUT ASSEMBLY

- 1 Insert Strip Nuts (7x) per side into Side Rails as shown

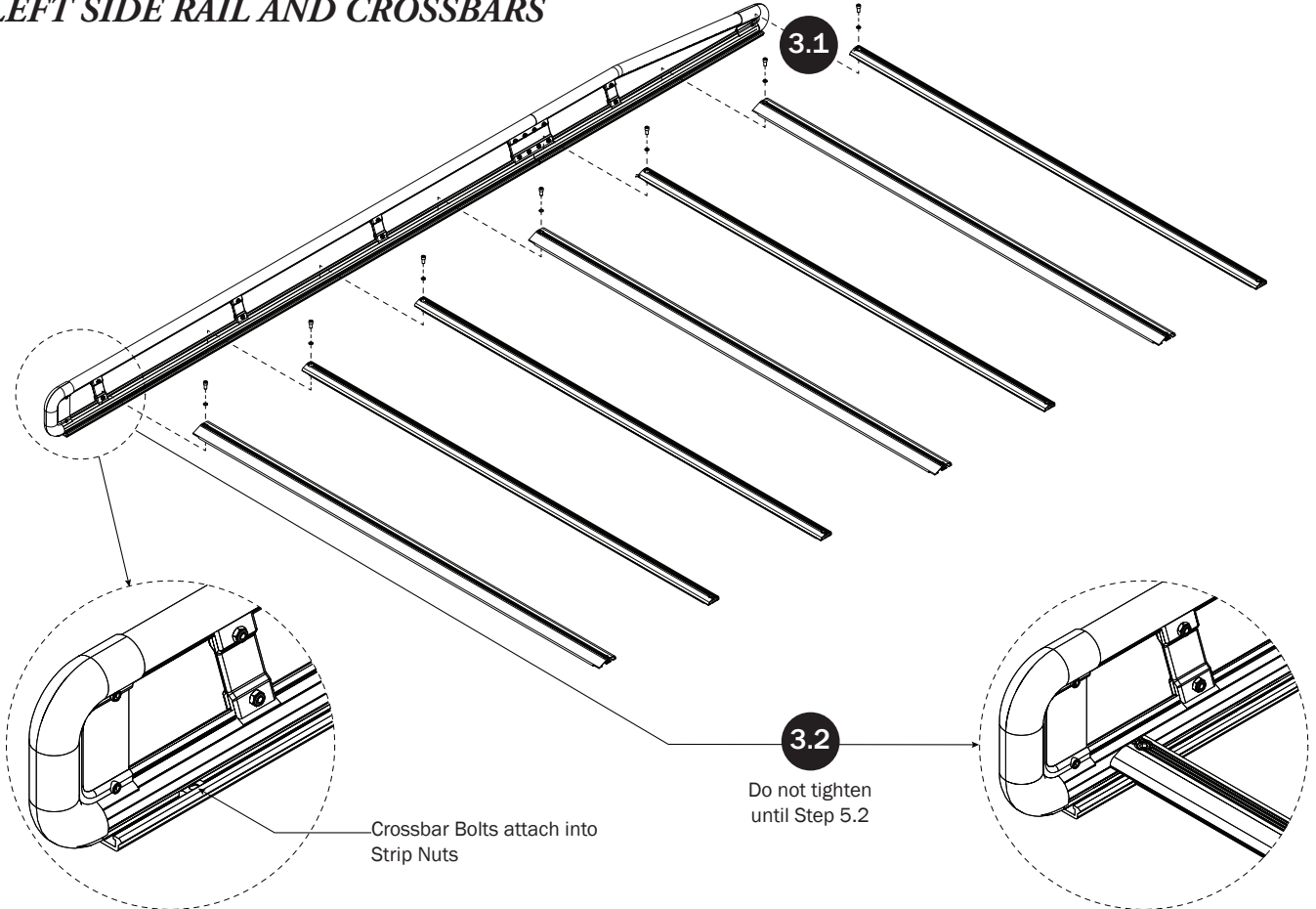


SIDE RAIL ASSEMBLY

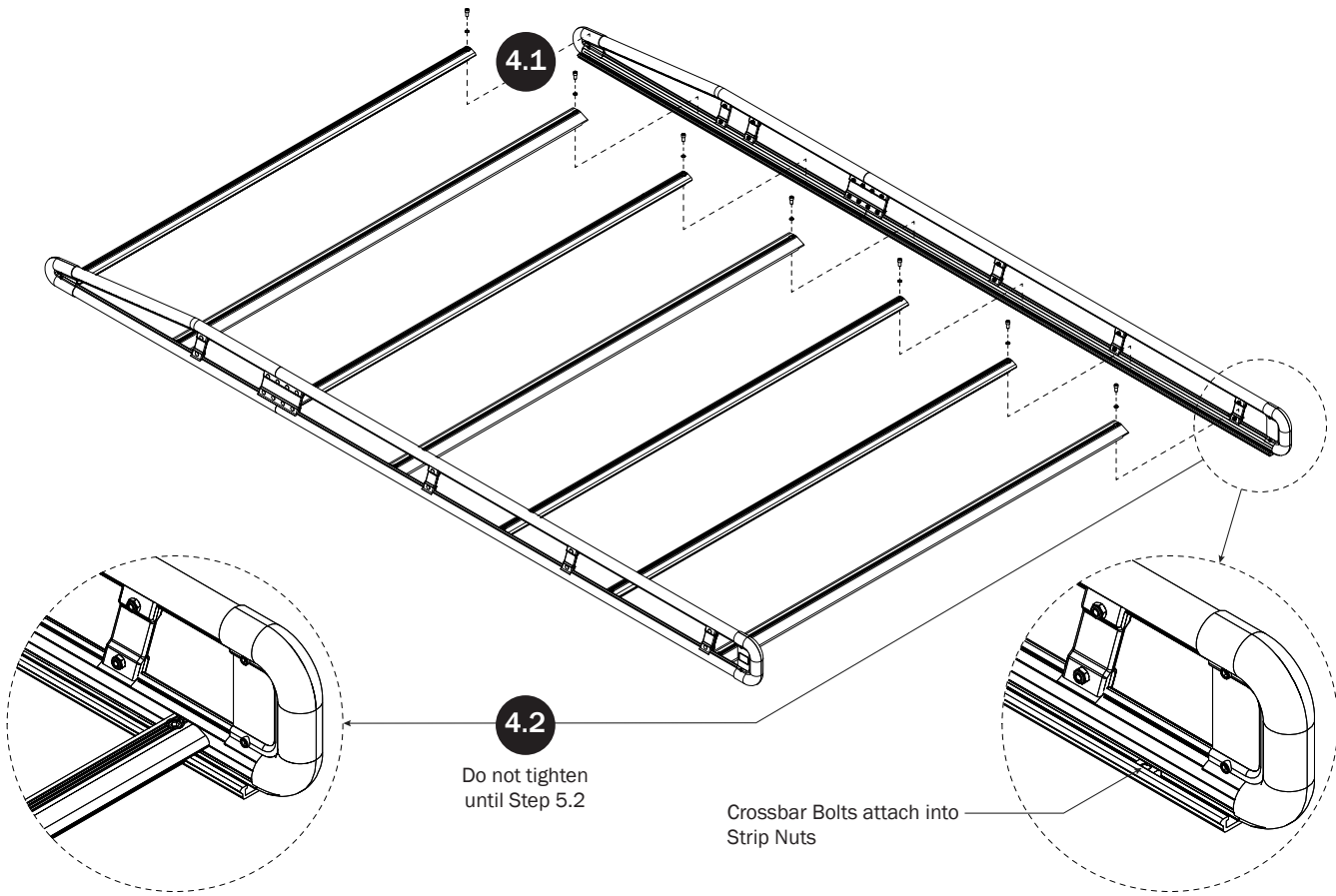
2.1 Assemble Side rails as shown



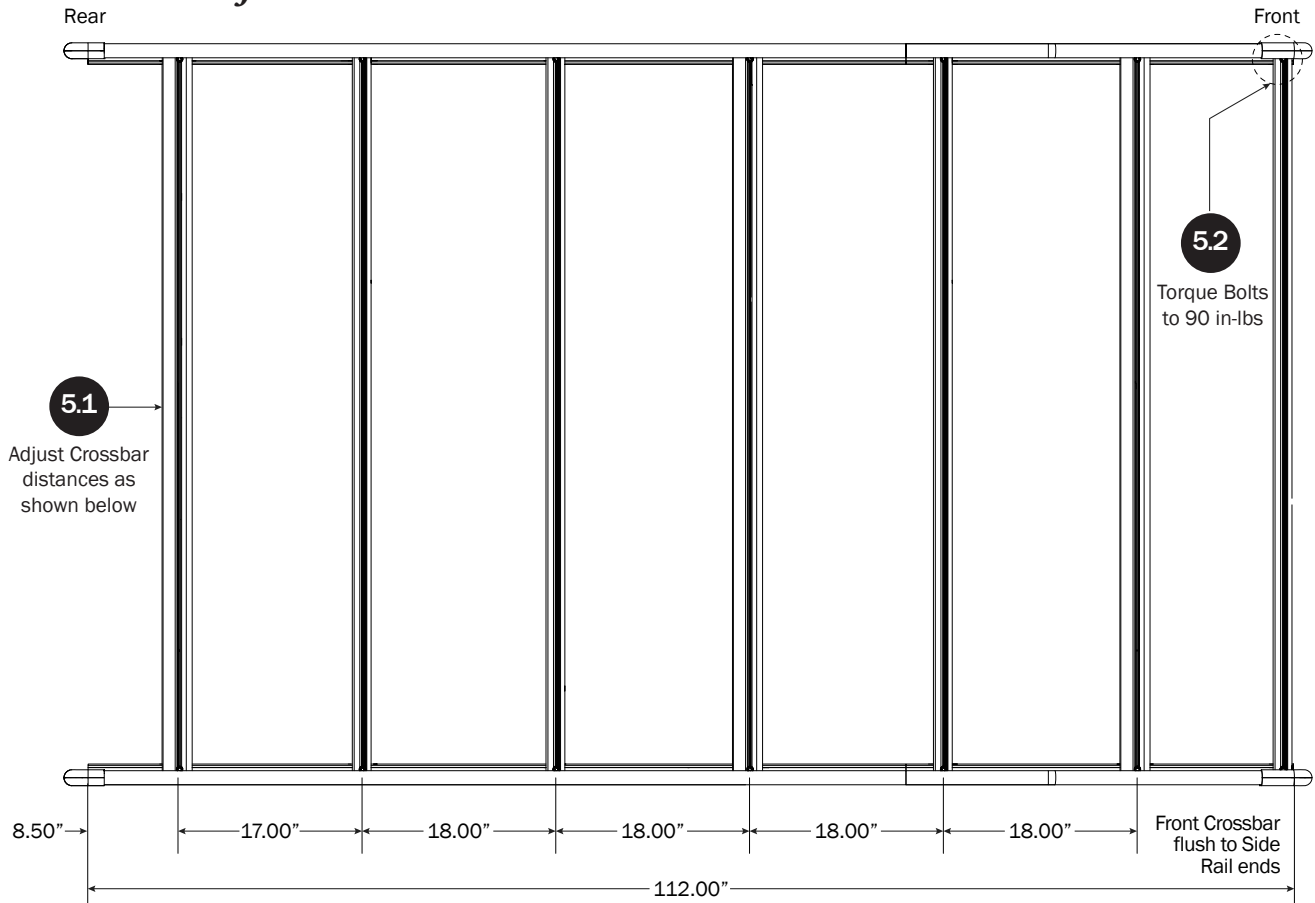
LEFT SIDE RAIL AND CROSSBARS



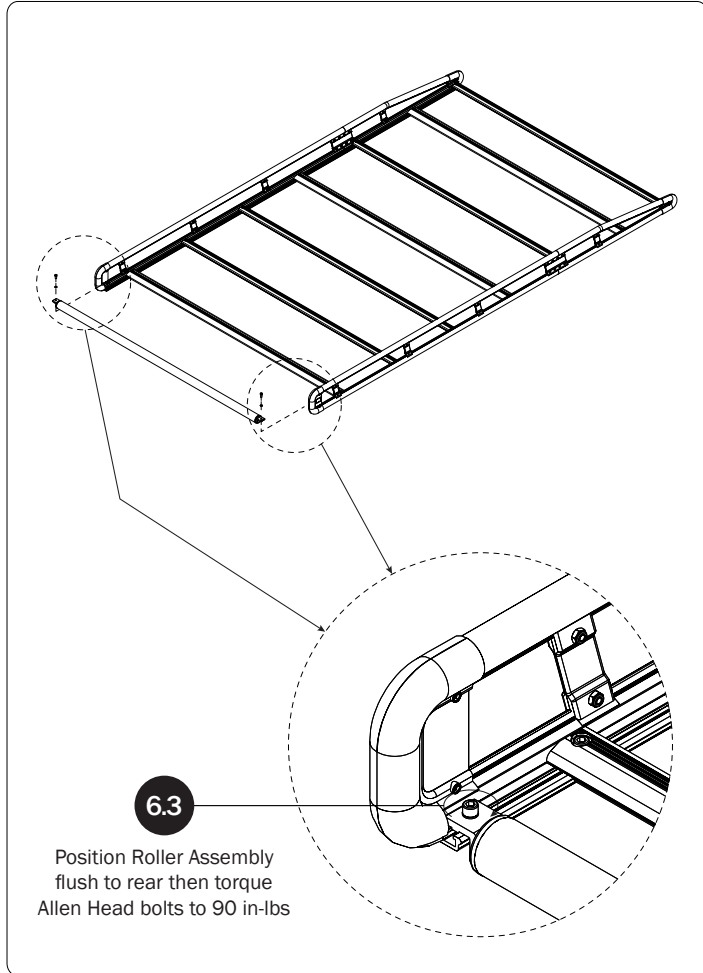
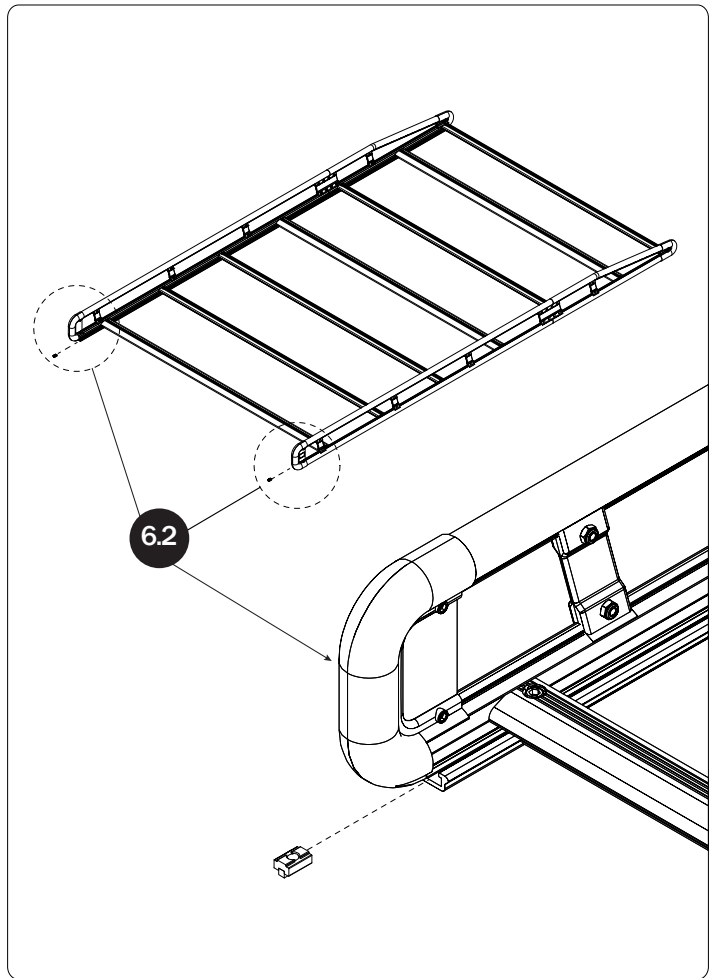
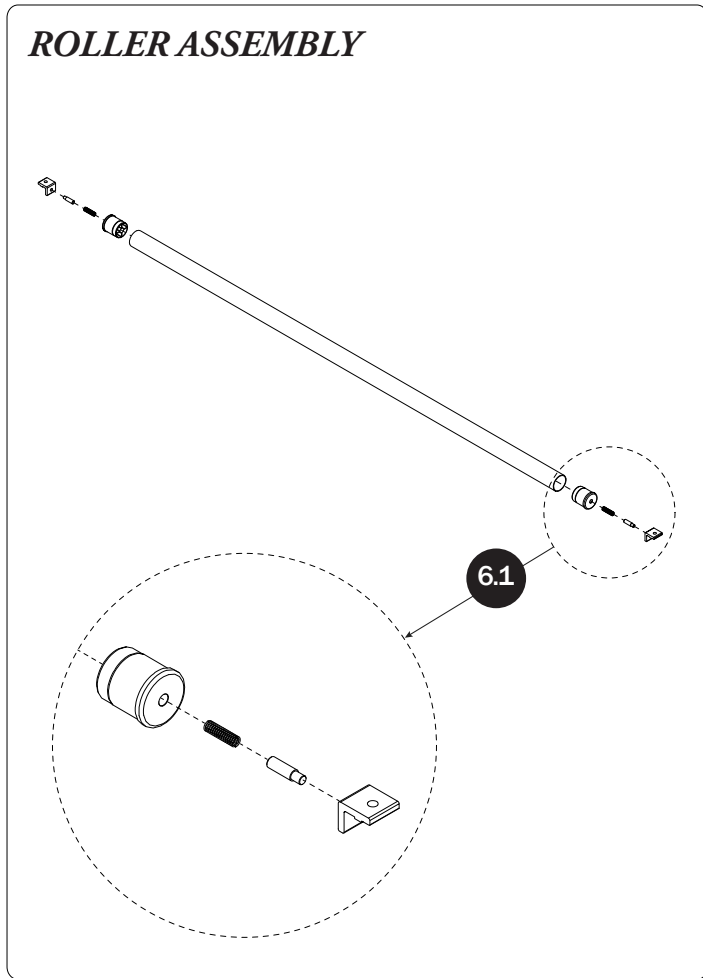
RIGHT SIDE RAIL AND CROSSBARS



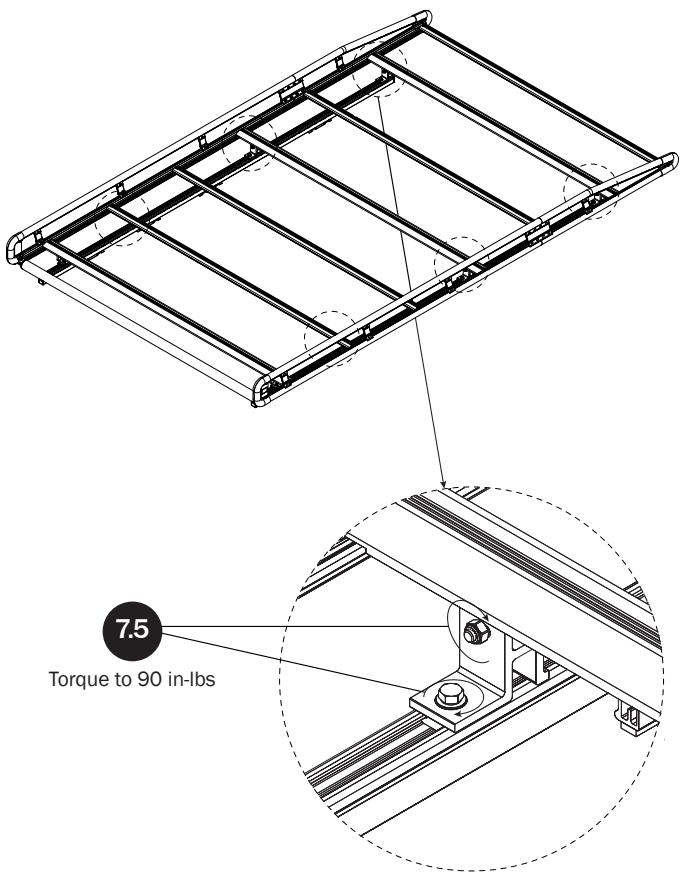
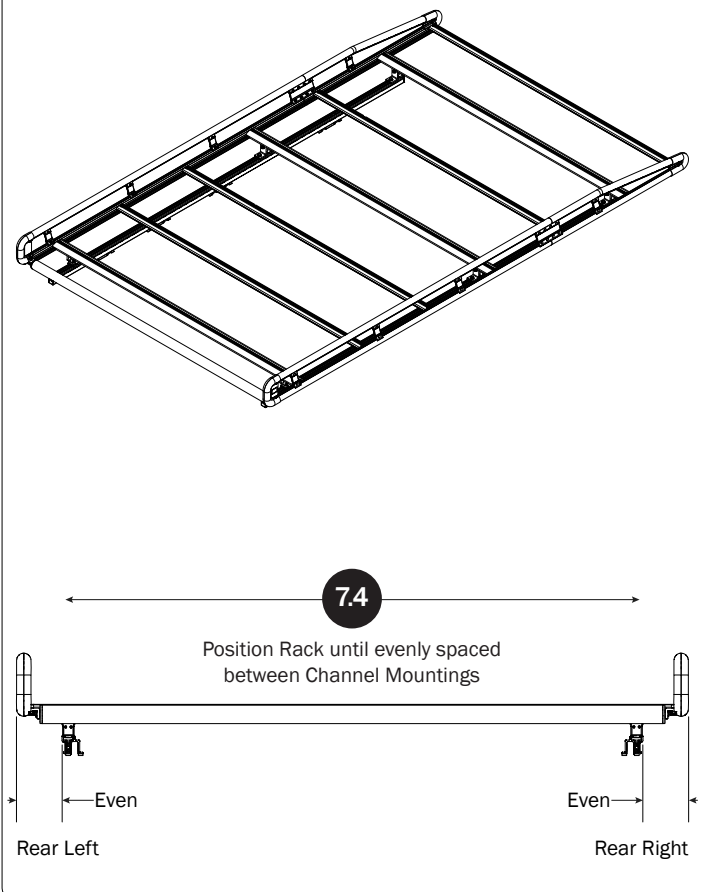
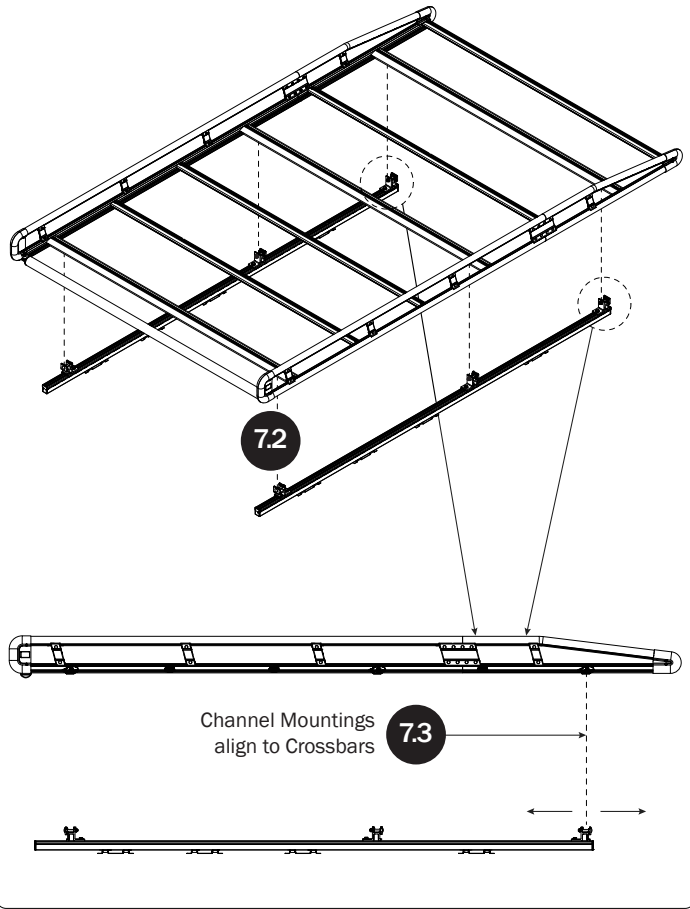
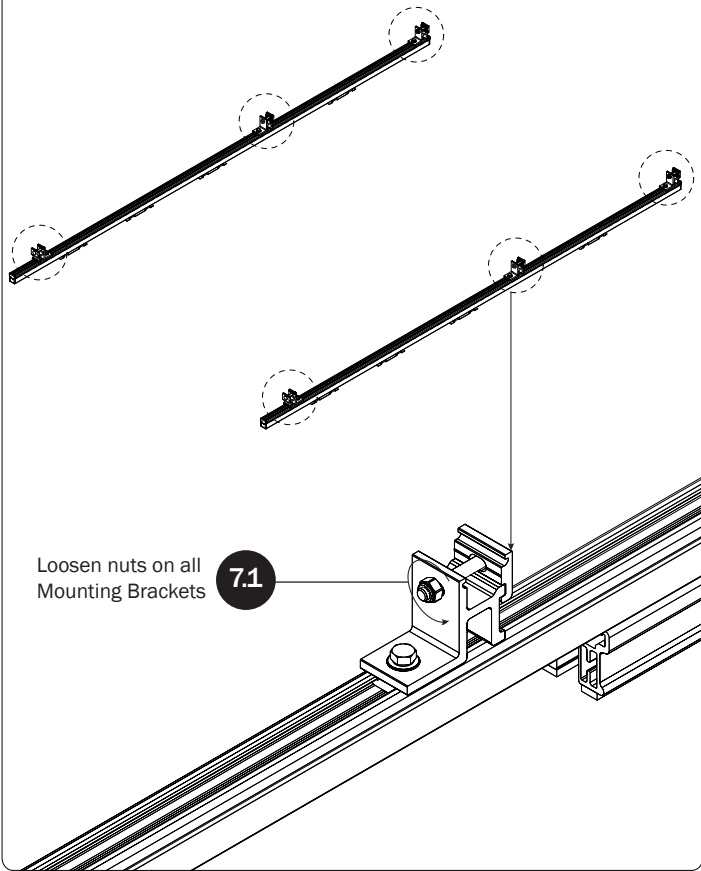
CROSSBAR ADJUSTMENT



ROLLER ASSEMBLY



MOUNTING RACK TO CHANNELS



Page Intentionally Left Blank

Page Intentionally Left Blank

