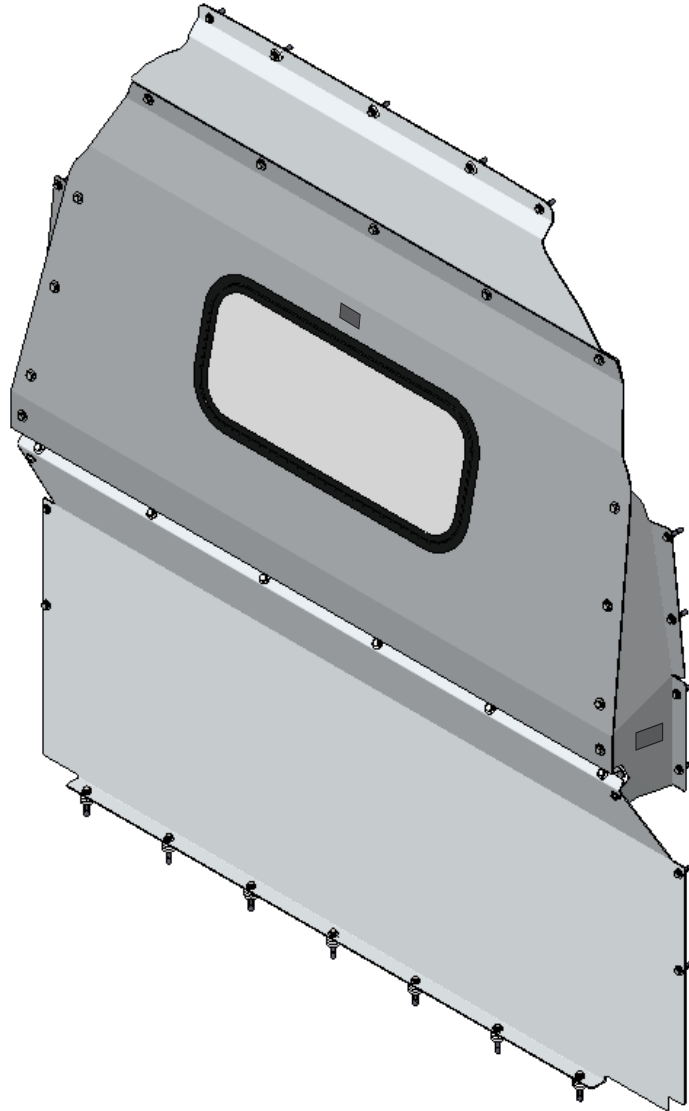


# INSTALLATION GUIDE



## 3020-DH CONTOURED PARTITION

Sprinter ( Tempered Glass Window, Aluminum )



# QUICK START GUIDE

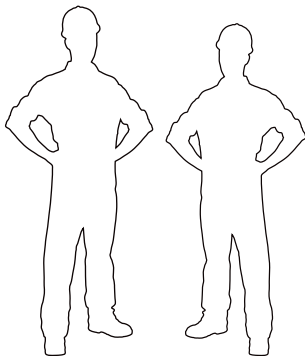
## Phase 1 - Assembly

<input type="checkbox"/> 1.1 Setup.....	3
<input type="checkbox"/> 1.1.1 Unpack components; compare with the bill of materials.....	3
<input type="checkbox"/> 1.1.2 Verify all parts are present.....	3
<input type="checkbox"/> 1.1.3 Identify the assembly and installation fastener bags.....	4
<input type="checkbox"/> 1.2 Partition assembly.....	5
<input type="checkbox"/> 1.2.1 Remove all the PVC from all the parts, then attach top panel to the upper panel.....	5
<input type="checkbox"/> 1.2.2 Attach the upper panel to the lower panel.....	5
<input type="checkbox"/> 1.2.3 Attach both wings to the upper and lower panels.....	6
<input type="checkbox"/> 1.2.4 Attach the edge trims along both sides of the upper and lower panels.....	6

## Phase 2 - Installation

<input type="checkbox"/> 2.1 Tips on how to attach a plusnut.....	7
<input type="checkbox"/> 2.1.1 Attach plusnut using plusnut gun.....	7
<input type="checkbox"/> 2.1.2 Attach plusnut using Ranger plusnut tool.....	7
<input type="checkbox"/> 2.2 Vehicle preparation.....	8
<input type="checkbox"/> 2.2.1 Attaching plusnuts.....	8
<input type="checkbox"/> 2.3 Contoured partition installation.....	9
<input type="checkbox"/> 2.3.1 Attach the upper panel and lower panel to the van.....	9
<input type="checkbox"/> 2.3.2 Bolt both ends of the partition in the van.....	10
<input type="checkbox"/> 2.3.3 Apply the warning label on the upper panel.....	11

# REQUIRED ITEMS



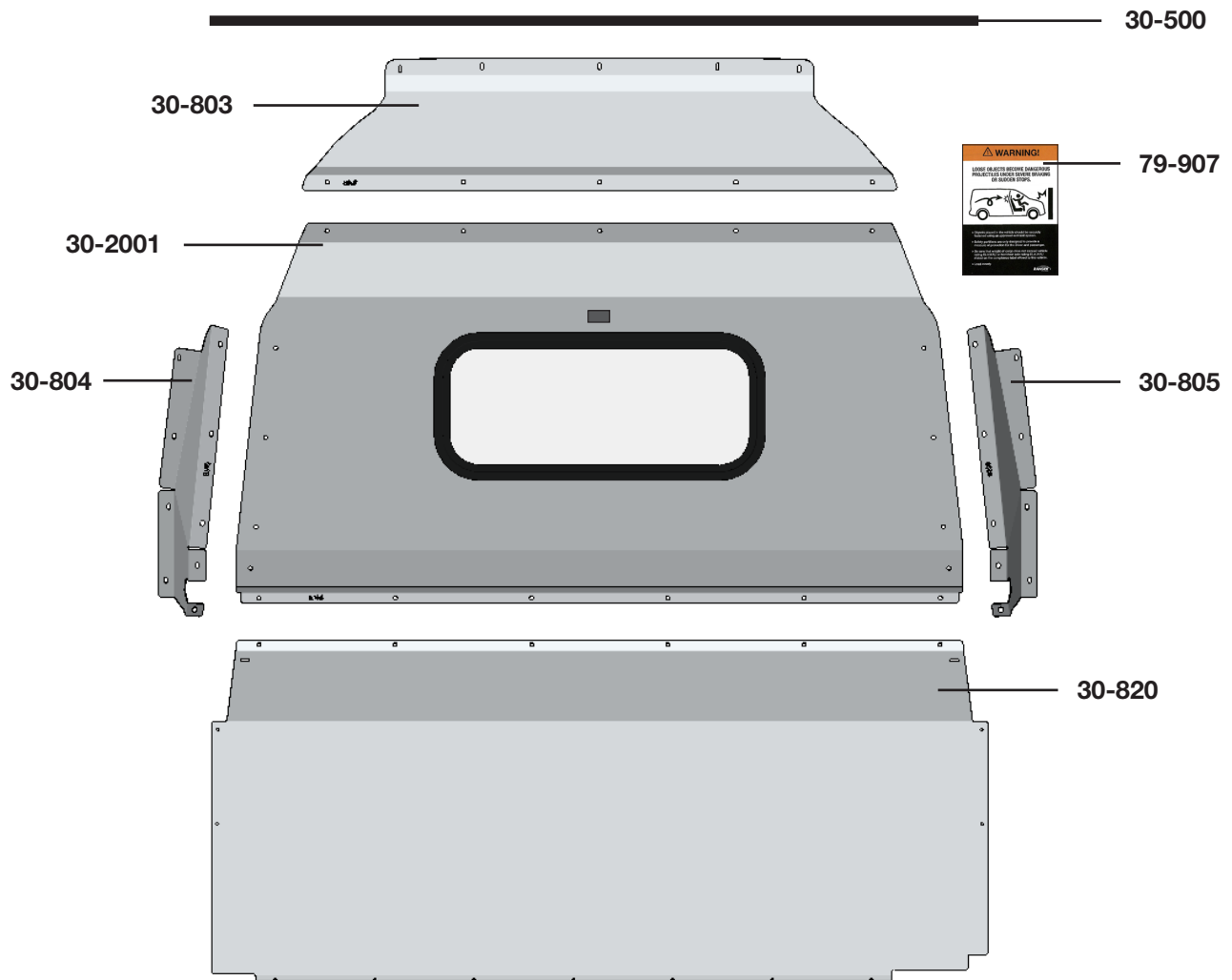
**2**  
**PERSONS**

- Cordless Impact
- Cordless Drill
- Cutter
- Mallet
- Marker
- Plusnut Tool
- Tape Measure
- 3/8" Drill Bit
- 7/16" Socket
- 1/2" Socket
- 9/16" Wrench
- 1" Hole Saw

# PHASE 1 – ASSEMBLY

## 1.1 SETUP

1.1.1 Unpack components; compare with the bill of materials.



1.1.2 Verify all parts are present.

Item No.	Description	Qty.
30-500	Edge Trim ( QTY in Inches )	92
30-803	Top Panel	1
30-804	Driver Side Wing	1
30-805	Passenger Side Wing	1
30-820	Lower Panel	1
79-907	Warning Label	1
30-2001	Upper Panel w/ Window	1
94-3013	Assembly Fastener Bag	1
96-3008	Installation Fastener Bag	1




1.1.3 Identify the **Assembly** and **Installation** fastener bags.

**Assembly Fastener Bag** →

- 21x**  **# 90-204** Hex Bolt  
5/16"-18 x 3/4"  
GR-5 ZINC
- 21x**  **# 94-116** Serrated Nut  
5/16"-18  
ZINC
- 21x**  **# 98-116** Flat Washer  
5/16", 7/8" OD  
ZINC

**Hardware Assembly**

**21x**

-  #90-204 Hex Bolt 5/16" x 3/4"
  -  #98-116 Flat Washer
  -  #94-116 Serrated Nut

**Installation Fastener Bag** →


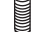


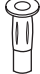
- 17x**  **# 90-114** Hex Bolt  
1/4"-20 x 1"  
GR-5 ZINC
- 7x**  **# 90-130** Hex Bolt  
1/4"-20 x 2"  
GR-5 ZINC
- 24x**  **# 94-130** Plusnut .250
- 24x**  **# 98-112** Flat Washer  
1/4", 3/4" OD  
ZINC
- 24x**  **# 98-118** Lock Washer  
Regular 1/4"  
ZINC
- 21x**  **# 98-157** Spacer  
0.375" ID, x 1.0" OD x 0.25" L  
NYLON

**Hardware Assembly**

**17x**

-  #90-114 Hex Bolt 1/4" x 1"
  -  #98-118 Lock Washer
  -  #98-112 Flat Washer
  -  #94-130 Plusnut .250

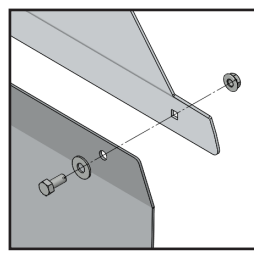
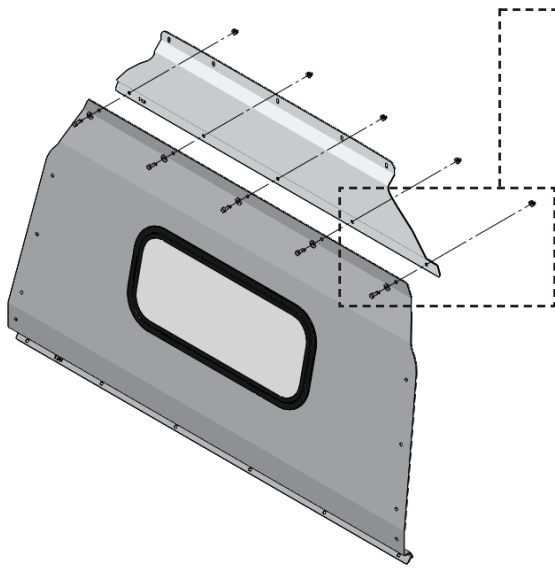
**7x**

-  #90-130 Hex Bolt 1/4" x 2"
  -  #98-118 Lock Washer
  -  #98-112 Flat Washer
  -  #98-157 Spacers ( 3 )
  -  #94-130 Plusnut .250

# PHASE 1 – ASSEMBLY

## 1.2 PARTITION ASSEMBLY

1.2.1 Remove all the PVC from all the parts, then attach top panel to the upper panel.






**TOOLS**

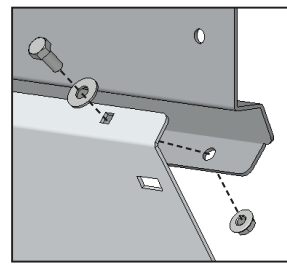
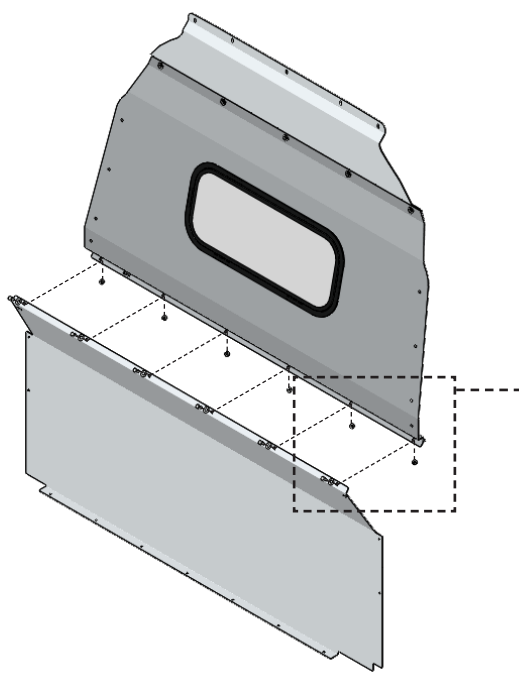
- Cordless Impact
- 1/2" Socket

**HARDWARE USED**

**5x**

	#90-204 Hex Bolt 5/16" x 3/4"
	#98-116 Flat Washer
	#94-116 Serrated Nut

1.2.2 Attach the upper panel to the lower panel.






**TOOLS**

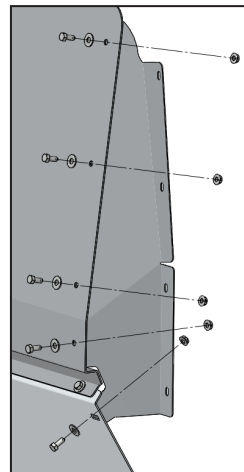
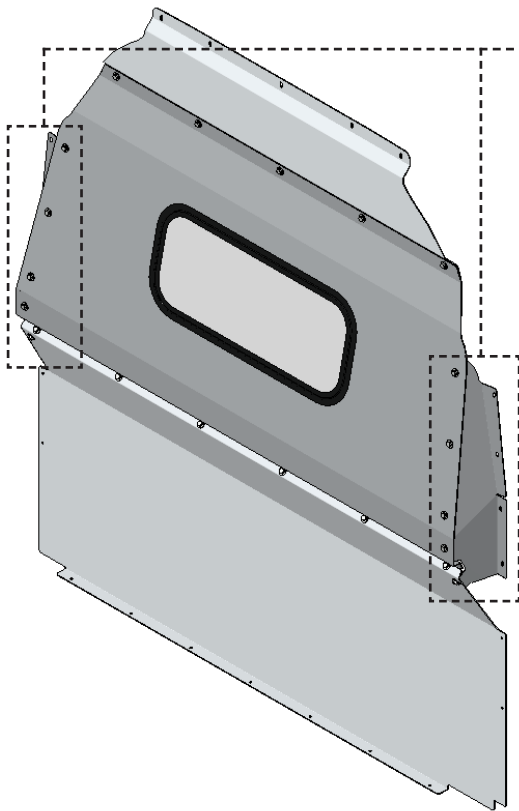
- Cordless Impact
- 1/2" Socket

**HARDWARE USED**

**6x**

	#90-204 Hex Bolt 5/16" x 3/4"
	#98-116 Flat Washer
	#94-116 Serrated Nut

**1.2.2** Attach both wings to the upper and lower panels.






**TOOLS**

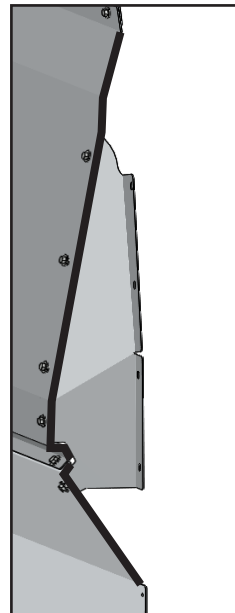
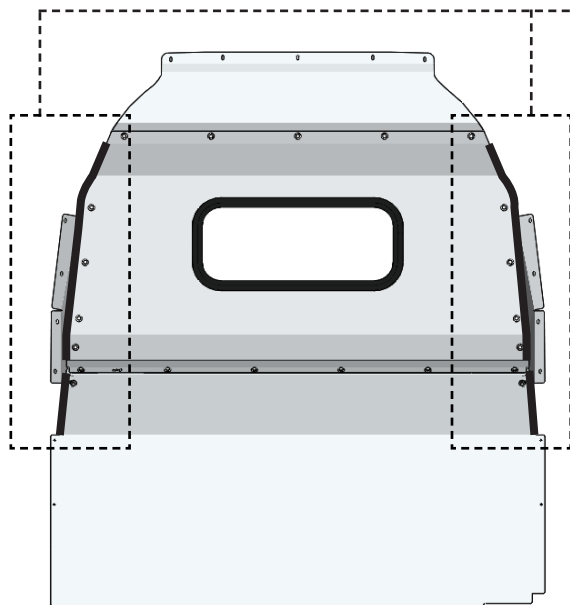
- Cordless Impact
- 1/2" Socket

**HARDWARE USED**

**10x**

-  #90-204 Hex Bolt 5/16" x 3/4"
-  #98-116 Flat Washer
-  #94-116 Serrated Nut

**1.2.3** Attach the edge trims along both sides of the upper and lower panels.



**TOOLS**

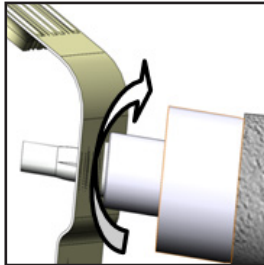
- Mallet
- Cutter

# PHASE 2 – INSTALLATION

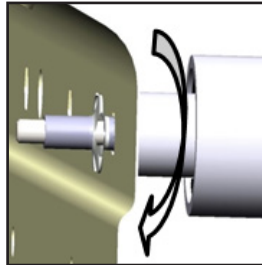
## 2.1 TIPS ON HOW TO ATTACH A PLUSNUT

### 2.1.1 Attach the plusnut using the plusnut gun.

**TIPS:** Put the plusnut on the plusnut gun, then attach the plusnut in the hole by turning the gun forward until the plusnut locks, then remove the gun by turning in reverse.



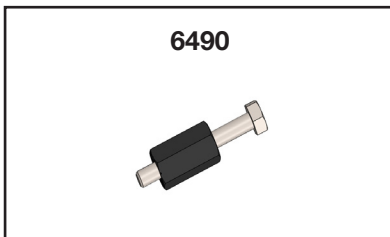
**FORWARD**



**REVERSE**



### 2.1.2 Attach the plusnut using the 6490 plusnut tool.

**NOTE:** The hardware used for the 6490 plusnut tool is not included in the fastener bag. The 6490 plusnut tool can be ordered separately upon demand at no charge.



**6490**

#### HARDWARE USED

-  Flat washer 1/4"
-  Flat washer 1/4" BS x 3/4" OD

#### TOOLS

- Cordless Impact
- 7/16" Socket
- 9/16" Wrench

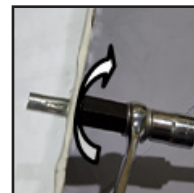
#### TIPS STEP 1:

Assemble the 6490 plusnut tool with the hardware needed, plusnut and the 9/16" wrench as shown.



#### TIPS STEP 2:

Attach the plusnut in the hole by turning the bolt forward using an impact with a 7/16" socket until the plusnut locks, then remove the bolt by turning the impact in reverse.



**FORWARD**

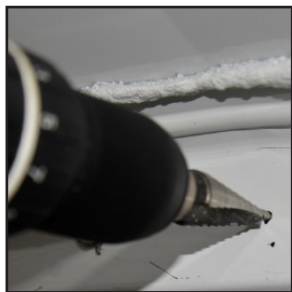
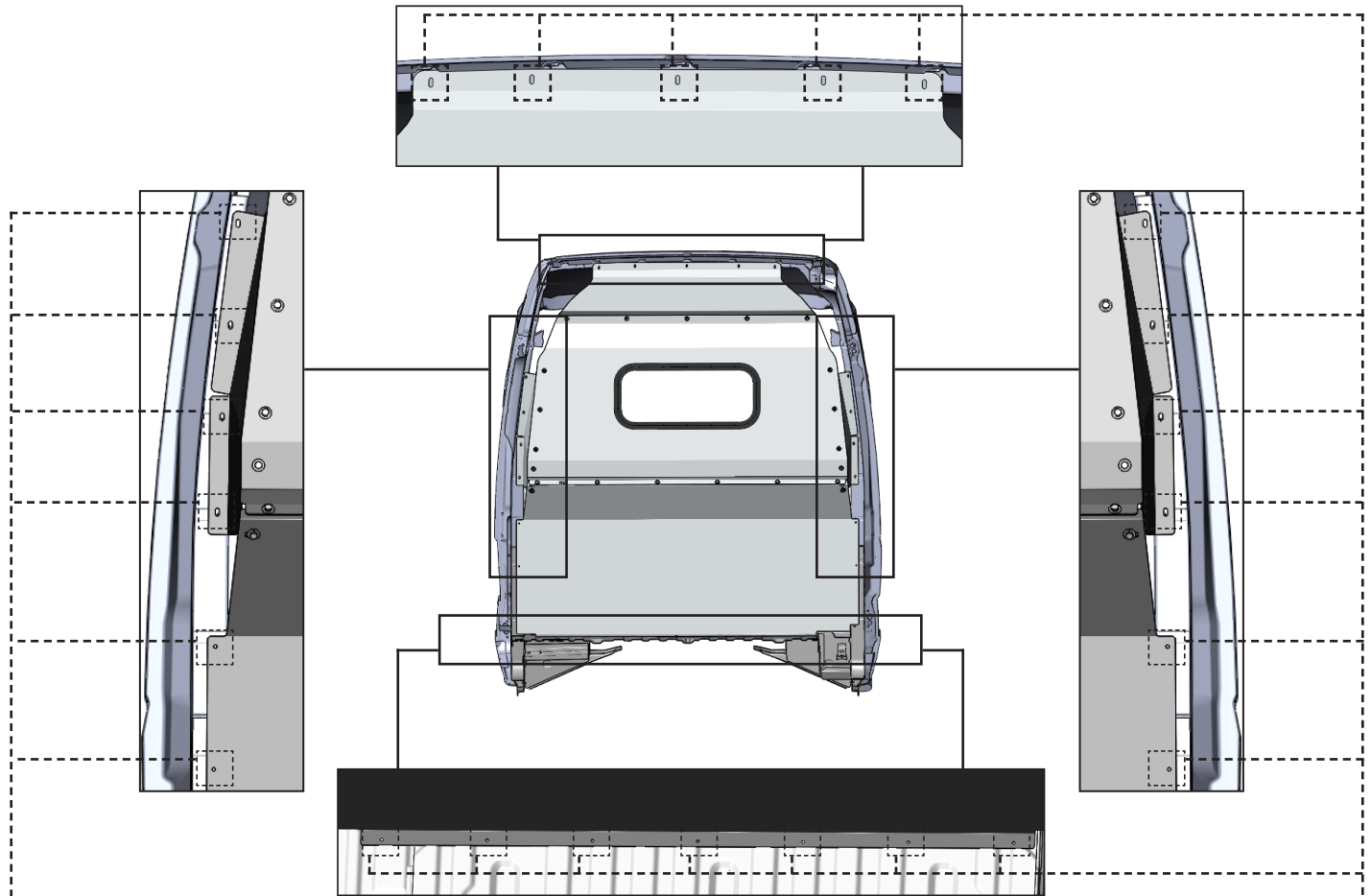


**REVERSE**

# PHASE 2 – INSTALLATION

## 2.2 VEHICLE PREPARATION

### 2.2.1 Attaching plusnuts.



Check all holes of the partition if they are aligned in the holes of the van, then enlarge all the holes in the van that align with the holes of the partition using 3/8" drill bit or step drill.

**NOTE:** • Make new holes in the van if the holes are not aligned with the hole of the partition.

• If the van has a rubber or wood floor use a 1" hole saw to drill the floor and use a 3/8" drill bit or step drill to make a hole in the van (make sure the holes are aligned with the holes of the partition.)

#### TOOLS

Cordless Drill    3/8" Drill Bit or Step Drill    1" Hole Saw



Attach a plusnuts in the holes.

#### TOOLS

Plusnut Tool

#### HARDWARE USED

**24x**



# 94-130  
Plusnut .250

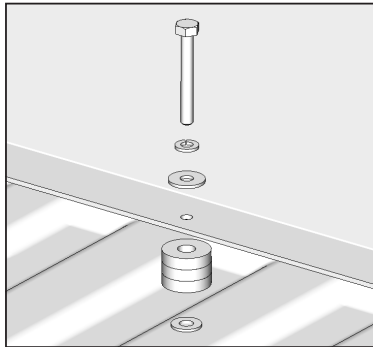
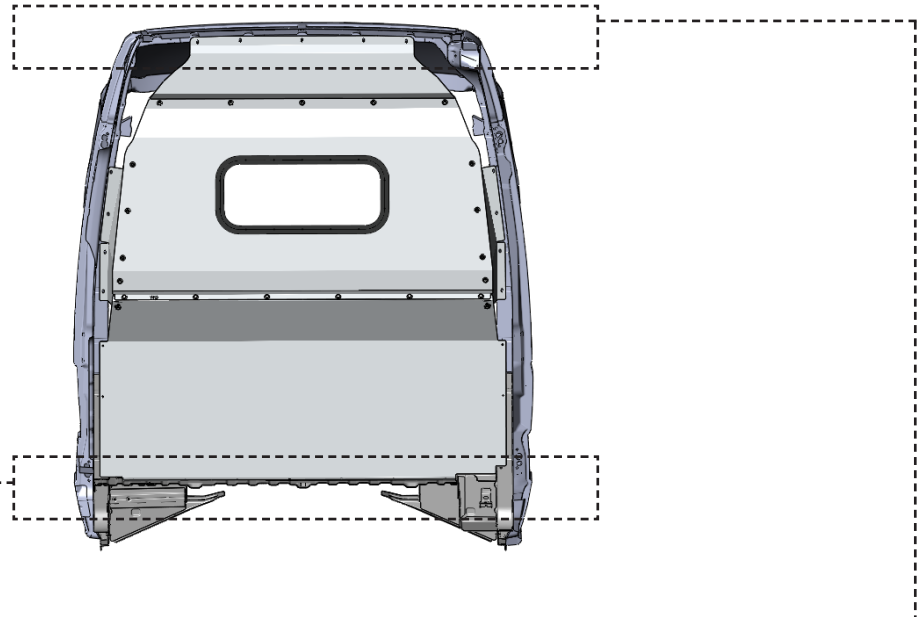


# PHASE 2 – INSTALLATION

## 2.3 CONTOURED PARTITION INSTALLATION

2.3.1 Attach the upper panel and lower panel to the van.

**NOTE:** Use spacers to make the floor level, if you have a rubber or wood floor use 2 to 3 spacers to make the floor level.

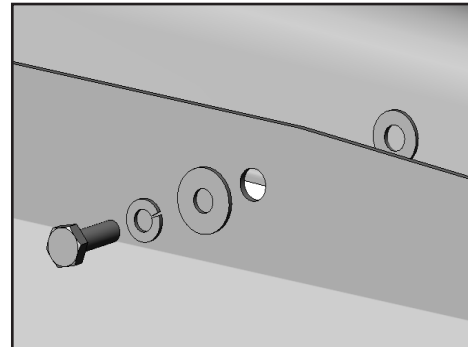
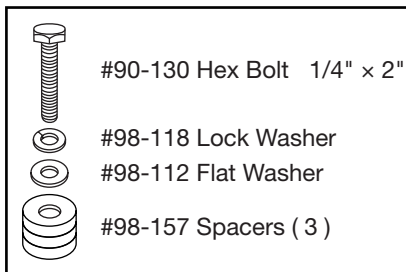


### TOOLS

- Cordless Impact
- 7/16" Socket

### HARDWARE USED

7x

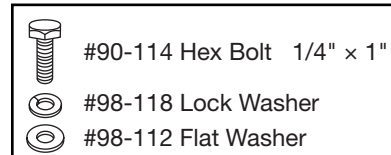


### TOOLS

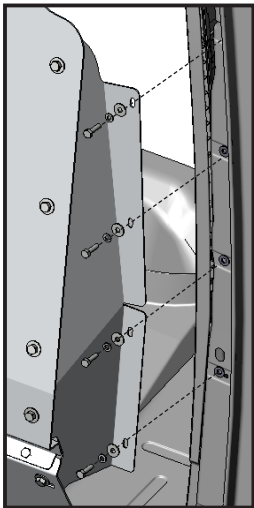
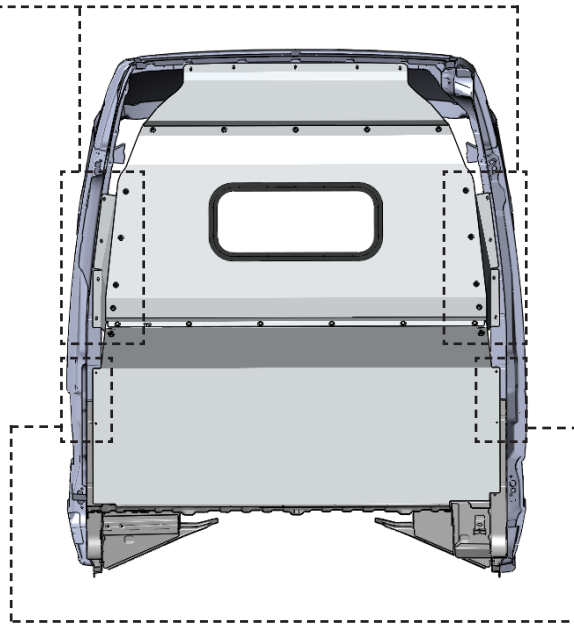
- Cordless Impact
- 7/16" Socket

### HARDWARE USED

5x



**2.3.2** Bolt both sides of the partition in the van.




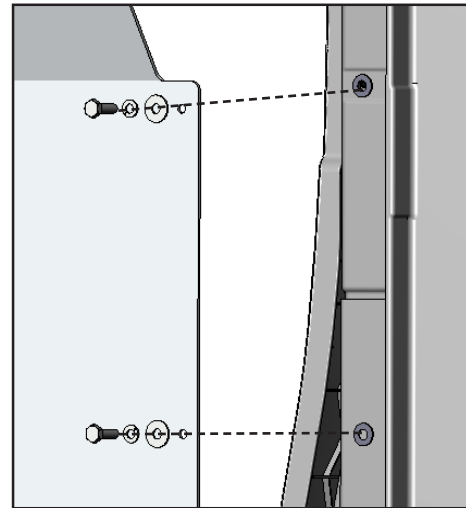
**TOOLS**

- Cordless Impact
- 7/16" Socket

**HARDWARE USED**

**8x**

-  #90-114 Hex Bolt 1/4" x 1"
-  #98-118 Lock Washer
-  #98-112 Flat Washer



**TOOLS**

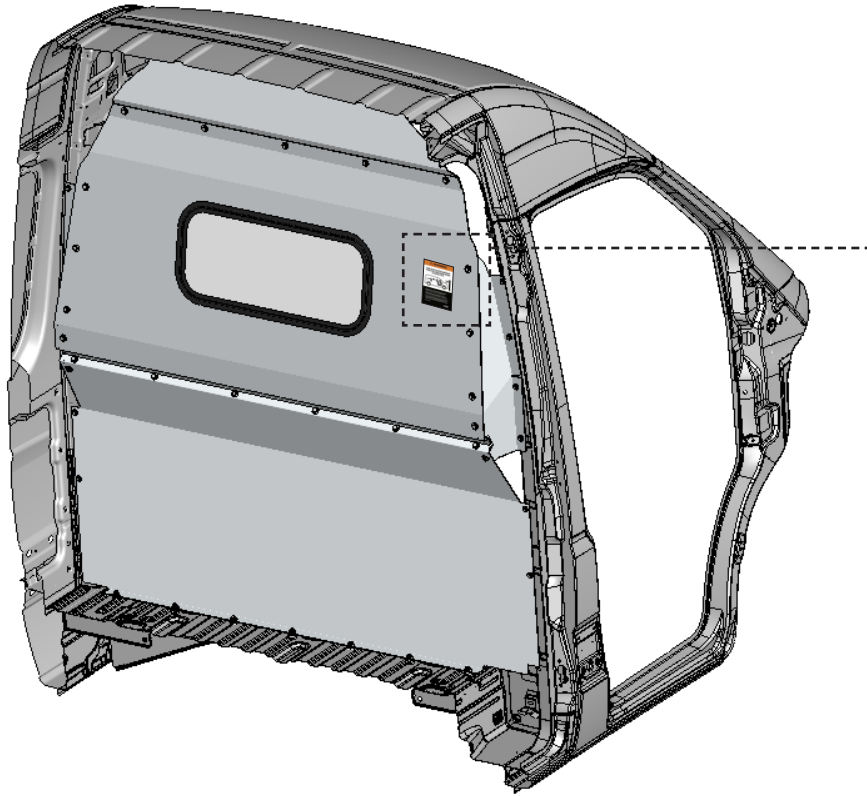
- Cordless Impact
- 7/16" Socket

**HARDWARE USED**

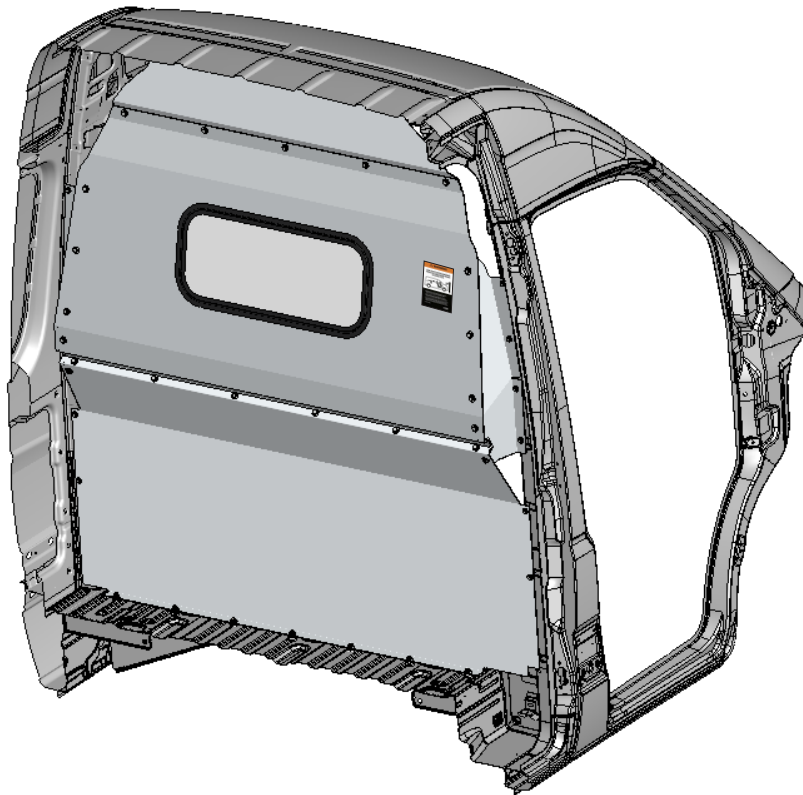
**4x**

-  #90-114 Hex Bolt 1/4" x 1"
-  #98-118 Lock Washer
-  #98-112 Flat Washer

2.3.3 Apply the warning label on the upper panel.



**NOTE:** Put the warning label in a place where it's easy to see.



**“Congratulations, you have successfully installed your  
Contoured Partition!”**

**Thank you for doing business with us.”**

