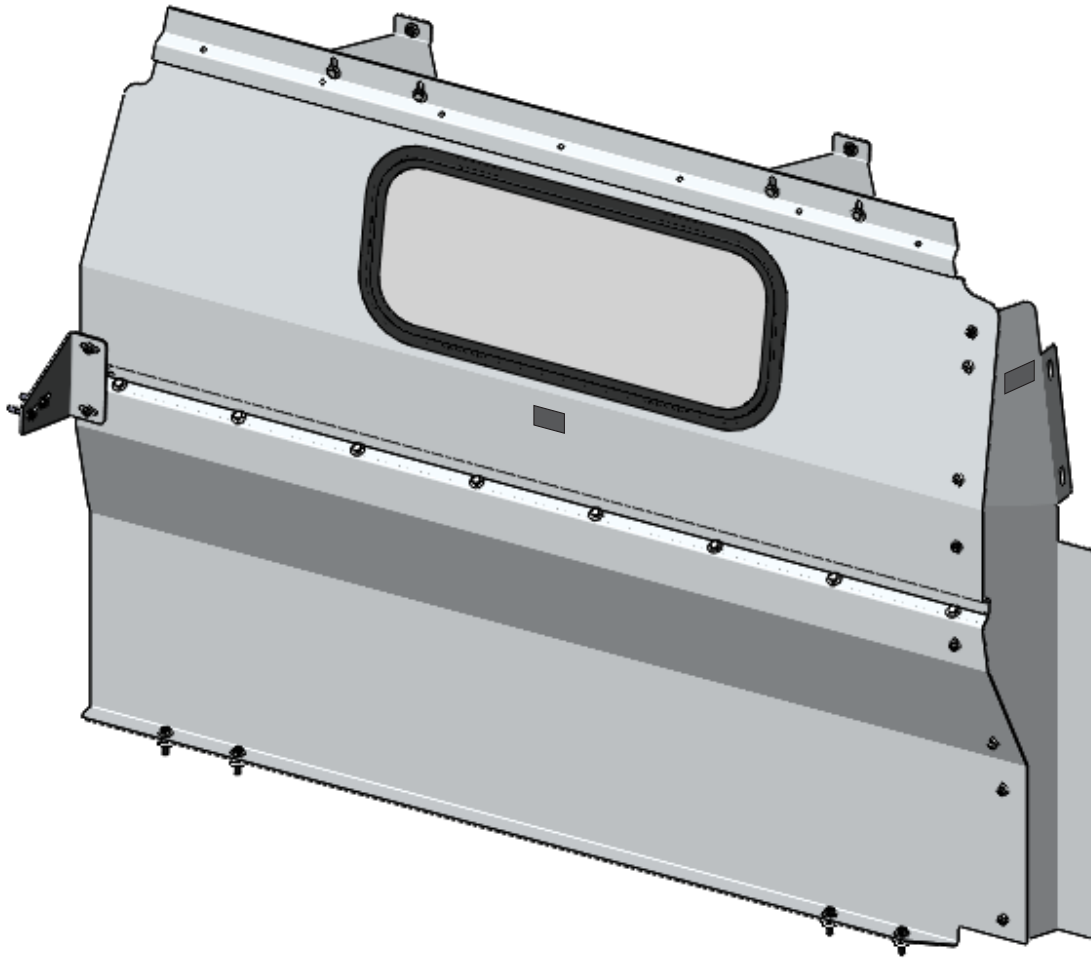


# INSTALLATION GUIDE



## 3020-NL CONTOURED PARTITION

Nissan NV ( Tempered Glass Window, Aluminum )

**RANGER**  
DESIGN

# QUICK START GUIDE

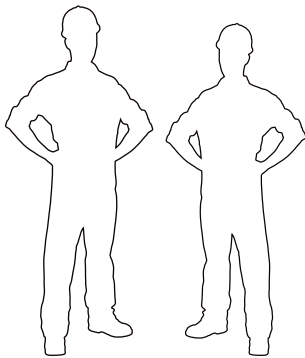
## Phase 1 - Assembly

<input type="checkbox"/> 1.1 Setup.....	3
<input type="checkbox"/> 1.1.1 Unpack components; compare with the bill of materials.....	3
<input type="checkbox"/> 1.1.2 Verify all parts are present.....	3
<input type="checkbox"/> 1.1.3 Identify the assembly and installation fastener bags.....	4
<input type="checkbox"/> 1.2 Partition assembly.....	5
<input type="checkbox"/> 1.2.1 Remove all the PVC from all the parts, then attach upper panel to the lower panel.....	5
<input type="checkbox"/> 1.2.2 Attach both wings to the upper and lower panels.....	6
<input type="checkbox"/> 1.2.3 Attach the edge trims along both sides of the upper and lower panels.....	7

## Phase 2 - Installation

<input type="checkbox"/> 2.1 Tips on how to attach a plusnut.....	8
<input type="checkbox"/> 2.1.1 Attach plusnut using plusnut gun.....	8
<input type="checkbox"/> 2.1.2 Attach plusnut using Ranger plusnut tool.....	8
<input type="checkbox"/> 2.2 Vehicle preparation.....	9
<input type="checkbox"/> 2.2.1 Remove the grab handle and the 2 D-rings in the van.....	9
<input type="checkbox"/> 2.3 Contoured partition installation.....	10
<input type="checkbox"/> 2.3.1 Attach the 2 ceiling brackets in the van.....	11
<input type="checkbox"/> 2.2.2 Lift the partition in the van, then attach plusnut.....	11
<input type="checkbox"/> 2.3.3 Attach the upper panel to the ceiling brackets.....	12
<input type="checkbox"/> 2.3.4 Bolt the lower panel in the van.....	13
<input type="checkbox"/> 2.3.5 Bolt both wings of the partition in the van.....	14
<input type="checkbox"/> 2.3.6 Apply the warning label on the passenger side panel and re-install grab handle on the upper panel of the partition.....	15

# REQUIRED ITEMS



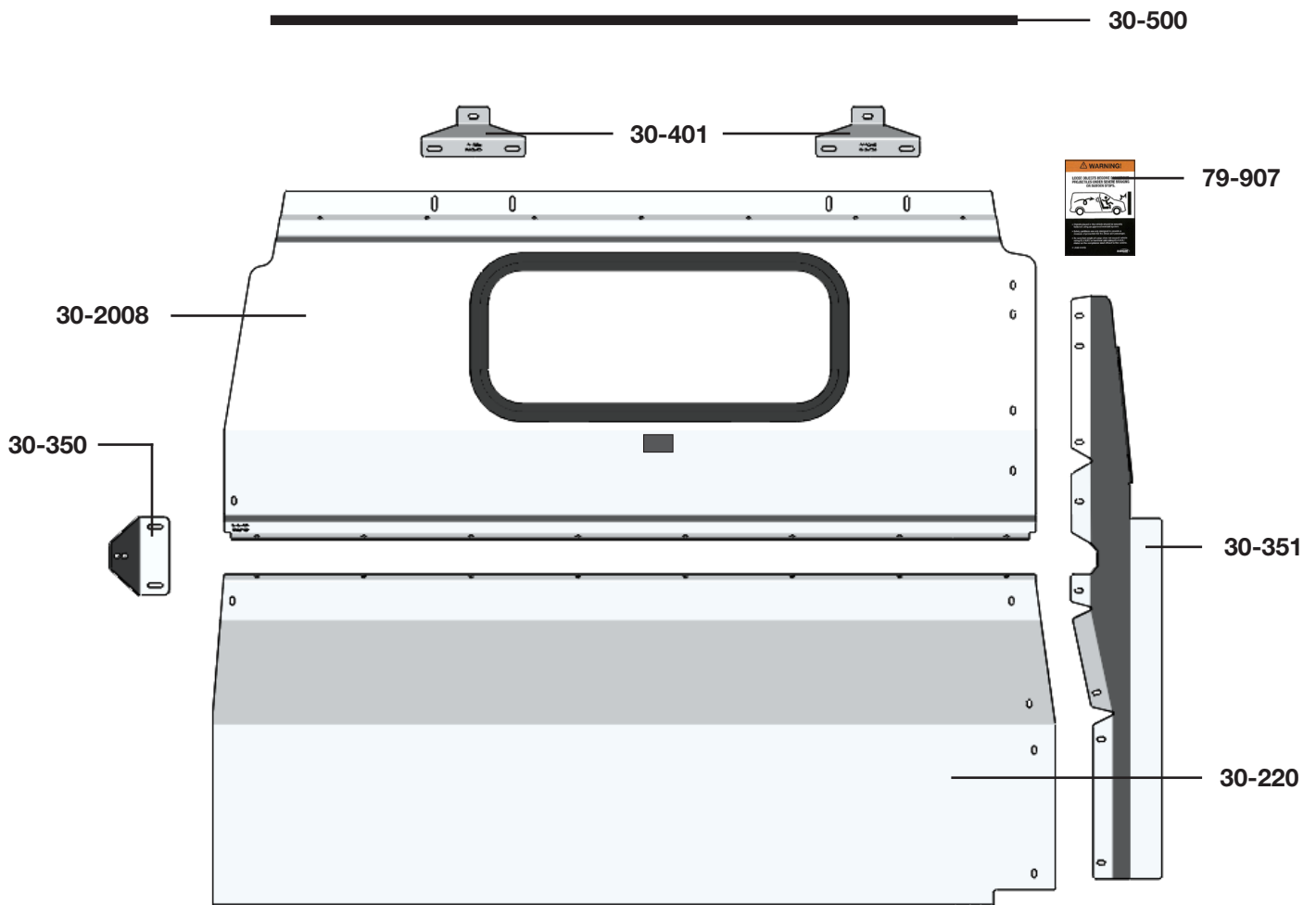
**2**  
**PERSONS**

- Cordless Impact
- Cordless Drill
- Cutter
- Mallet
- Marker
- Plusnut Tool
- Tape Measure
- 3/8" Drill Bit
- 7/16" Socket
- 1/2" Socket
- 9/16" Wrench
- 13mm Socket

# PHASE 1 – ASSEMBLY

## 1.1 SETUP

1.1.1 Unpack components; compare with the bill of materials.



1.1.2 Verify all parts are present.

Item No.	Description	Qty.
30-220	Lower Panel	1
30-350	Driver Side Wing	1
30-351	Passenger Side Wing	1
30-401	Ceiling Bracket	2
30-500	Edge Trim ( QTY in Inches )	174
79-907	Warning Label	1
30-2008	Upper Panel w/ Window	1
94-3022	Assembly Fastener Bag	1
96-3024	Installation Fastener Bag	1




1.1.3 Identify the **Assembly** and **Installation** fastener bags.

**Assembly Fastener Bag** →

- 22x  # 90-204 Hex Bolt  
5/16"-18 x 3/4"  
GR-5 ZINC
- 22x  # 94-116 Serrated Nut  
5/16"-18  
ZINC
- 22x  # 98-116 Flat Washer  
5/16", 7/8" OD  
ZINC

**Hardware Assembly**

22x

-  #90-204 Hex Bolt 5/16" x 3/4"
-  #98-116 Flat Washer
-  #94-116 Serrated Nut

**Installation Fastener Bag** →




- 2x  # 90-114 Hex Bolt  
1/4"-20 x 1"  
GR-5 ZINC
- 2x  # 90-666 Hex Bolt  
M8-1.25 x 20 CL 8.8 DIN  
933 BLACK OXIDE
- 4x  # 90-668 Hex Bolt  
M8-1.25 x 40 CL 8.8 DIN  
933 BLACK OXIDE
- 2x  # 94-130 Plusnut .250
- 2x  # 98-112 Flat Washer  
1/4", 3/4" OD  
ZINC
- 6x  # 98-116 Flat Washer  
5/16", 7/8" OD  
ZINC
- 2x  # 98-118 Lock Washer  
Regular 1/4"  
ZINC
- 6x  # 98-122 Lock Washer  
Regular 5/6"  
ZINC
- 8x  # 98-157 Spacer  
0.375" ID, x 1.0" OD x 0.25" L  
NYLON

**Hardware Assembly**

2x

-  #90-114 Hex Bolt 1/4" x 1"
-  #98-118 Lock Washer
-  #98-112 Flat Washer
-  #94-130 Plusnut .250

2x

-  #90-666 Hex Bolt M8 x 20
-  #98-122 Lock Washer
-  #98-116 Flat Washer

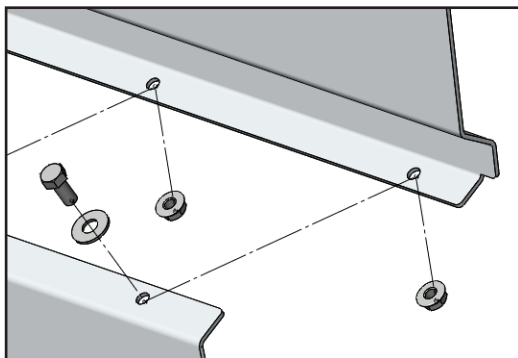
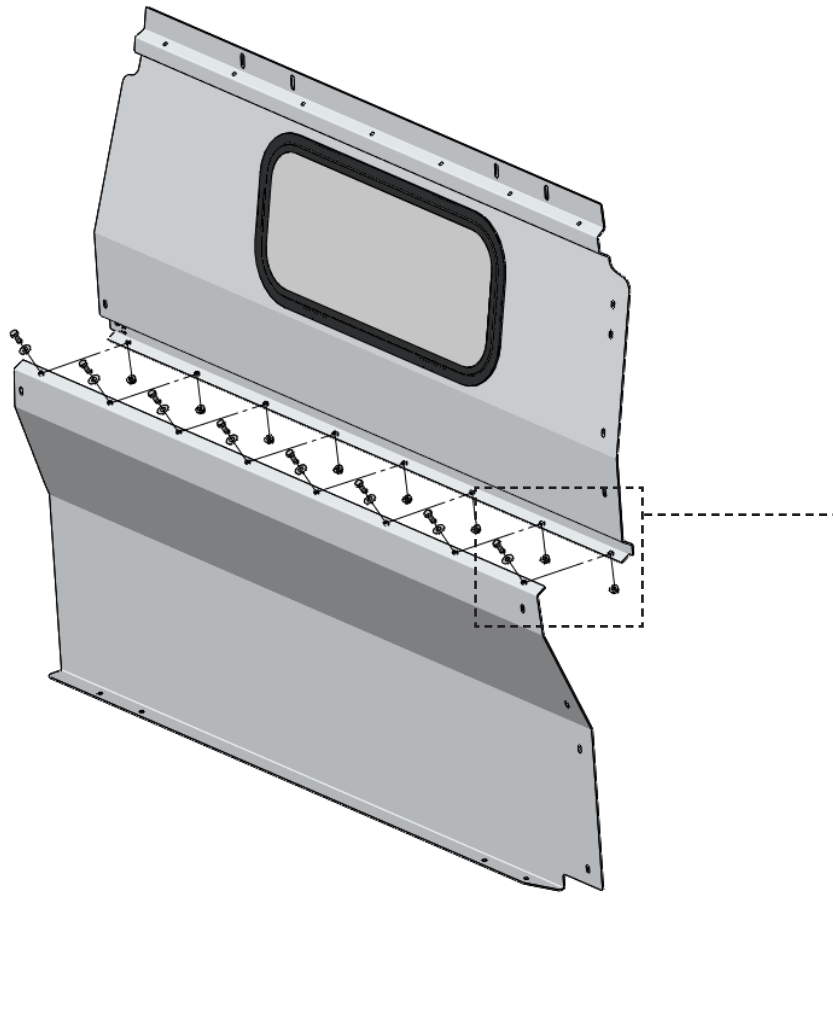
4x

-  #90-668 Hex Bolt M8 x 40
-  #98-122 Lock Washer
-  #98-116 Flat Washer
-  #98-157 Spacers ( 2 )

# PHASE 1 – ASSEMBLY

## 1.2 PARTITION ASSEMBLY

1.2.1 Remove all the PVC from all the parts, then attach upper panel to the lower panel.






### TOOLS

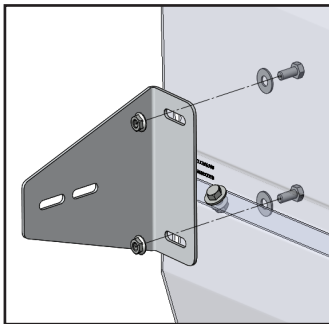
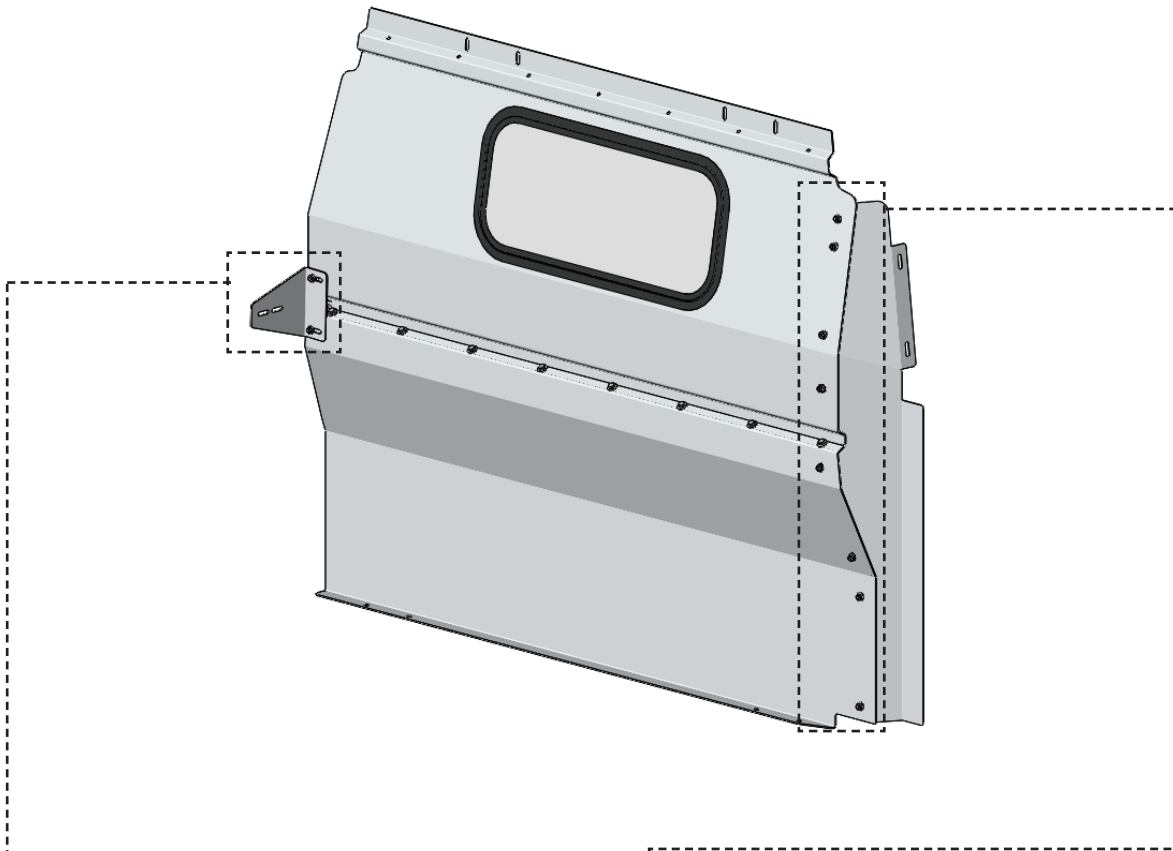
- Cordless Impact
- 1/2" Socket

### HARDWARE USED

8x

- |   |                               |
|---|-------------------------------|
|  | #90-204 Hex Bolt 5/16" x 3/4" |
|  | #98-116 Flat Washer           |
|  | #94-116 Serrated Nut          |

**1.2.2** Attach both wings to the upper and lower panels.






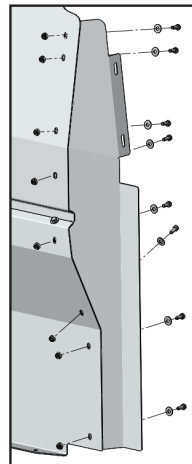
**TOOLS**

- Cordless Impact
- 1/2" Socket

**HARDWARE USED**

**2x**

-  #90-204 Hex Bolt 5/16" x 3/4"
-  #98-116 Flat Washer
-  #94-116 Serrated Nut





**TOOLS**

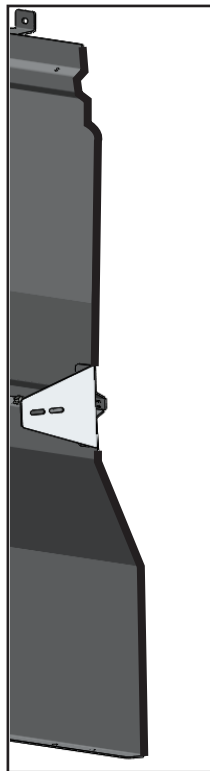
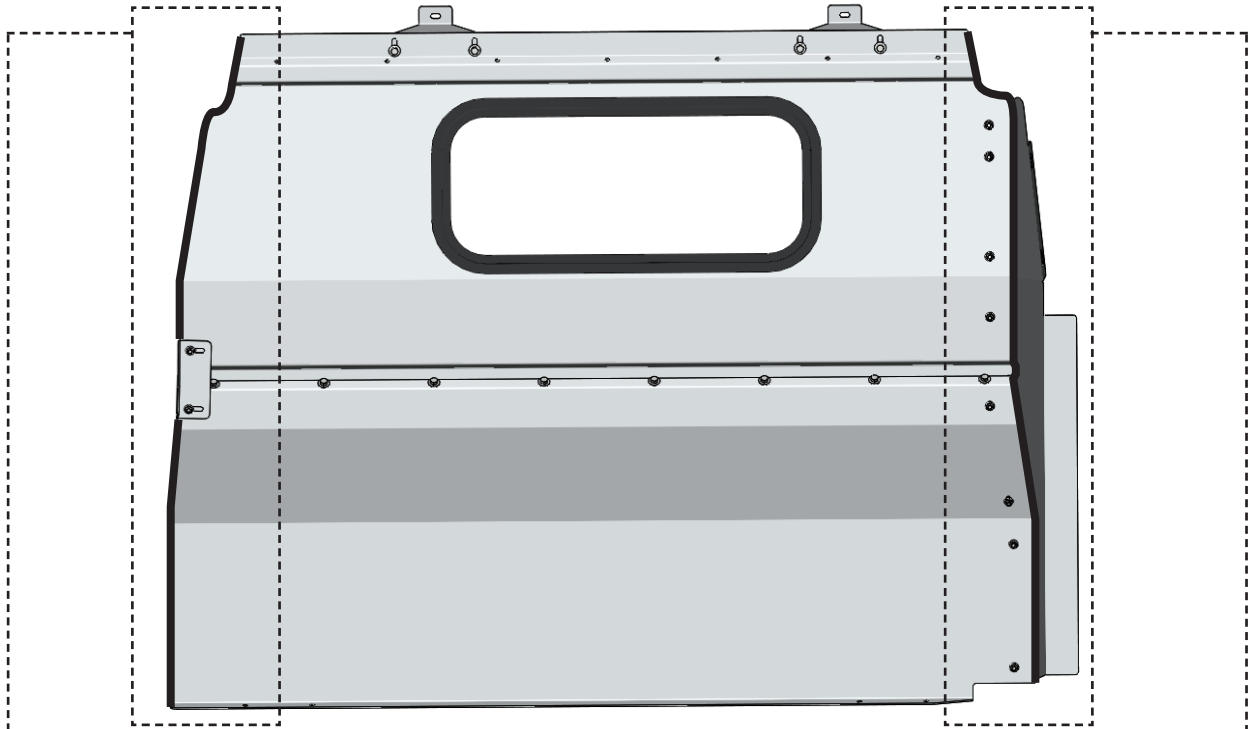
- Cordless Impact
- 1/2" Socket

**HARDWARE USED**

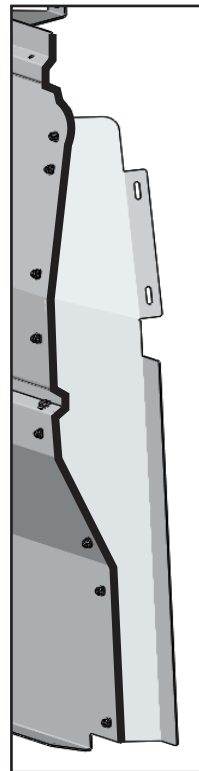
**8x**

-  #90-204 Hex Bolt 5/16" x 3/4"
-  #98-116 Flat Washer
-  #94-116 Serrated Nut

1.2.4 Attach the edge trims along both sides of the upper and lower panels.



**TOOLS**  
 Mallet  
 Cutter



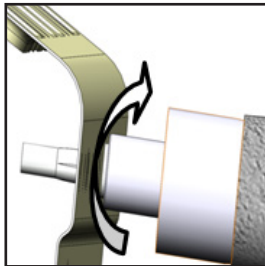
**TOOLS**  
 Mallet  
 Cutter

# PHASE 2 – INSTALLATION

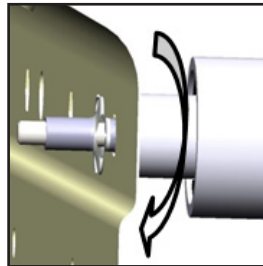
## 2.1 TIPS ON HOW TO ATTACH A PLUSNUT

2.1.1 Attach the plusnut using the plusnut gun.

**TIPS:** Put the plusnut on the plusnut gun, then attach the plusnut in the hole by turning the gun forward until the plusnut locks, then remove the gun by turning in reverse.



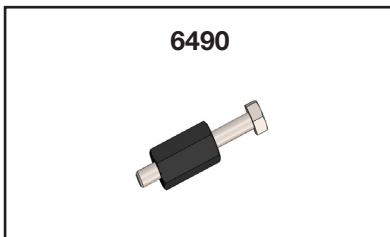
**FORWARD**



**REVERSE**



2.1.2 Attach the plusnut using the 6490 plusnut tool.

**NOTE:** The hardware used for the 6490 plusnut tool is not included in the fastener bag. The 6490 plusnut tool can be ordered separately upon demand at no charge.



**6490**

### HARDWARE USED

-  Flat washer 1/4"
-  Flat washer 1/4" BS x 3/4" OD

### TOOLS

- Cordless Impact
- 7/16" Socket
- 9/16" Wrench

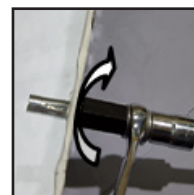
### TIPS STEP 1:

Assemble the 6490 plusnut tool with the hardware needed, plusnut and the 9/16" wrench as shown.



### TIPS STEP 2:

Attach the plusnut in the hole by turning the bolt forward using an impact with a 7/16" socket until the plusnut locks, then remove the bolt by turning the impact in reverse.



**FORWARD**



**REVERSE**

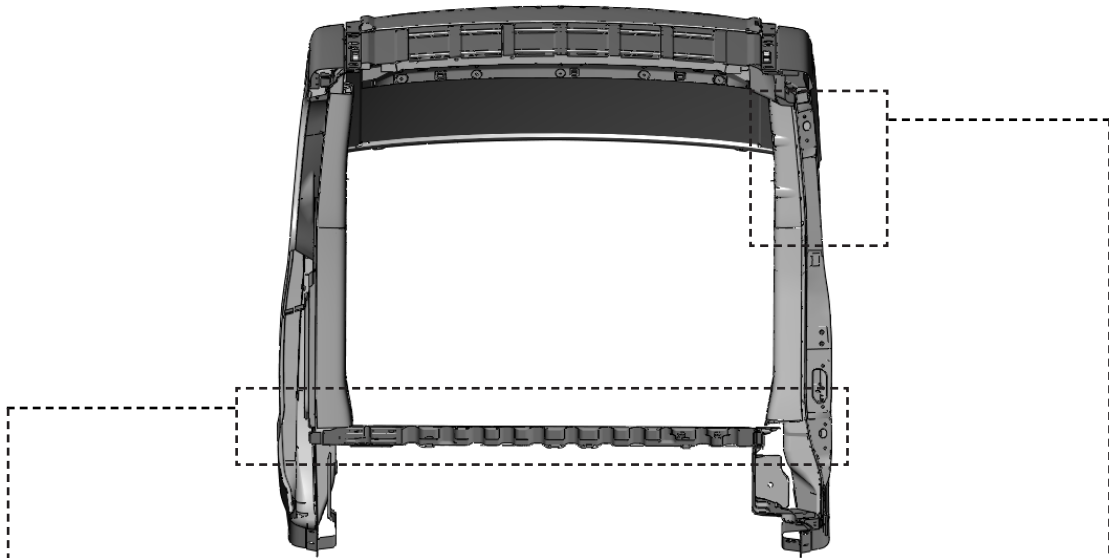


# PHASE 2 – INSTALLATION

## 2.2 VEHICLE PREPARATION

2.2.1 Remove the grab handle and the 2 D-rings in the van.

**NOTE:** Keep the handle and its hardware for re-use.



### TOOLS

- Cordless Impact
- 13mm Socket



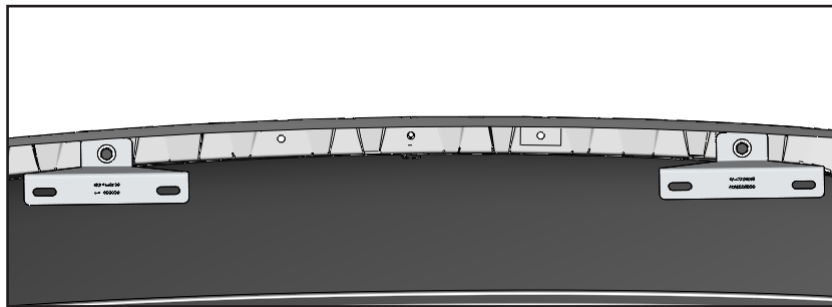
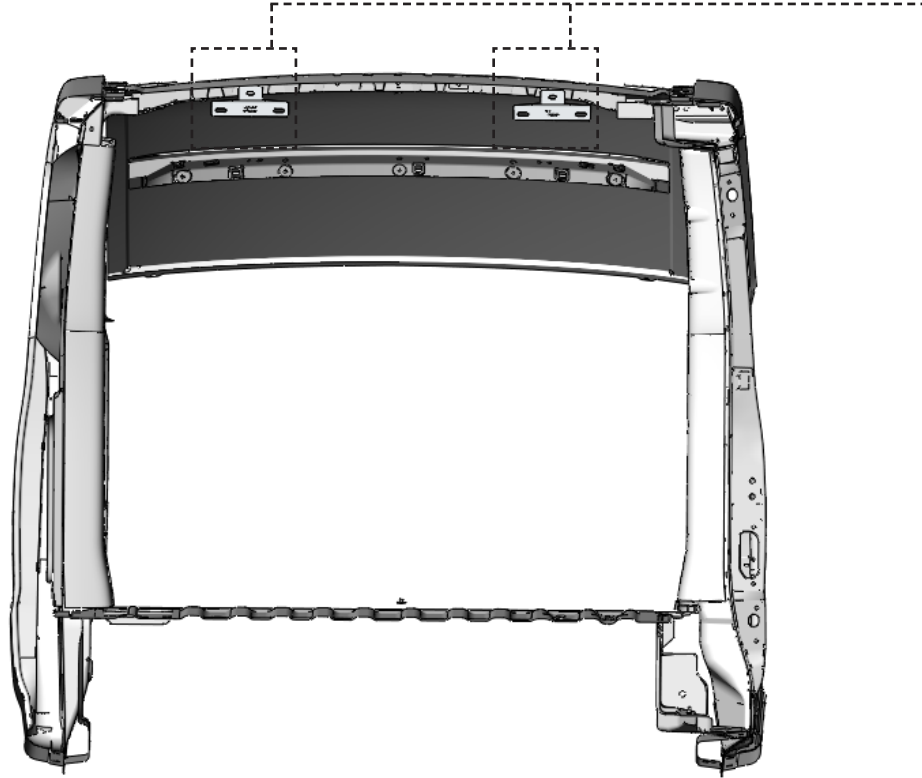
### TOOLS

- Cordless Impact
- 13mm Socket

# PHASE 2 – INSTALLATION

## 2.3 CONTOURED PARTITION INSTALLATION

2.3.1 Attach the 2 ceiling brackets in the van.



### TOOLS

- Cordless Impact
- 13mm Socket

### HARDWARE USED

2x



#90-666 Hex Bolt M8 x 20

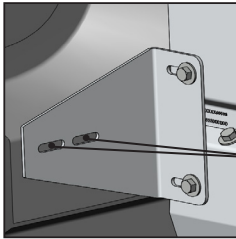
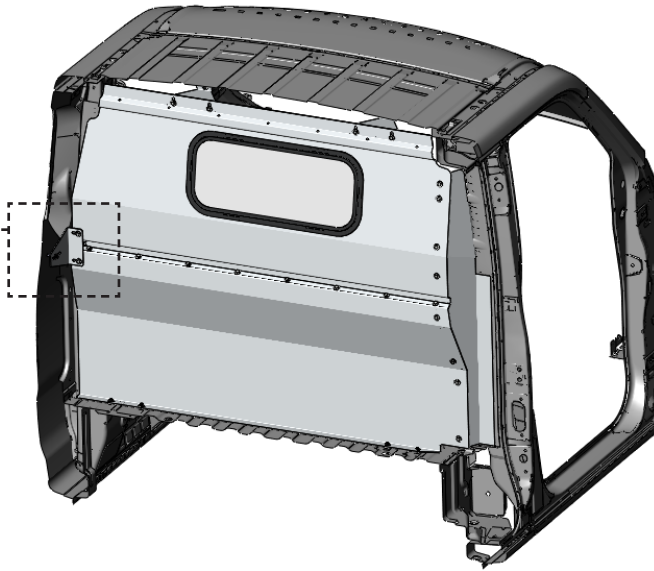


#98-122 Lock Washer



#98-116 Flat Washer

**2.3.2** Lift the partition in the van, then attach plusnut.



Put the assembled partition in place, then put a mark on the van through the 2 holes of the driver side panel.

**MARKS**

**TOOLS**

- Marker



Drill the 2 marks using 3/8" drill bit or step drill.

**TOOLS**

- Cordless Drill
- 3/8" Drill Bit or Step Drill



Attach a plusnuts in the 2 holes.

**TOOLS**

- Plusnut Tool

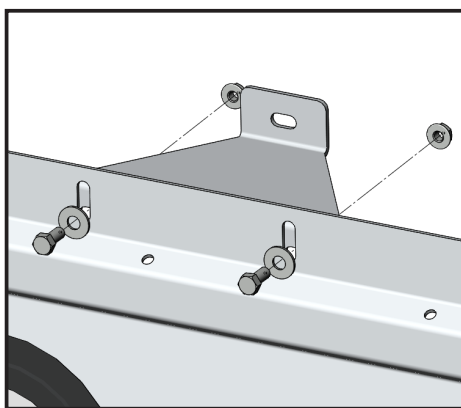
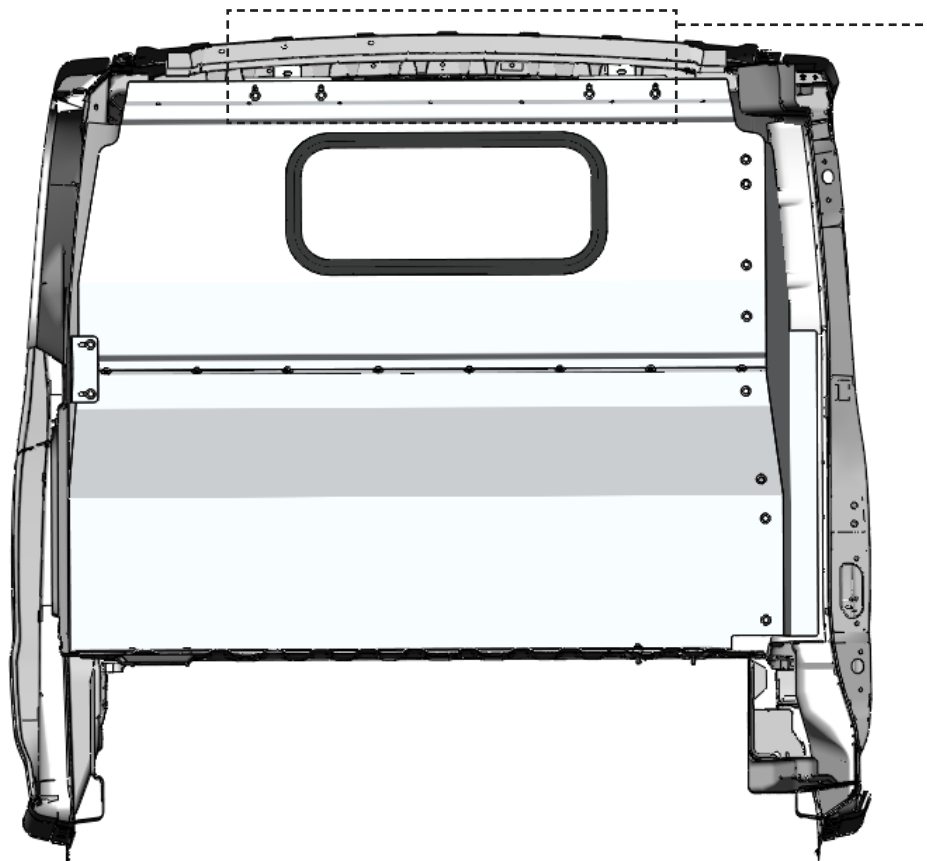
**HARDWARE USED**

**2x**



# 94-130  
Plusnut .250

2.3.3 Attach the upper panel to the ceiling bracket.






**TOOLS**

- Cordless Impact
- 1/2" Socket

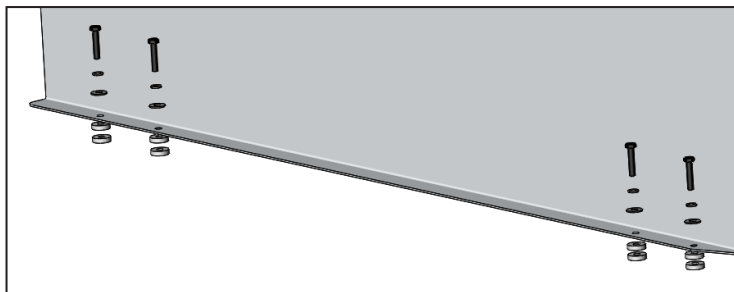
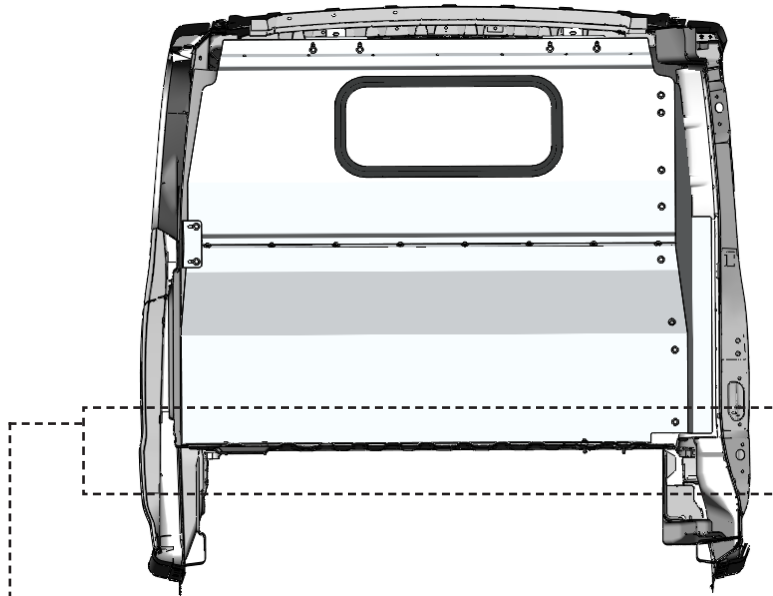
**HARDWARE USED**

**4x**

- |   |                               |
|---|-------------------------------|
|  | #90-204 Hex Bolt 5/16" x 3/4" |
|  | #98-116 Flat Washer           |
|  | #94-116 Serrated Nut          |

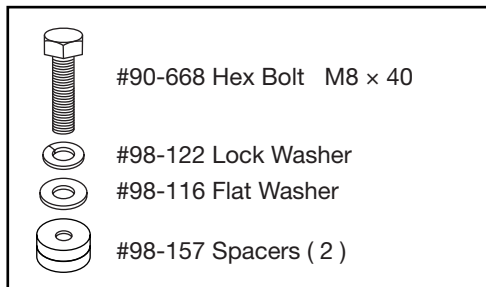
2.3.4 Bolt the lower panel in the van.

**NOTE:** Use spacers to make the floor level.



**HARDWARE USED**

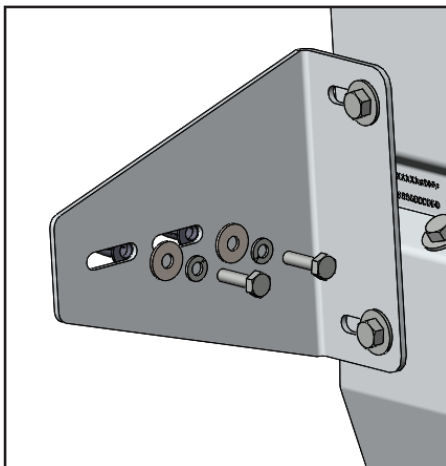
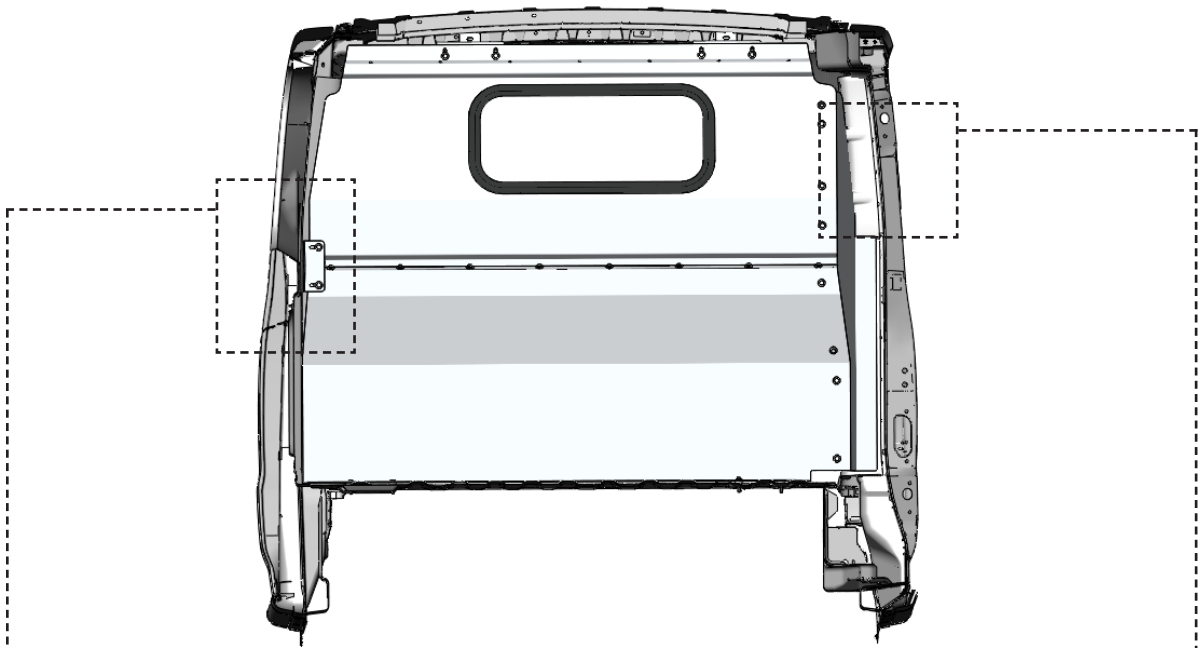
**4x**



**TOOLS**

- Cordless Impact
- 13mm Socket

### 2.3.5 Bolt both wings of the partition in the van.




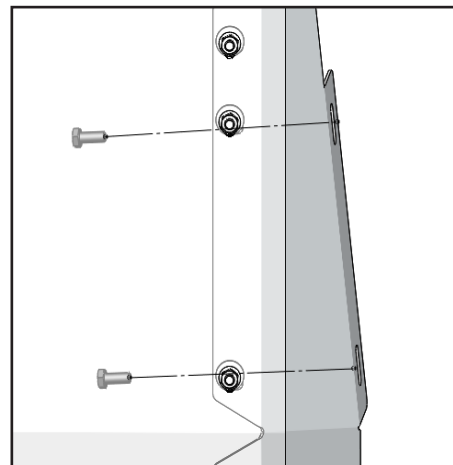
#### TOOLS

- Cordless Impact
- 7/16" Socket

#### HARDWARE USED

**2x**

-  #90-114 Hex Bolt 1/4" x 1"
-  #98-118 Lock Washer
-  #98-112 Flat Washer



#### TOOLS

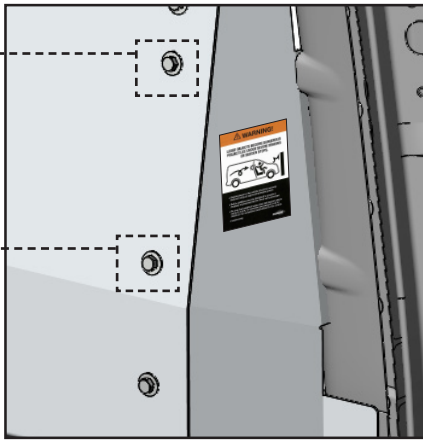
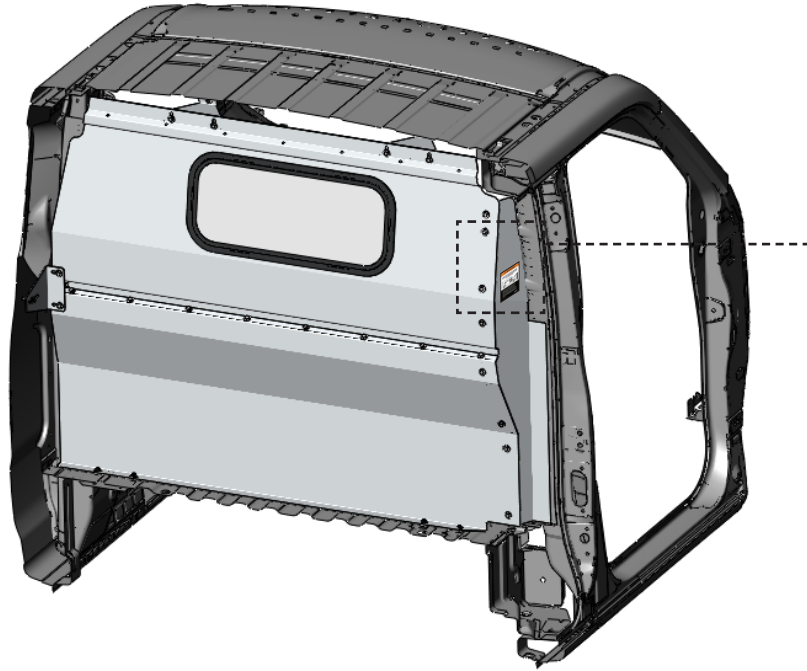
- Cordless Impact
- 13mm Socket

#### HARDWARE USED

**2x**

Use the hardware from the grab handle.

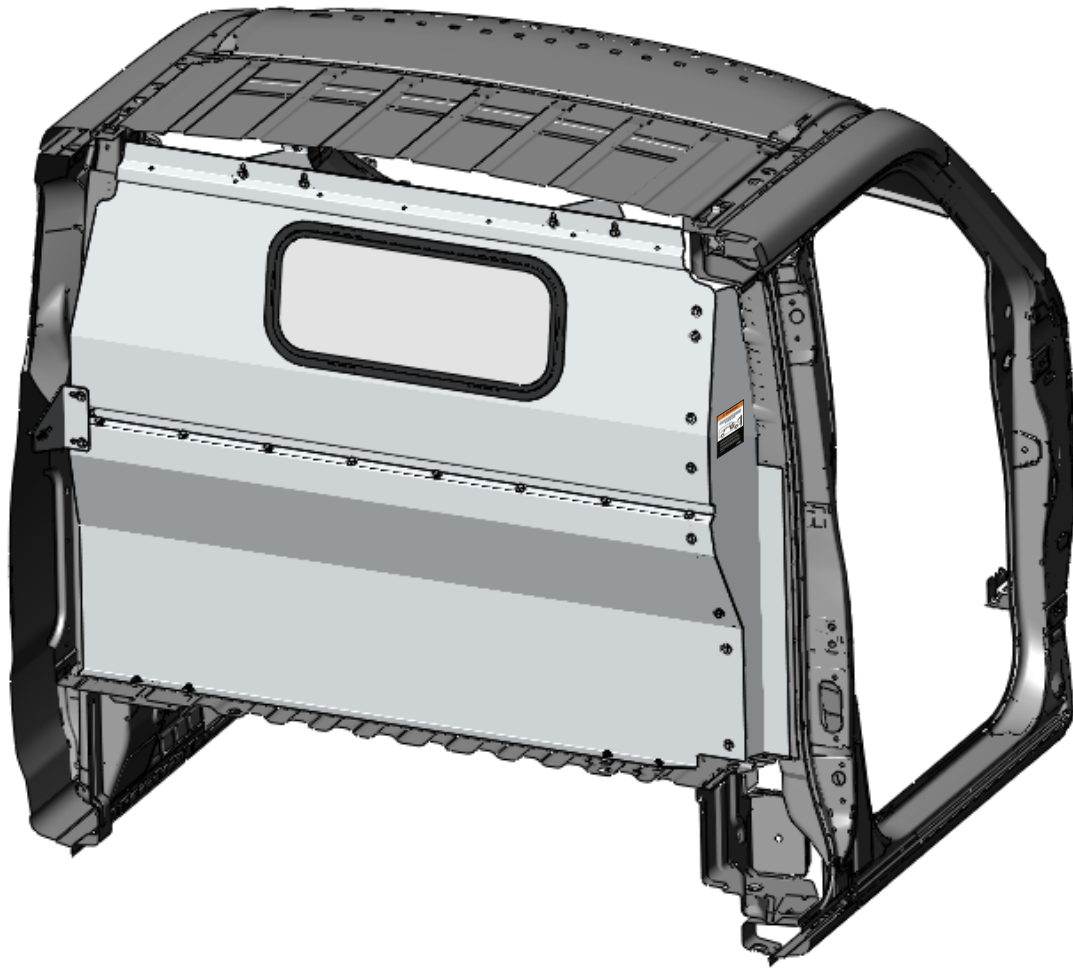
**2.3.6** Apply the warning label on the passenger side panel and re-install the grab handle on the upper panel of the partition.



**NOTE:** Put the warning label in a place where it's easy to see.



**NOTE:** You can use these 2 bolts for the grab handle.



**“Congratulations, you have successfully installed your  
Contoured Partition!”**

**Thank you for doing business with us.”**

