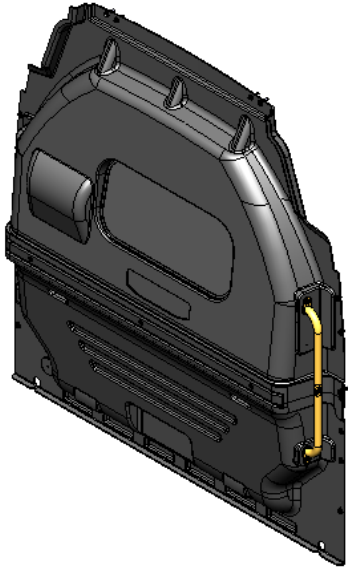
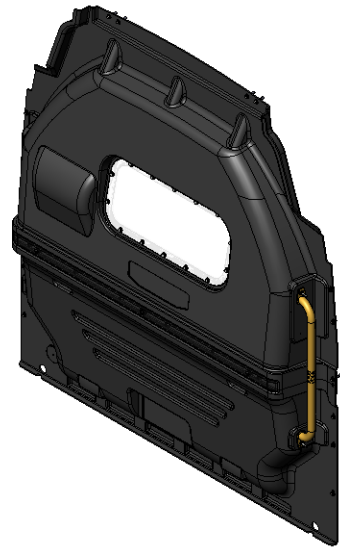


# INSTALLATION GUIDE



**3310-FTH**



**3320-FTH**

**Composite Partition**  
Ford Transit High Roof

# QUICK START GUIDE

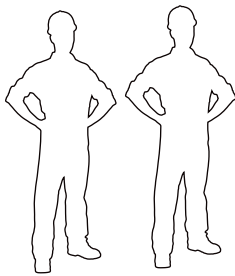
## Phase 1 - Assembly

<input type="checkbox"/> 1.1 Setup.....	3 - 4
<input type="checkbox"/> 1.2 Partition Assembly.....	5

## Phase 2 - Install

<input type="checkbox"/> 2.1 Vehicle Preparation.....	6 - 7
<input type="checkbox"/> 2.2 Partition Installation.....	8
<input type="checkbox"/> 2.3 Handle Installation.....	9

# REQUIRED ITEMS



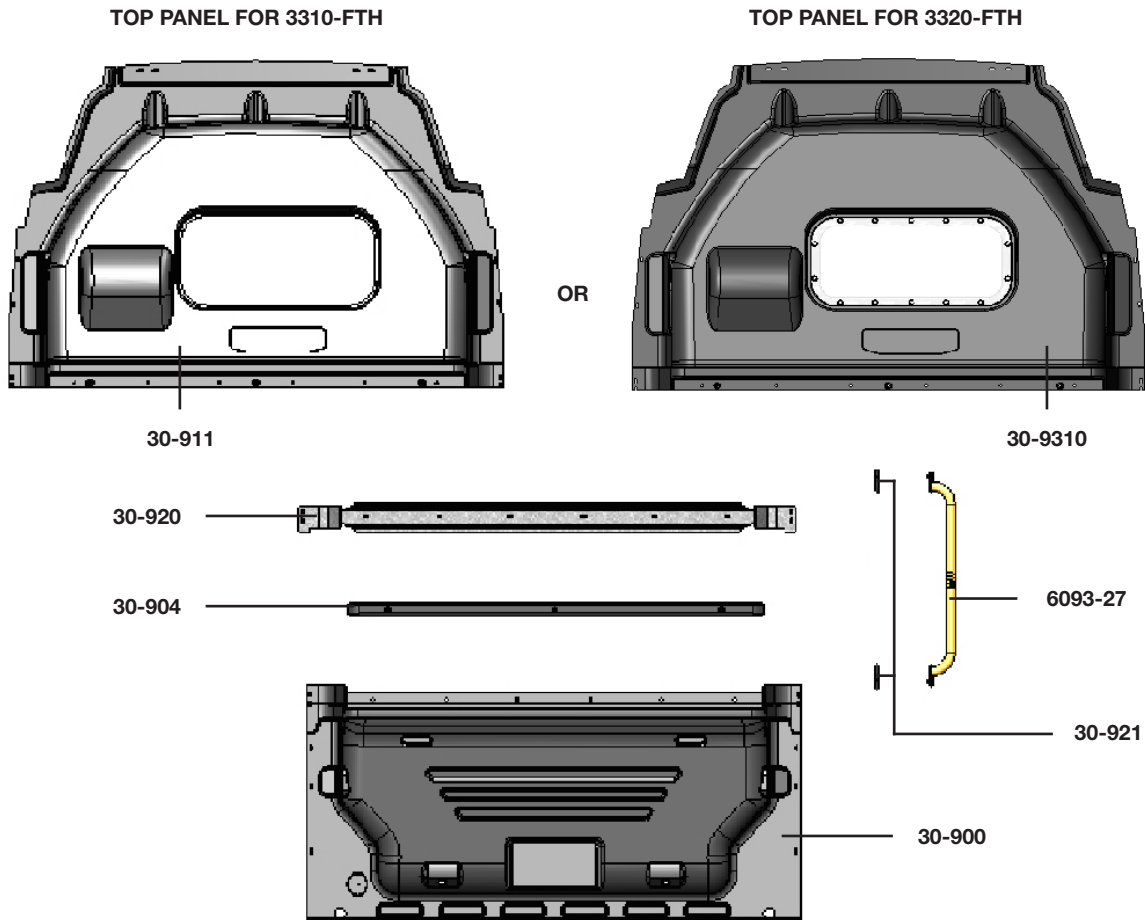
**2**  
**PERSONS**

- Cordless Impact
- Cordless Drill
- Marker
- Plusnut Tool
- Tape Measure
- 3/8" Drill Bit
- 7/16" Socket
- 1/2" Socket
- 9/16" Wrench
- 10mm Socket

# PHASE 1 – ASSEMBLY

## 1.1 SETUP

1.1.1 Unpack components; compare with the bill of materials.

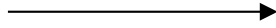


1.1.2 Verify all parts are present.

Item No.	Description	Qty.
30-900	Bottom Panel	1
30-904	Bolt Cap	1
30-911 OR 30-9310	Top Panel	1
30-920	Support	1
30-921	Handle Plate	2
6093-27	Large Grab Handle	1
94-5017	Assembly Fastener Kit	1
96-3040	Install Fastener Kit	1

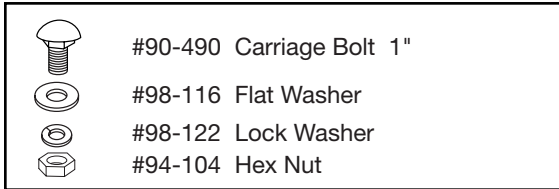
1.1.3 Identify the **Assembly** and **Installation** fastener bags.

94-5017

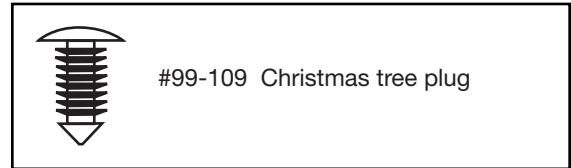


Hardware Assembly

x6



x3



96-3040

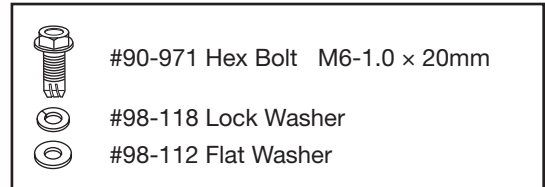


Hardware Assembly

x11



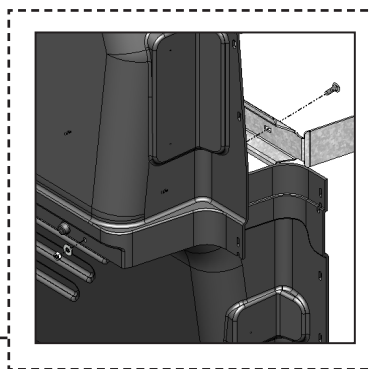
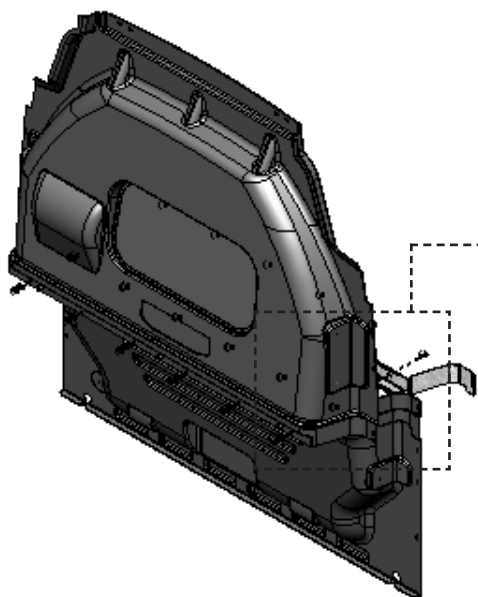
x5



# PHASE 1 – ASSEMBLY

## 1.2 PARTITION ASSEMBLY

1.2.1 Attach the top and bottom panel with support bracket.







### TOOLS

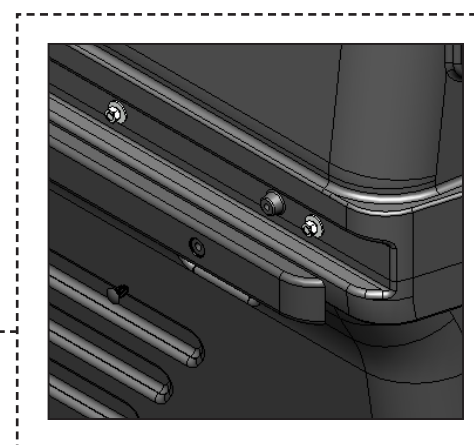
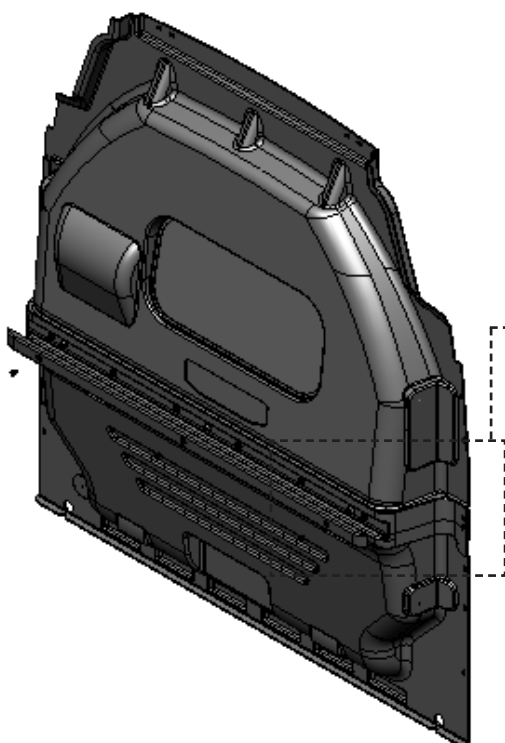
- Cordless Impact
- 1/2" Socket

### HARDWARE USED

6x


	#90-490 Carriage Bolt 1"
	#98-116 Flat Washer
	#98-122 Lock Washer
	#94-104 Hex Nut

1.2.2 Plug the Bolt cap to the partition using Christmas tree plug.



### HARDWARE USED

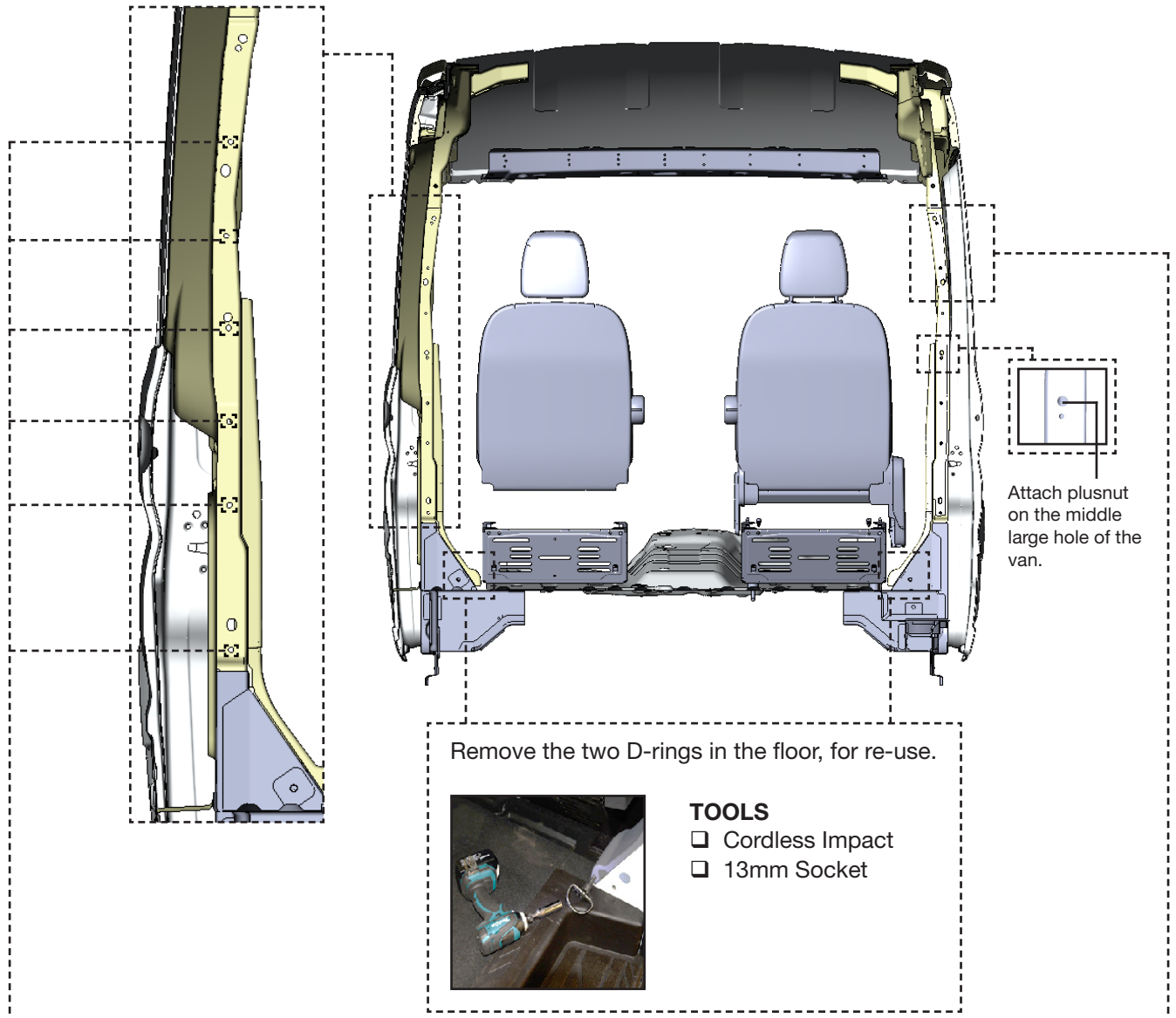
3x

	#99-109 Christmas tree plug
---	-----------------------------

# PHASE 2 – INSTALL

## 2.1 VEHICLE PREPARATION

### 2.1.1 Driver and passenger sides preparation.



- TOOLS**
- Cordless Impact
  - 13mm Socket



Attach plusnuts on the five factory holes.



- TOOLS**
- Plusnut Tool

**HARDWARE USED**  
**6x**



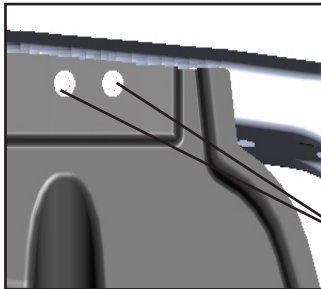
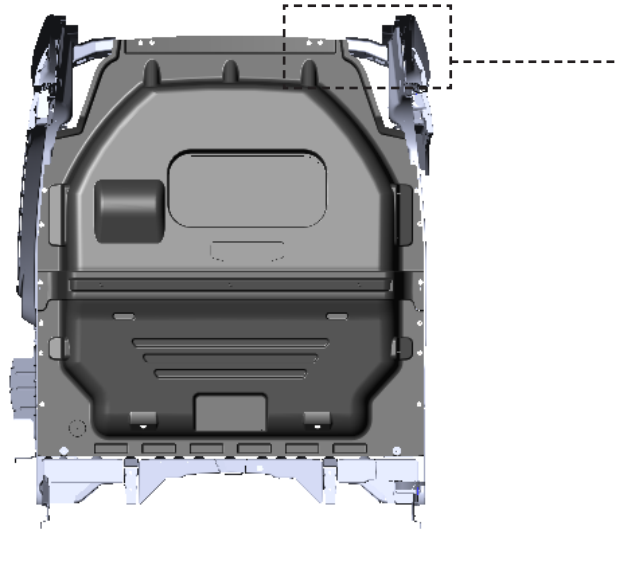
# 94-130  
Plusnut .250

Remove the factory handle in the van.



- TOOLS**
- Cordless Impact
  - 10mm Socket

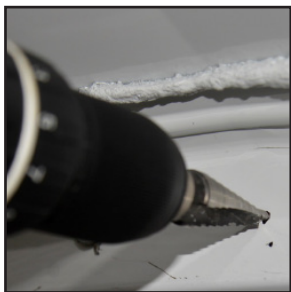
## 2.1.2 Ceiling preparation.



Lift the assembled partition inside the van and put it in place, then put 4 marks on the van through the holes of the top panel.

### TOOLS

- ☐ Marker



Put the assembled partition on the side, then drill the 4 marks using the 3/8" drill bit or step drill.

### TOOLS

- ☐ Cordless Drill
- ☐ 3/8" Drill Bit or Step Drill



Attach plusnuts in the 4 holes.

### TOOLS

- ☐ Plusnut Tool

### HARDWARE USED

**4x**

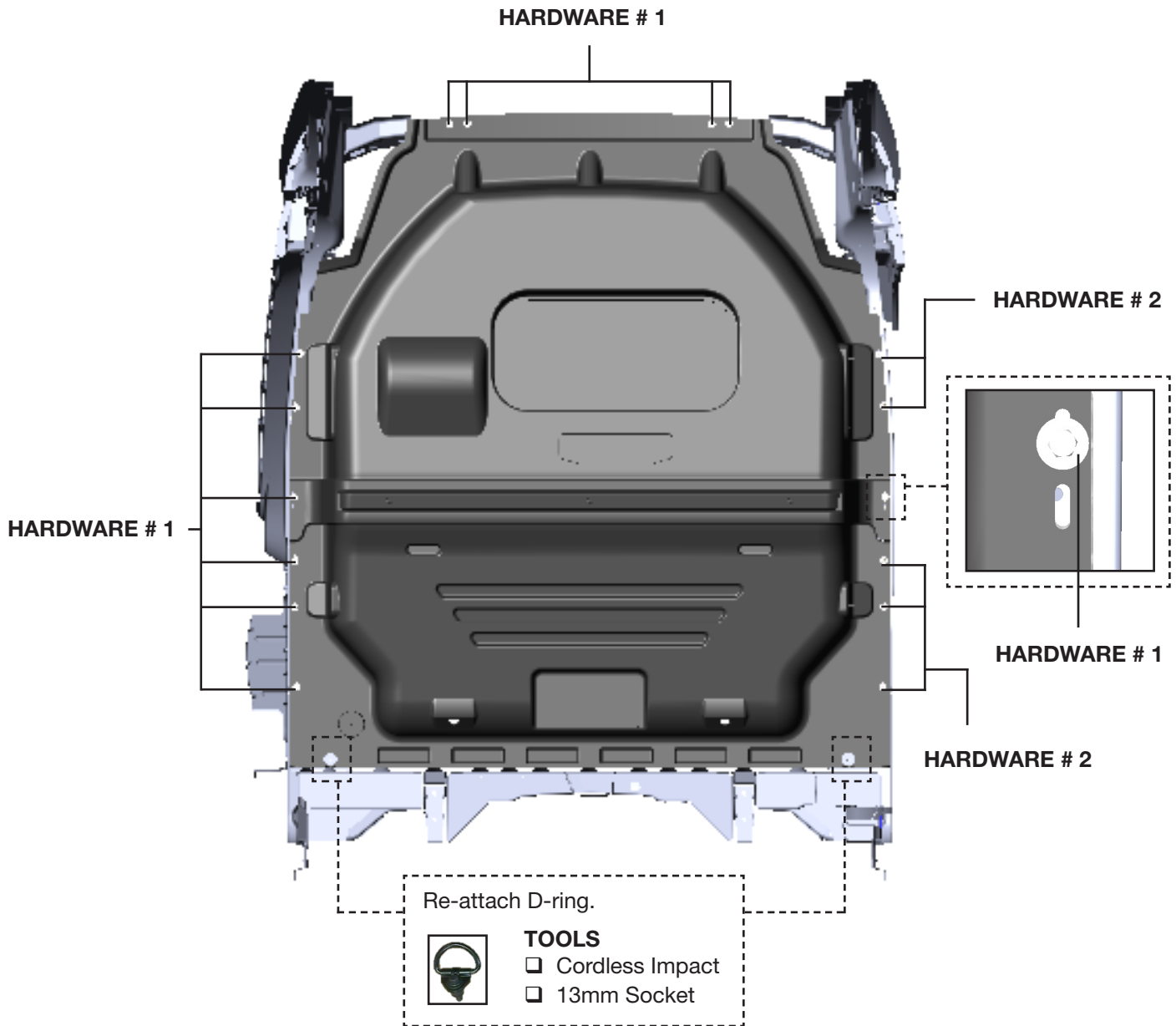


# 94-130  
Plusnut .250

# PHASE 2 – INSTALLATION

## 2.2 PARTITION INSTALLATION

2.2.1 Lift and place the partition back on the van, then attach the partition to the van.



### HARDWARE # 1

**TOOLS**

- Cordless Impact
- 7/16" Socket

**HARDWARE USED**

**11x**

-  #90-118 Hex Bolt 1/4" x 1-1/4"
-  #98-118 Lock Washer
-  #98-112 Flat Washer




### HARDWARE # 2

**TOOLS**

- Cordless Drill
- 10mm Socket

**HARDWARE USED**

**5x**

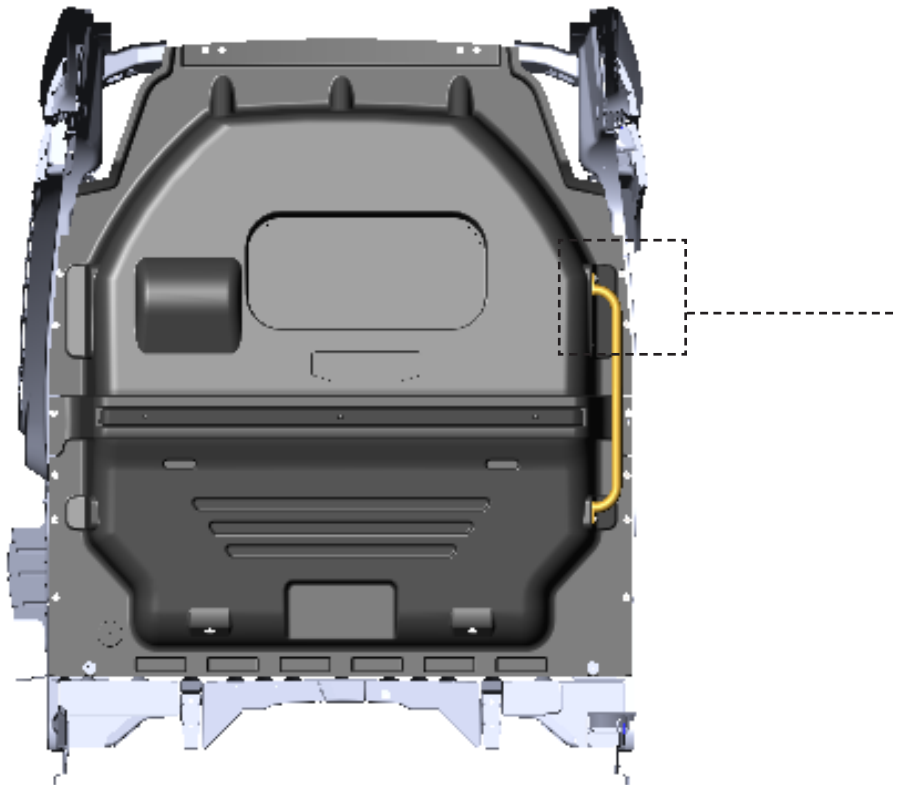
-  #90-971 Hex Bolt M6-1.0 x 20mm
-  #98-118 Lock Washer
-  #98-112 Flat Washer



# PHASE 2 – INSTALLATION

## 2.3 HANDLE INSTALLATION

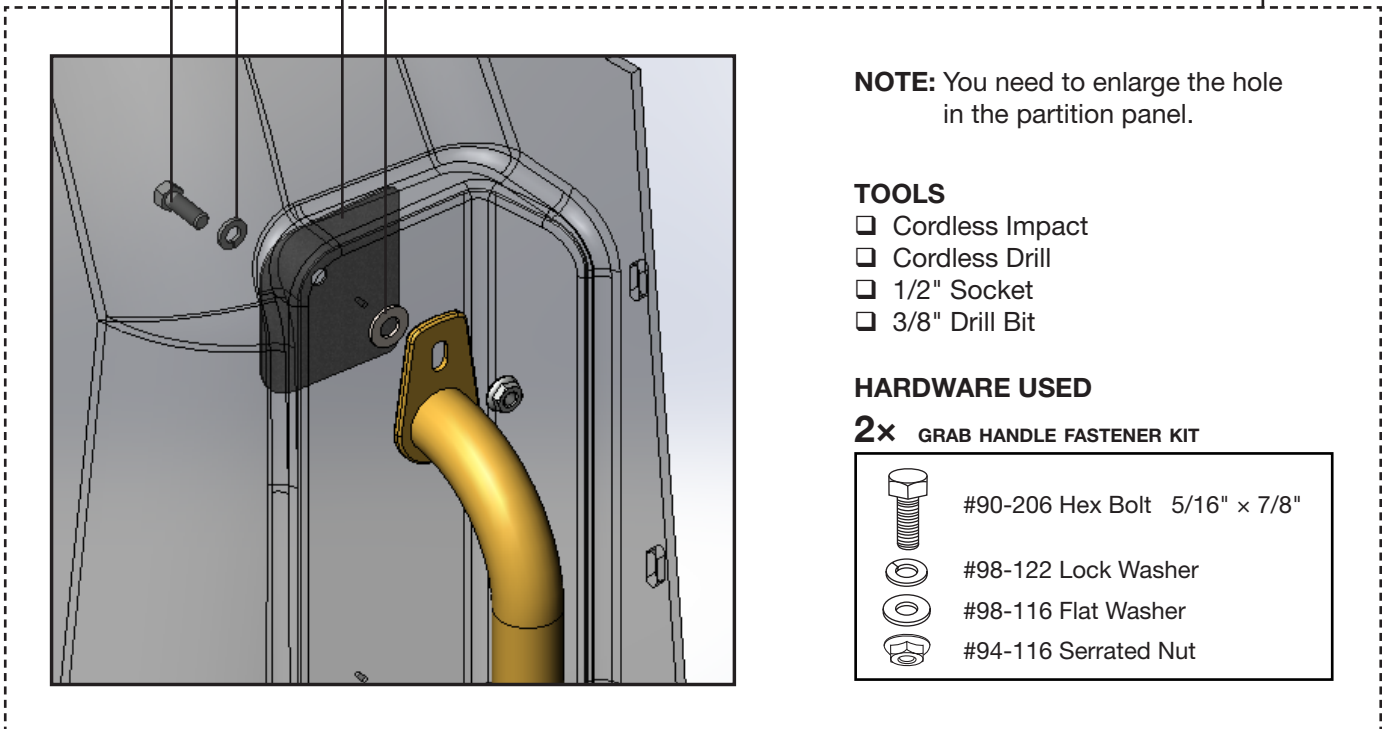
2.3.1 Attach the handle on the passenger side of the van.



INSIDE



FLAT WASHER



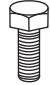



**NOTE:** You need to enlarge the hole in the partition panel.

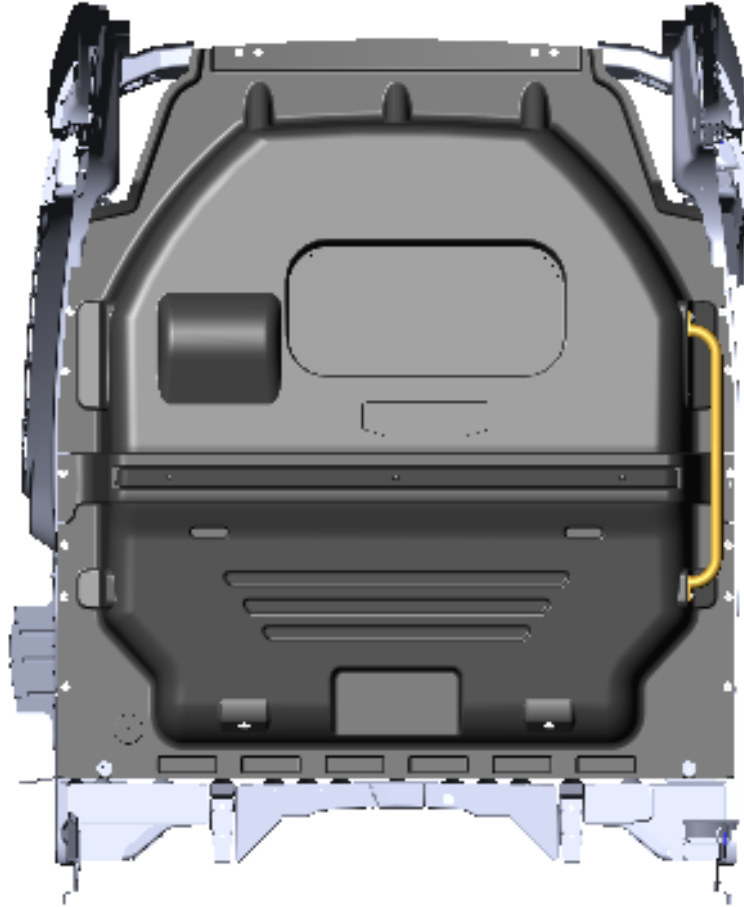
### TOOLS

- Cordless Impact
- Cordless Drill
- 1/2" Socket
- 3/8" Drill Bit

### HARDWARE USED

**2x** GRAB HANDLE FASTENER KIT

- |  |                               |
|--|-------------------------------|
|  | #90-206 Hex Bolt 5/16" x 7/8" |
|  | #98-122 Lock Washer           |
|  | #98-116 Flat Washer           |
|  | #94-116 Serrated Nut          |



**“You have successfully installed your  
Partition**

**Thank you for doing business with us.”**

For any feedback or suggestions you may have, please contact: [cs@rangerdesign.com](mailto:cs@rangerdesign.com)

