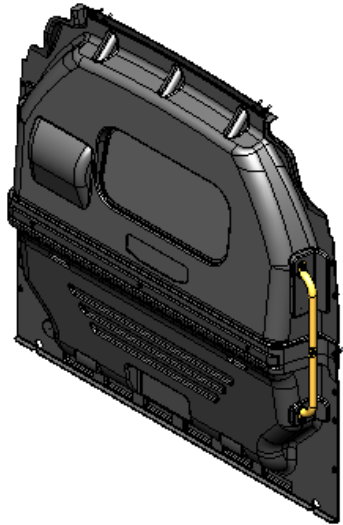
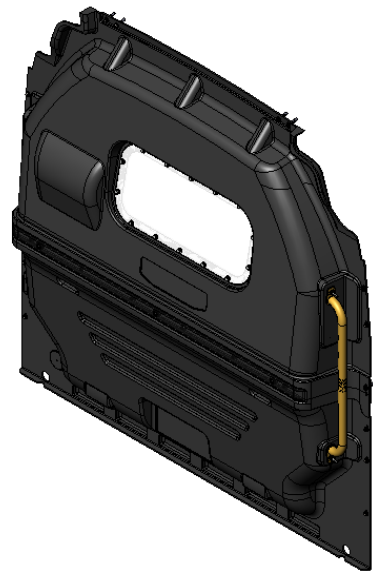


# INSTALLATION GUIDE



**3310-FTM**



**3320-FTM**

**Composite Partition**  
Ford Transit Medium Roof

# QUICK START GUIDE

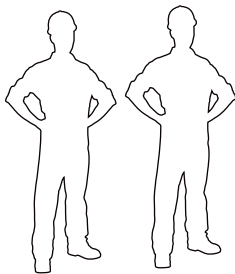
## Phase 1 - Assembly

<input type="checkbox"/> 1.1 Setup.....	3 - 4
<input type="checkbox"/> 1.2 Partition Assembly.....	5

## Phase 2 - Install

<input type="checkbox"/> 2.1 Vehicle Preparation.....	6 - 7
<input type="checkbox"/> 2.2 Partition Installation.....	8
<input type="checkbox"/> 2.3 Handle Installation.....	9

# REQUIRED ITEMS



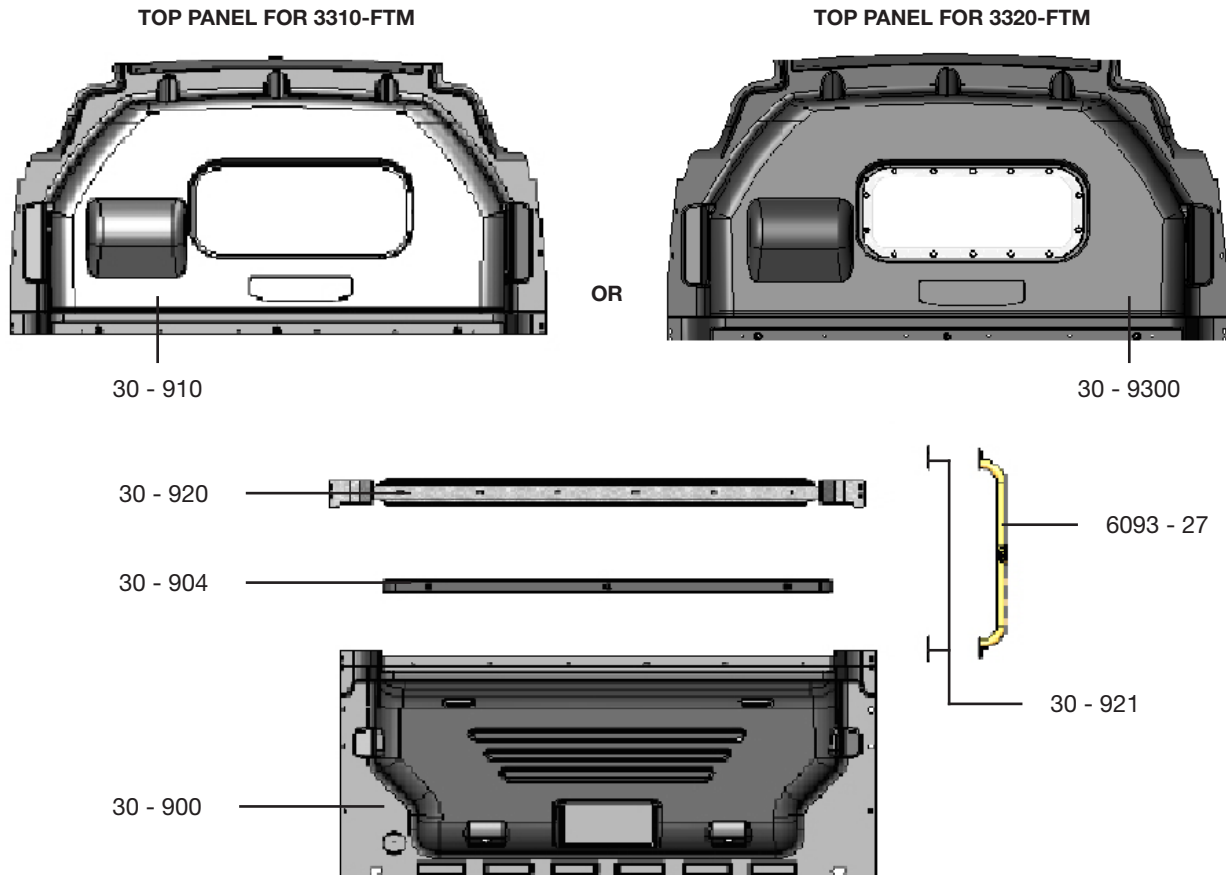
**2**  
**PERSONS**

- Cordless Impact
- Cordless Drill
- Marker
- Plusnut Tool
- Tape Measure
- 3/8" Drill Bit
- 7/16" Socket
- 1/2" Socket
- 9/16" Wrench
- 10mm Socket

# PHASE 1 – ASSEMBLY

## 1.1 SETUP

1.1.1 Unpack components; compare with the bill of materials.

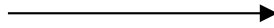


1.1.2 Verify all parts are present.

Item No.	Description	Qty.
30-900	Bottom Panel	1
30-904	Bolt Cap	1
30-910 OR 30-9300	Top Panel	1
30-920	Support	1
30-921	Handle Plate	2
6093-27	Large Grab Handle	1
94-5017	Assembly Fastener Kit	1
96-3040	Install Fastener Kit	1

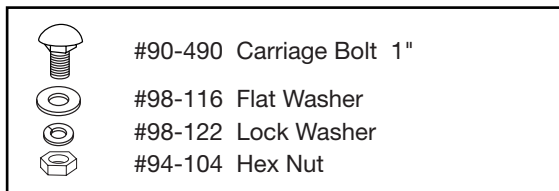
1.1.3 Identify the **Assembly** and **Installation** fastener bags.

94-5017

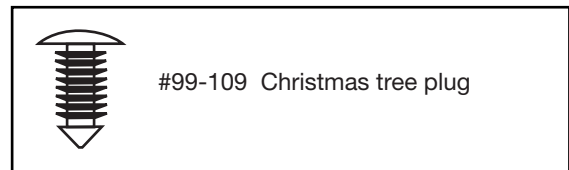


Hardware Assembly

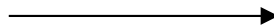
x6



x3



96-3040

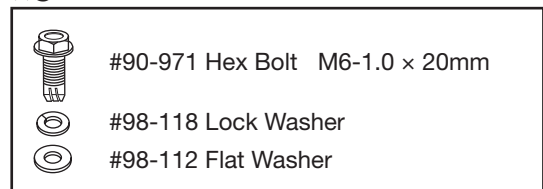


Hardware Assembly

x11



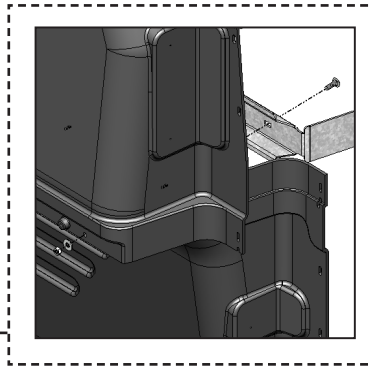
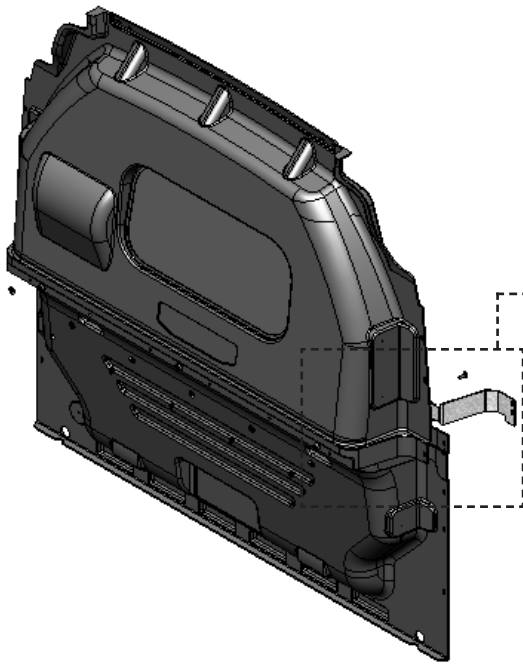
x5



# PHASE 1 – ASSEMBLY

## 1.2 PARTITION ASSEMBLY

1.2.1 Attach the top and bottom panel with support bracket.



### TOOLS

- Cordless Impact
- 1/2" Socket

### HARDWARE USED

6x



#90-490 Carriage Bolt 1"



#98-116 Flat Washer

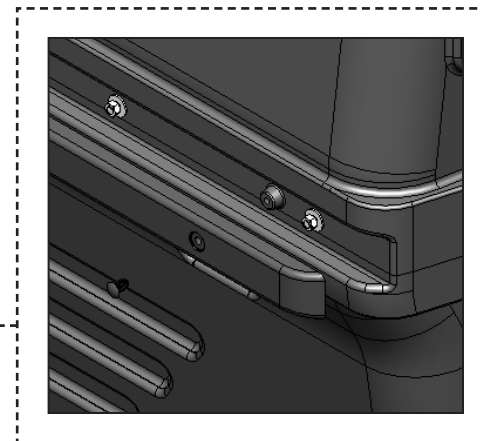
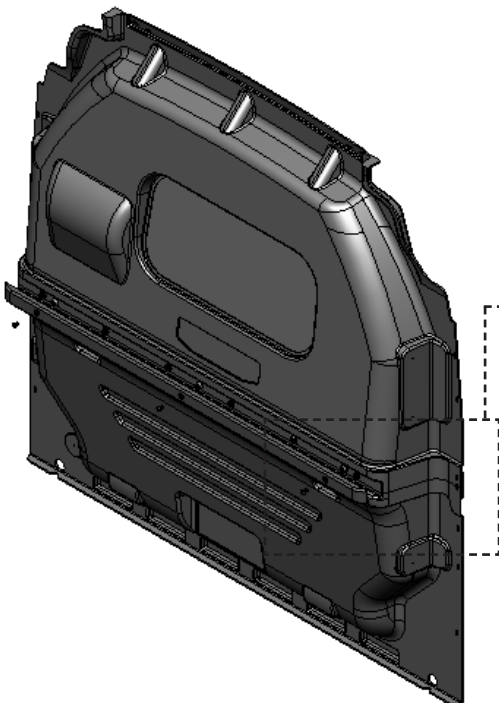


#98-122 Lock Washer



#94-104 Hex Nut

1.2.2 Plug the Bolt cap to the partition using Christmas tree plug.



### HARDWARE USED

3x

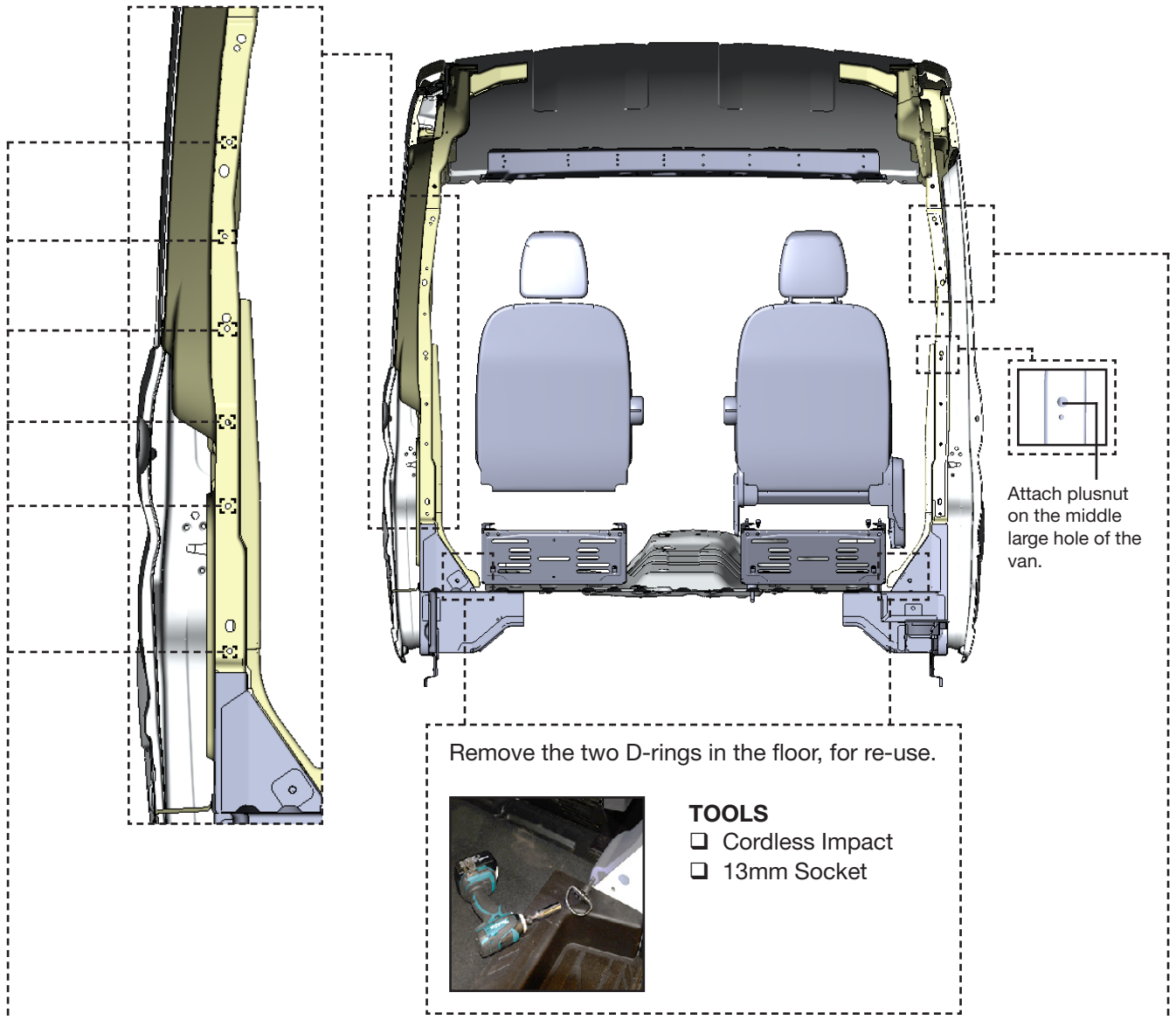


#99-109 Christmas tree plug

# PHASE 2 – INSTALL

## 2.1 VEHICLE PREPARATION

### 2.1.1 Driver and passenger sides preparation.



Attach plusnuts on the five factory holes.



**TOOLS**

- Plusnut Tool

**HARDWARE USED**

**6x**



# 94-130  
Plusnut .250

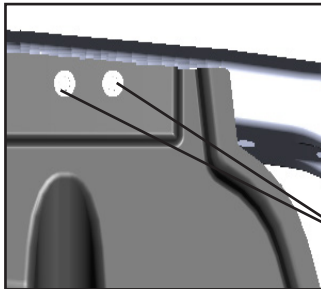
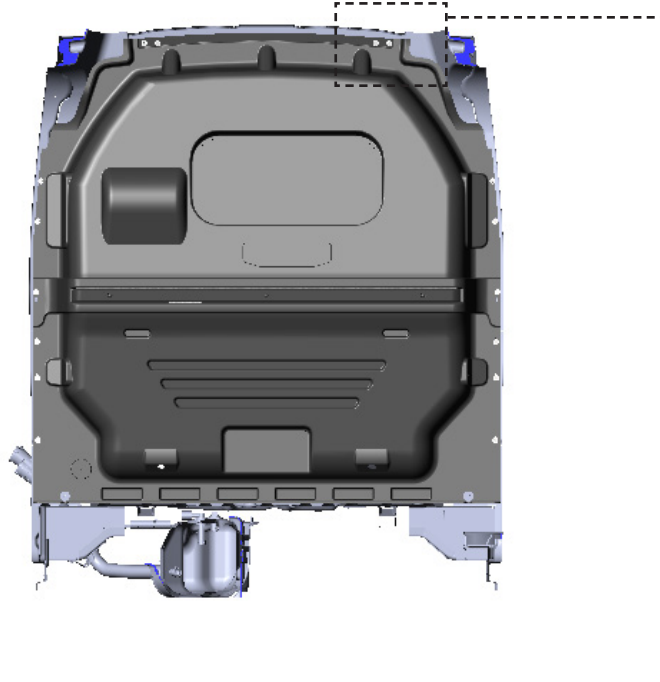
Remove the factory handle in the van.



**TOOLS**

- Cordless Impact
- 10mm Socket

## 2.1.2 Ceiling preparation.

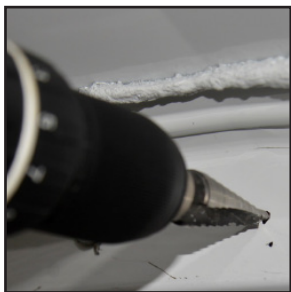


Lift the assembled partition inside the van and put it in place, then put 4 marks on the van through the holes of the top panel.

MARKS

### TOOLS

- Marker



Put the assembled partition on the side, then drill the 4 marks using the 3/8" drill bit or step drill.

### TOOLS

- Cordless Drill
- 3/8" Drill Bit or Step Drill



Attach plusnuts in the 4 holes.

### TOOLS

- Plusnut Tool

### HARDWARE USED

4x

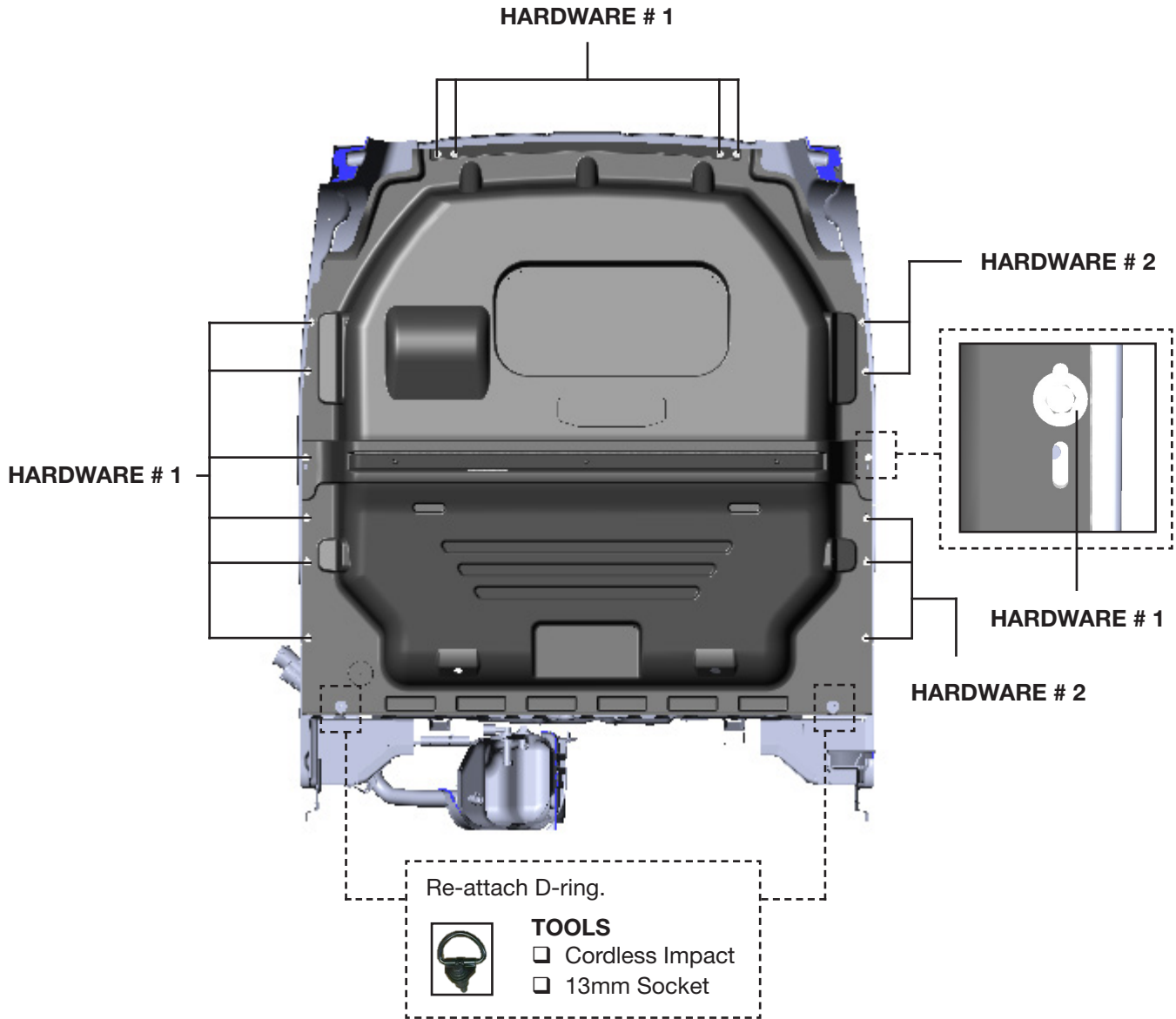


# 94-130  
Plusnut .250

# PHASE 2 – INSTALLATION

## 2.2 PARTITION INSTALLATION

2.2.1 Lift and place the partition back on the van, then attach the partition to the van.



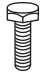
### HARDWARE # 1

**TOOLS**

- Cordless Impact
- 7/16" Socket

**HARDWARE USED**

**11x**

-  #90-118 Hex Bolt 1/4" x 1-1/4"
-  #98-118 Lock Washer
-  #98-112 Flat Washer




### HARDWARE # 2

**TOOLS**

- Cordless Drill
- 10mm Socket

**HARDWARE USED**

**5x**

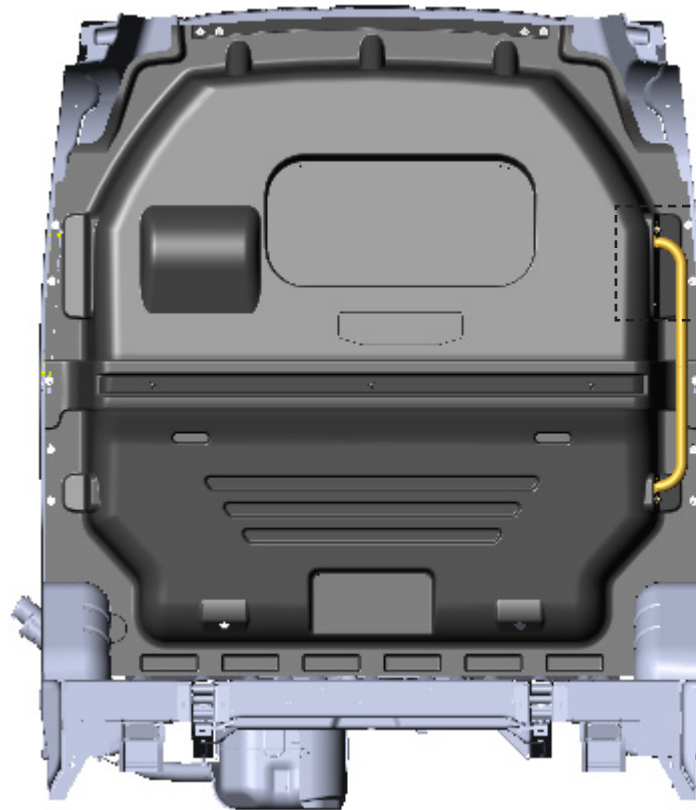
-  #90-971 Hex Bolt M6-1.0 x 20mm
-  #98-118 Lock Washer
-  #98-112 Flat Washer



# PHASE 2 – INSTALLATION

## 2.3 HANDLE INSTALLATION

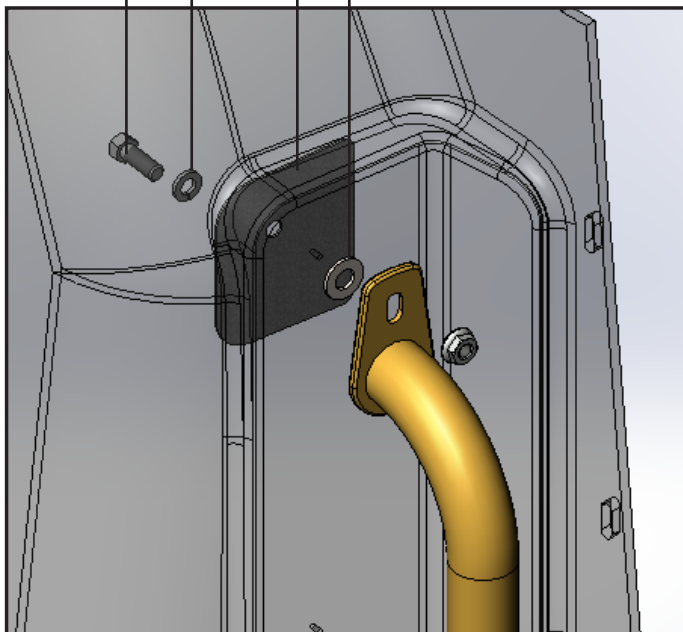
2.3.1 Attach the handle on the passenger side of the van.



INSIDE



FLAT WASHER



**NOTE:** You need to enlarge the hole in the partition panel.

### TOOLS

- Cordless Impact
- Cordless Drill
- 1/2" Socket
- 3/8" Drill Bit

### HARDWARE USED

**2x** GRAB HANDLE FASTENER KIT



#90-206 Hex Bolt 5/16" x 1"



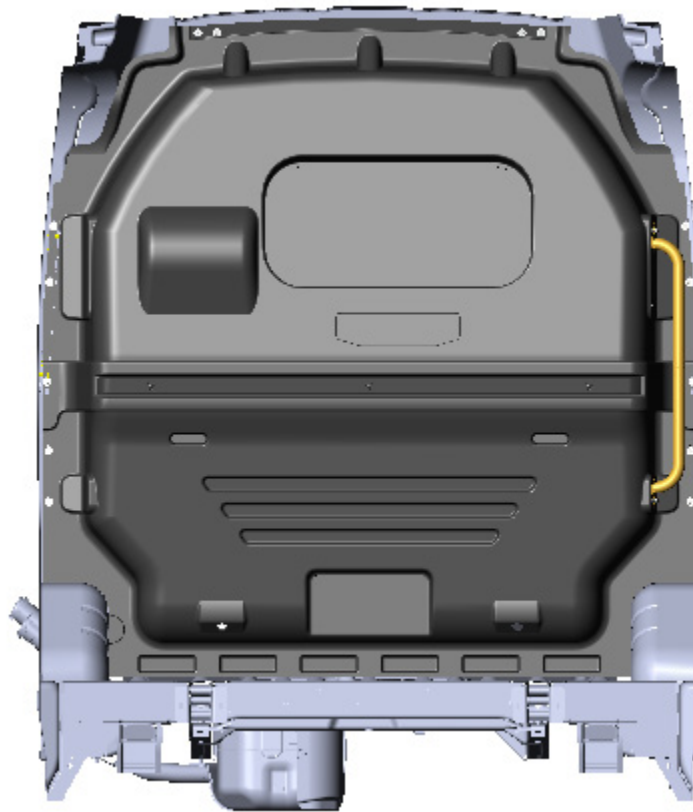
#98-122 Lock Washer



#98-116 Flat Washer



#94-116 Serrated Nut



**“You have successfully installed your  
Partition**

**Thank you for doing business with us.”**

For any feedback or suggestions you may have, please contact: [cs@rangerdesign.com](mailto:cs@rangerdesign.com)

