

**PRODUCT INFO**

Part #: ROH124-54W  
System: H1 Series  
Material: Aluminum  
Fitment: Sprinter High Roof 2007-Newer  
Color: White Plates  
Roller Bar is Silver

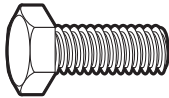









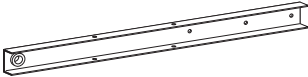

**REQUIRED TOOLS**

1/2" Wrench



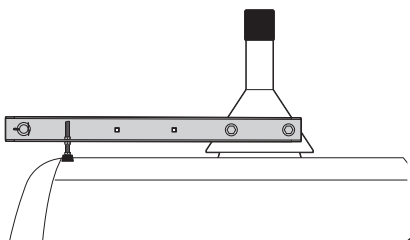
9/16" Wrench



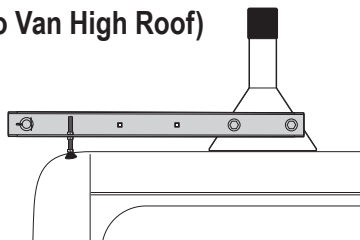
PART #	DESCRIPTION	QTY	ITEM ITEM NOT DRAWN TO SCALE
B078	3/8" X 1" HEX BOLT	4	
N002	5/16" NUT	4	
N003	3/8" NUT	4	
W008	5/16" X 3/4" WASHER	4	
W013	3/8" X 3/4" WASHER	4	
W016	3/8" X 1" WASHER	4	
W022	5/16" LOCK WASHER	4	
W023	3/8" LOCK WASHER	4	
RO09	4" RISER BASE	2	
PIN-04	PIN	2	
ROH124	ROLLER H1 (24")	2	
A324-54	ROLLER WITH PRONGS	1	

**ROLLER POSITIONS (Position roller pass rear door)**

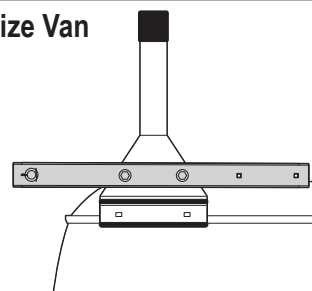
**ProMaster**

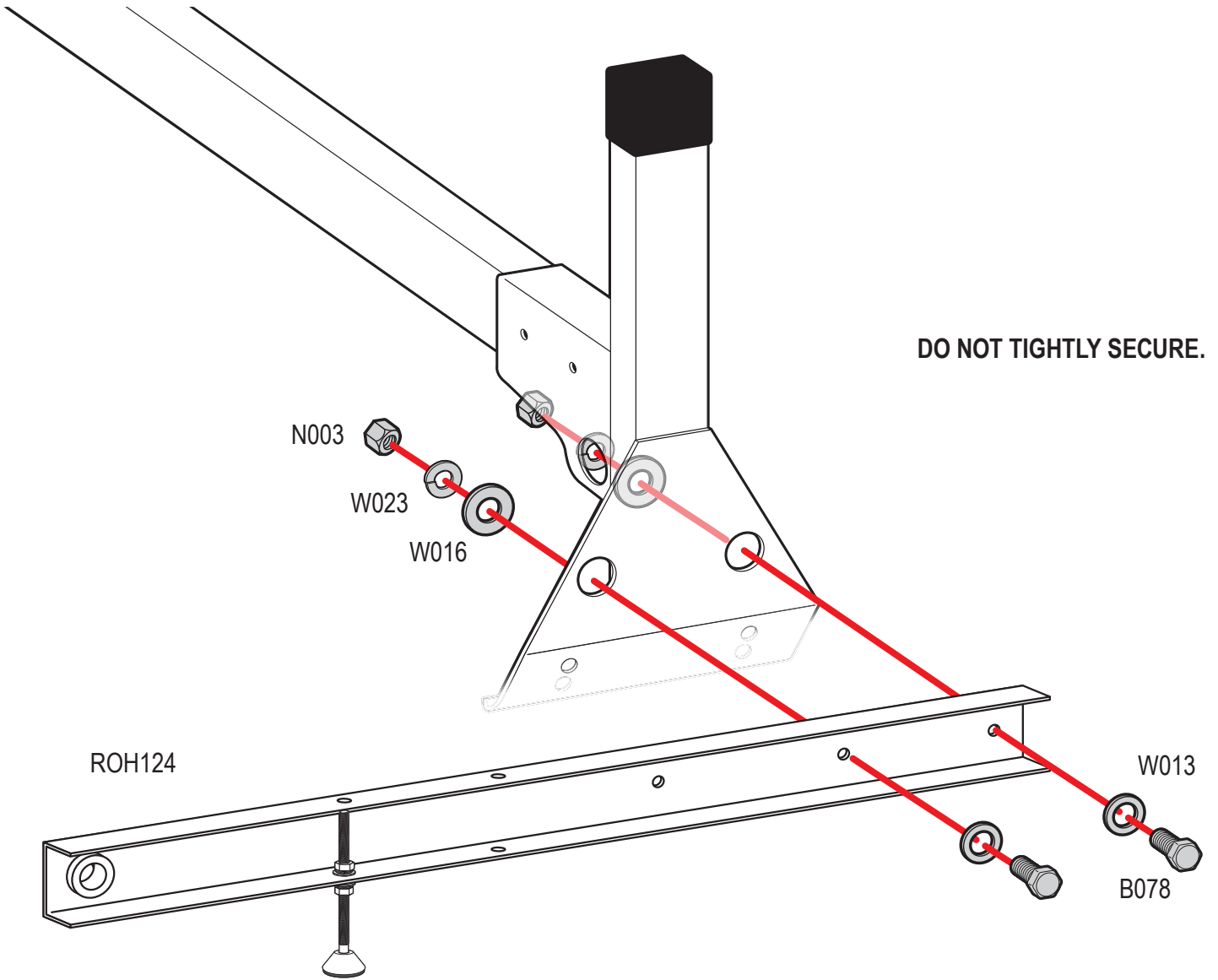
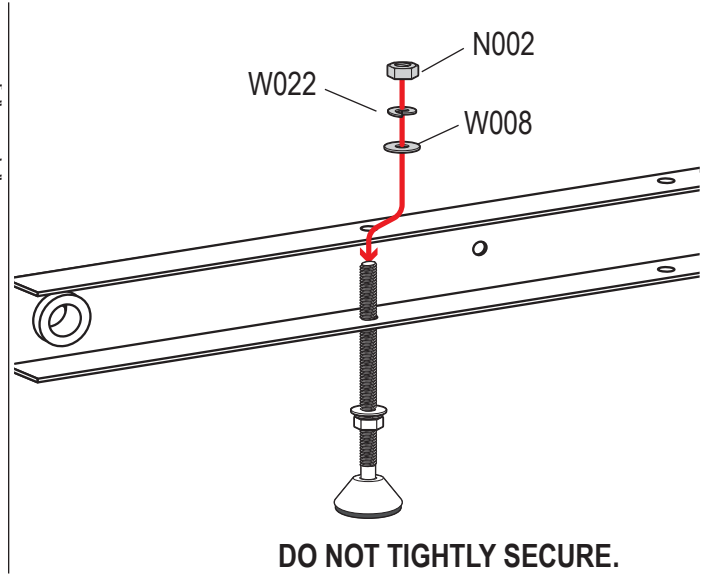
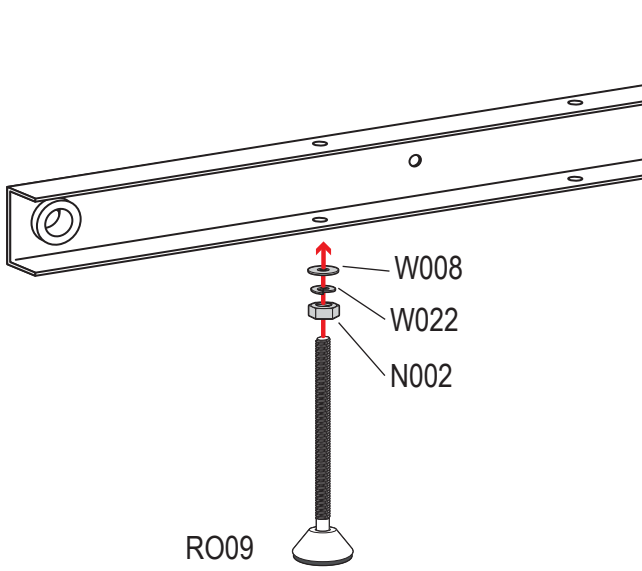


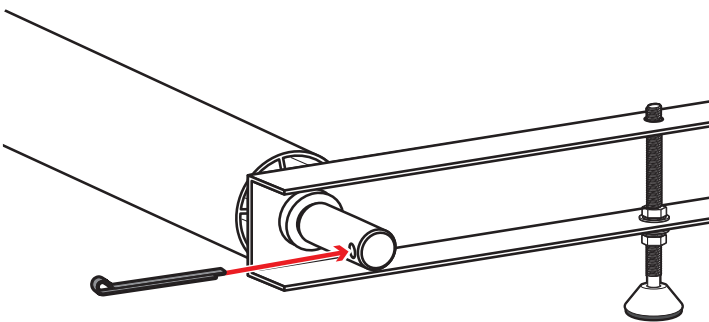
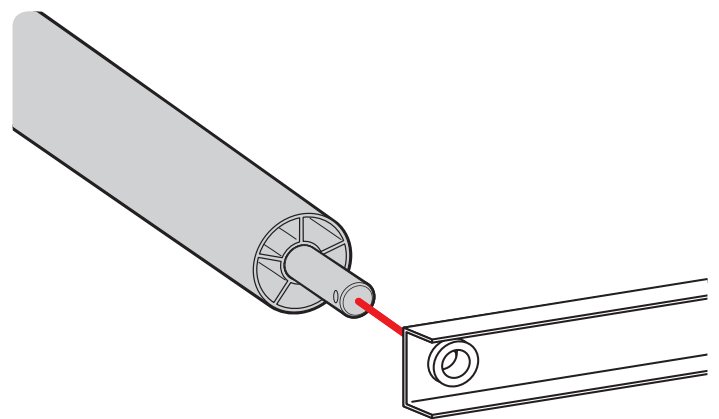
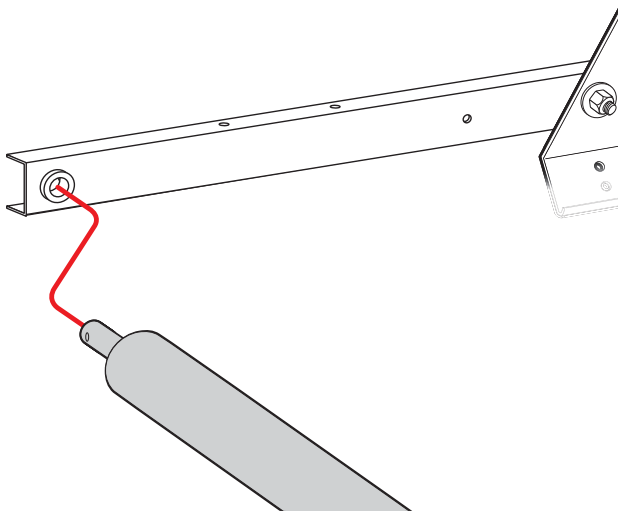
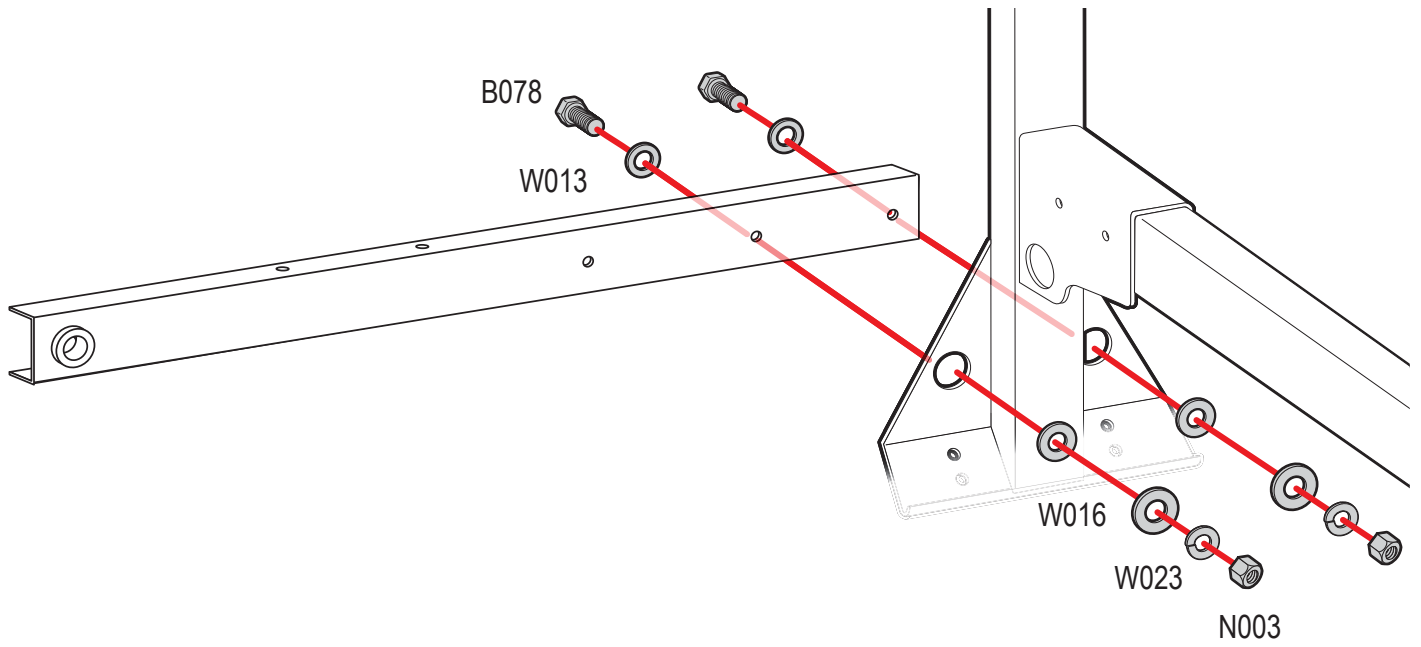
**Nissan NV  
(Cargo Van High Roof)**



**Fullsize Van**

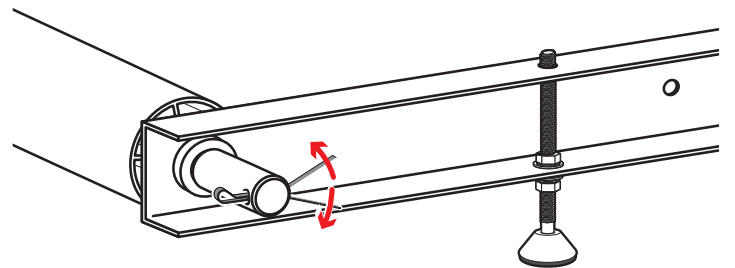






PIN-04

REPEAT ON OPPOSITE SIDE



TIGHTLY SECURE ALL HARDWARE.