

PRODUCT INFO

Part #: ROH124-54W
System: H1 Series
Material: Aluminum
Fitment: Sprinter High Roof 2007-Newer
Color: White Plates
Roller Bar is Silver

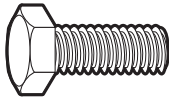









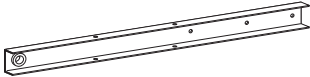

REQUIRED TOOLS

1/2" Wrench



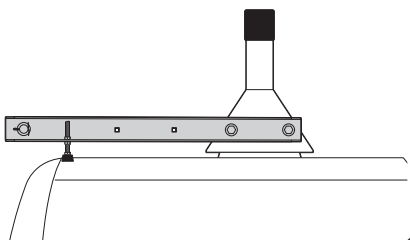
9/16" Wrench



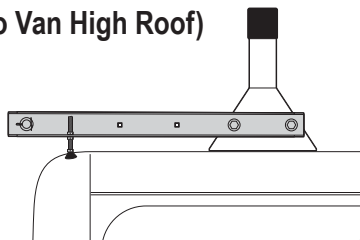
PART #	DESCRIPTION	QTY	ITEM
B078	3/8" X 1" HEX BOLT	4	 ITEM NOT DRAWN TO SCALE
N002	5/16" NUT	4	
N003	3/8" NUT	4	
W008	5/16" X 3/4" WASHER	4	
W013	3/8" X 3/4" WASHER	4	
W016	3/8" X 1" WASHER	4	
W022	5/16" LOCK WASHER	4	
W023	3/8" LOCK WASHER	4	
RO09	4" RISER BASE	2	
PIN-04	PIN	2	
ROH124	ROLLER H1 (24")	2	
A324-54	ROLLER WITH PRONGS	1	

ROLLER POSITIONS (Position roller pass rear door)

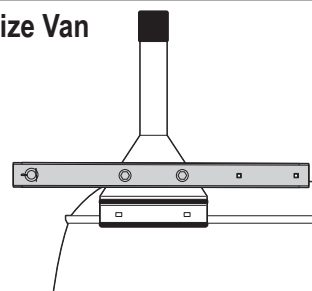
ProMaster

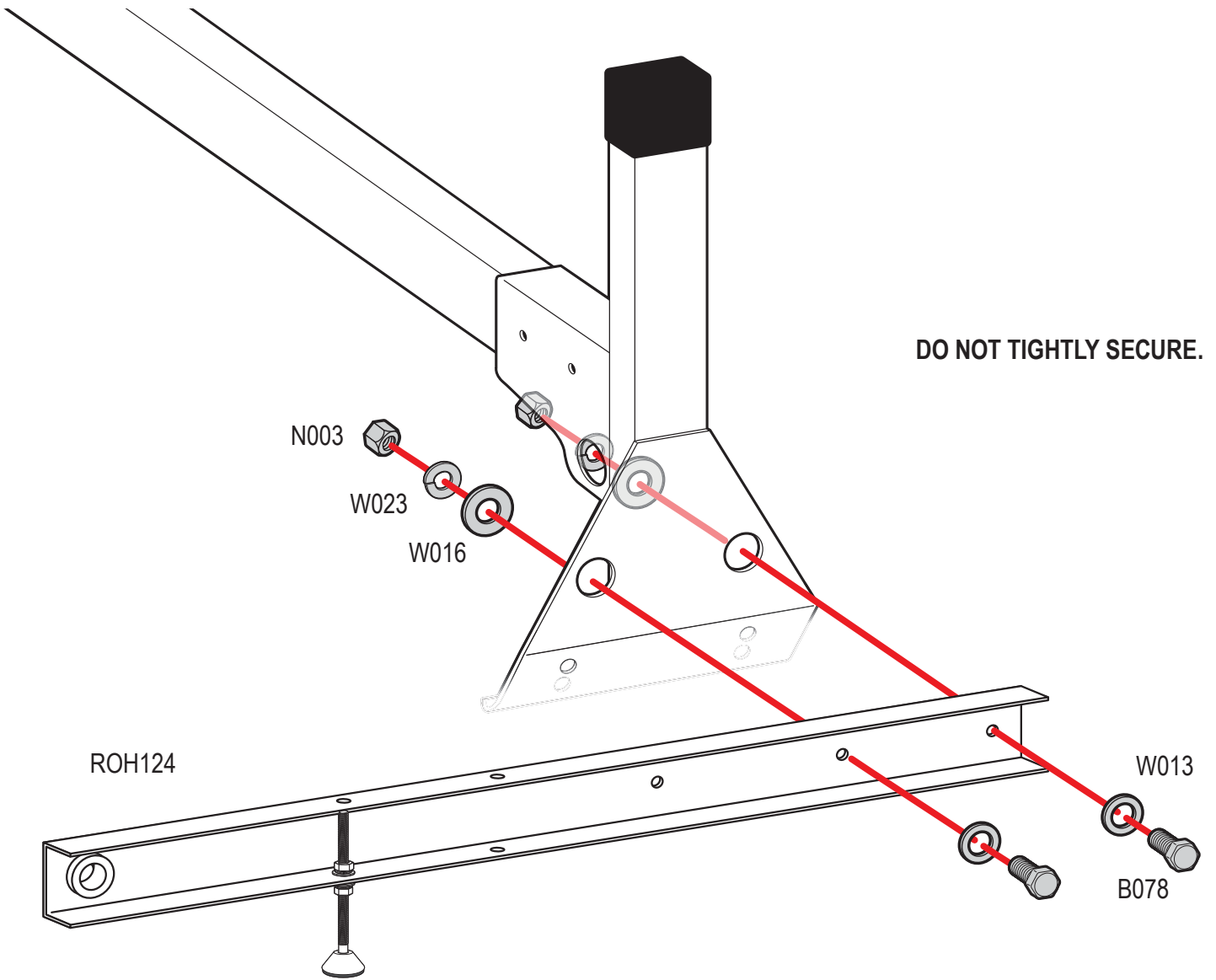
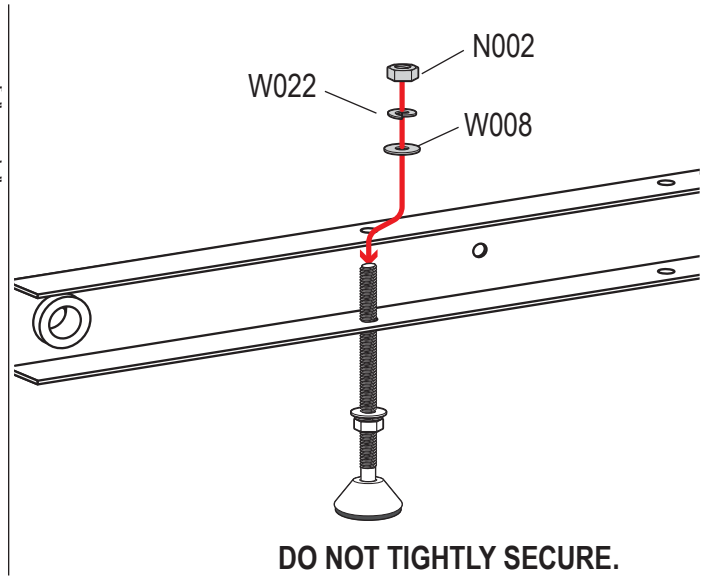
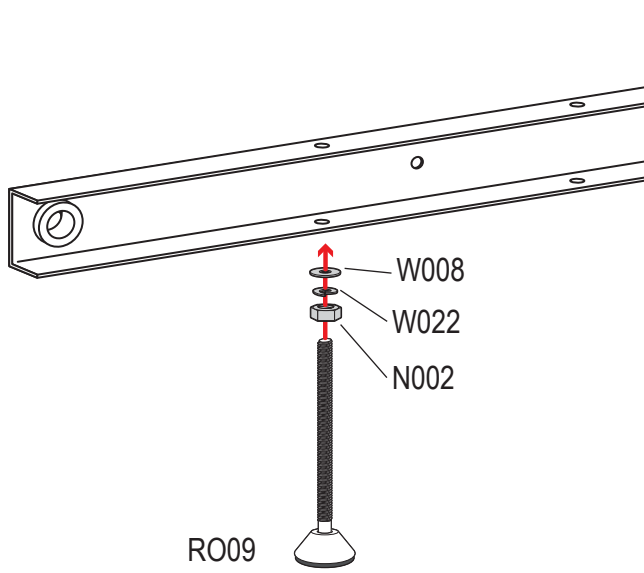


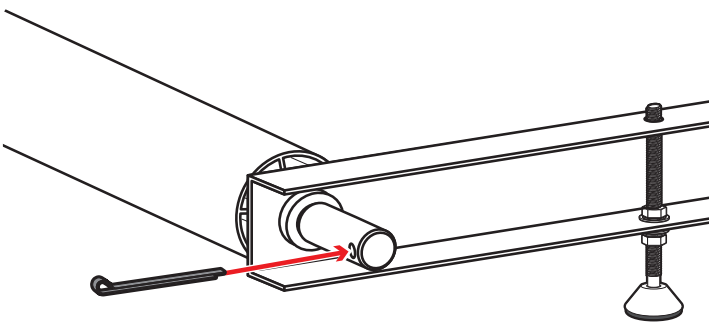
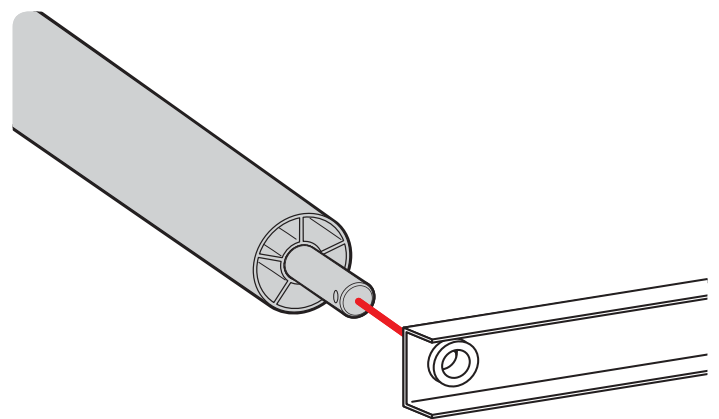
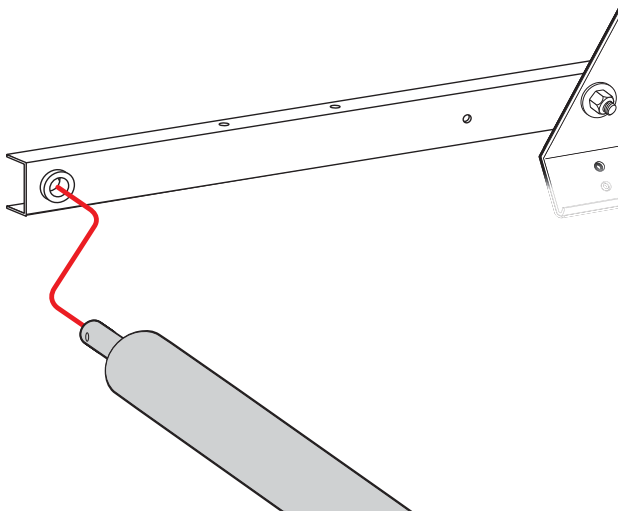
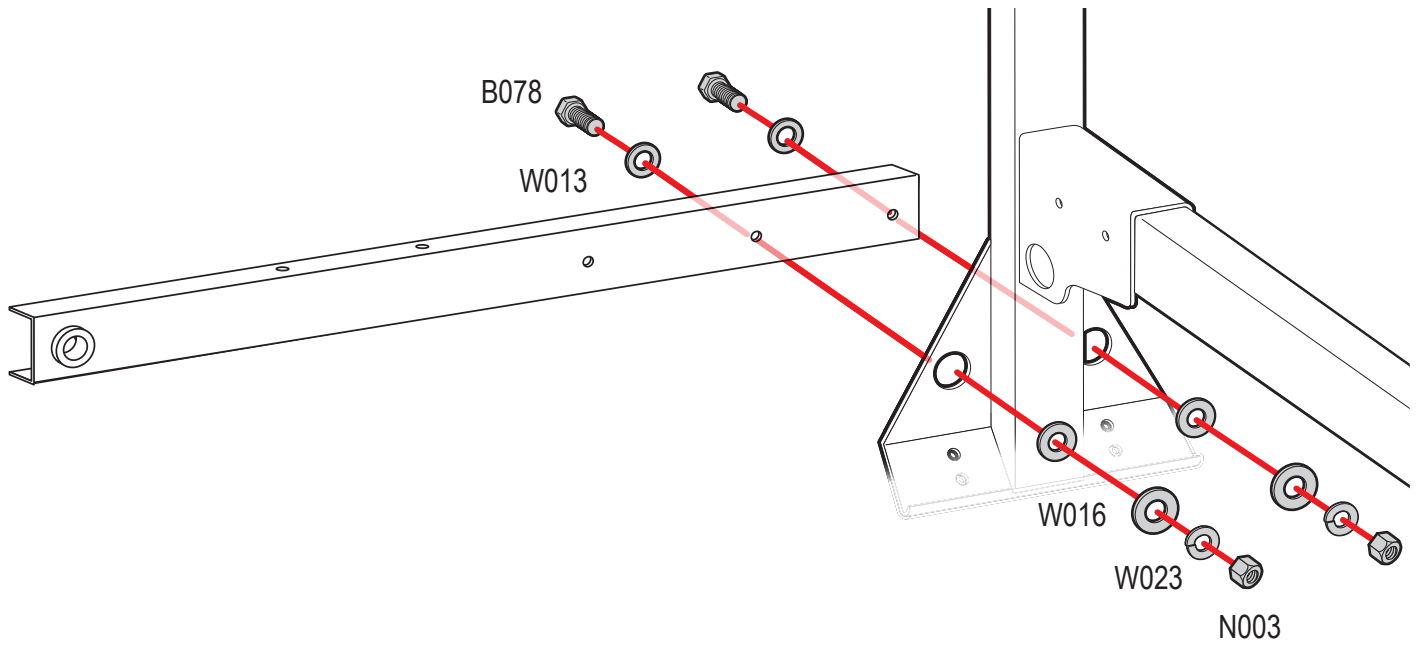
**Nissan NV
(Cargo Van High Roof)**



Fullsize Van

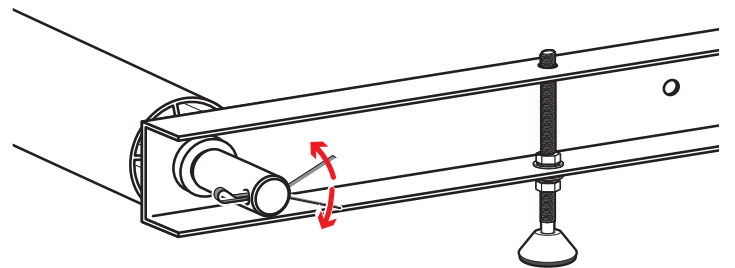






PIN-04

REPEAT ON OPPOSITE SIDE



TIGHTLY SECURE ALL HARDWARE.