

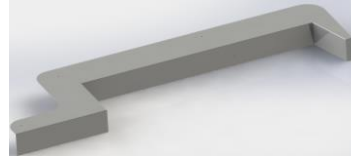
FORD TRANSIT SIDE STEP STEEL SILL INSTALLATION INSTRUCTIONS

PARTS:

1. Transit Floor

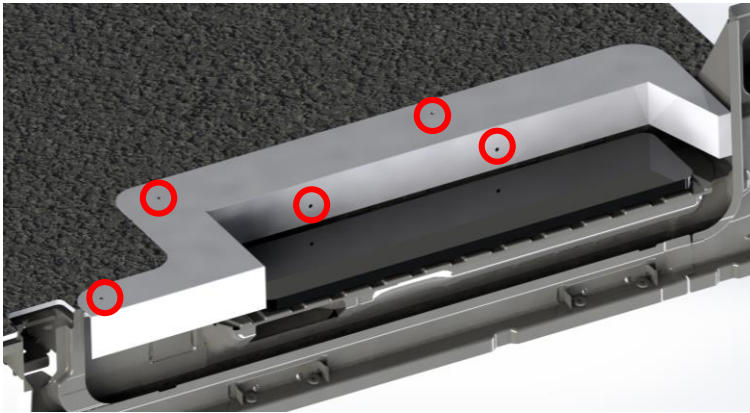
2. Side step steel sill

3. Side step push-in rivets



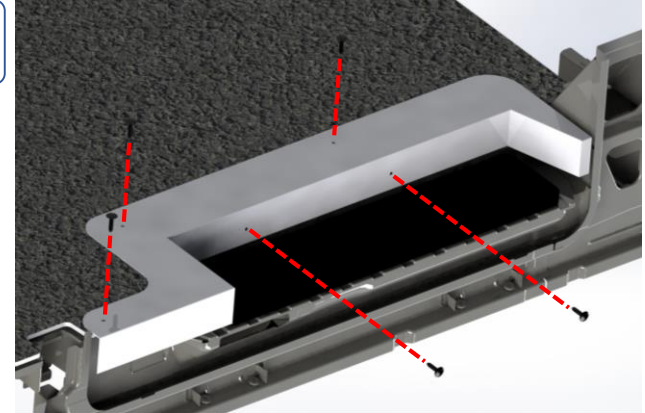
STEPS:

1



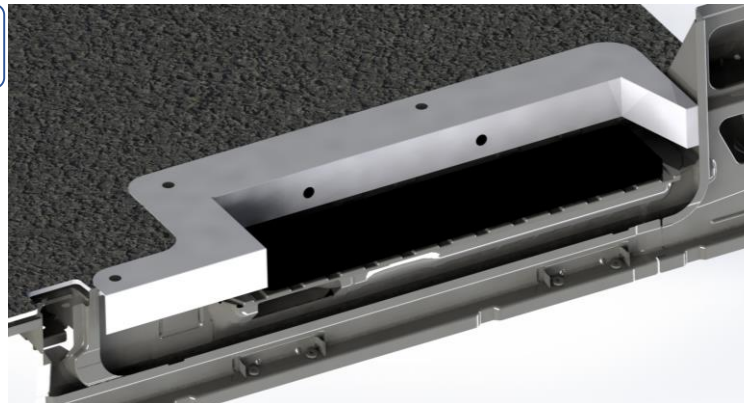
"After placing the floor in place along with the steel sill above it, mark and drill holes of 0.25 inches at the five locations highlighted in red."

2



"Insert the five push-in rivets in the five holes drilled"

3



"Final view of the installed side steel sill"

NOTE: The OEM plastic trim at the side step can be removed or left in the van

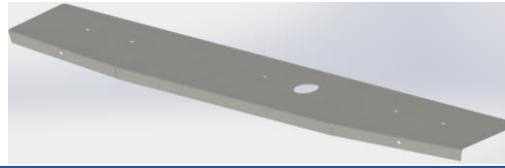
FORD TRANSIT REAR STEP STEEL SILL INSTALLATION INSTRUCTIONS

PARTS:

1. Transit Floor

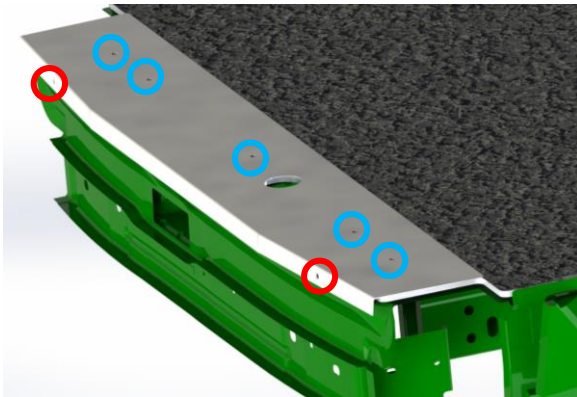
2. Rear step steel sill

3. Side step push-in rivets



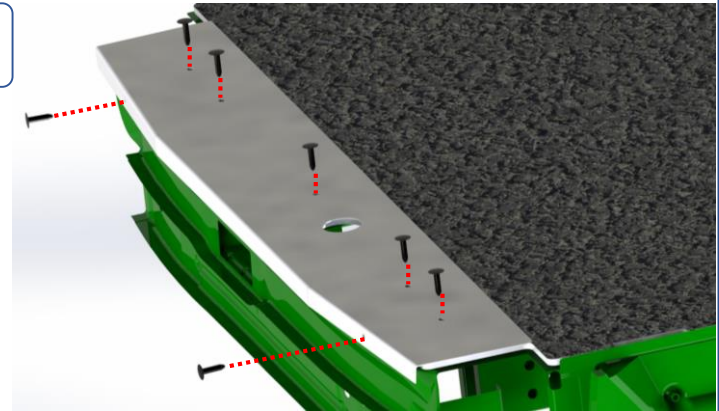
STEPS:

1



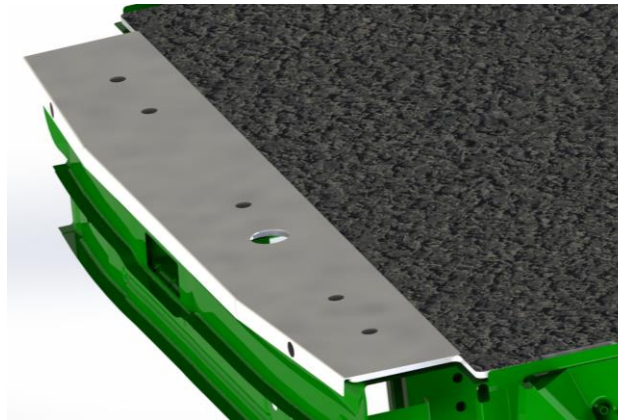
*"After placing the floor in place along with the steel sill above it, mark and drill holes of 0.25 inches at the five/seven locations highlighted."
(Please refer to the note below)*

2



"Insert push-in rivets in the holes drilled"

3



"Final view of the installed rear steel sill"

NOTE: In step 1, the rear two holes (highlighted in red), are to be used only when using a rubber mat floor