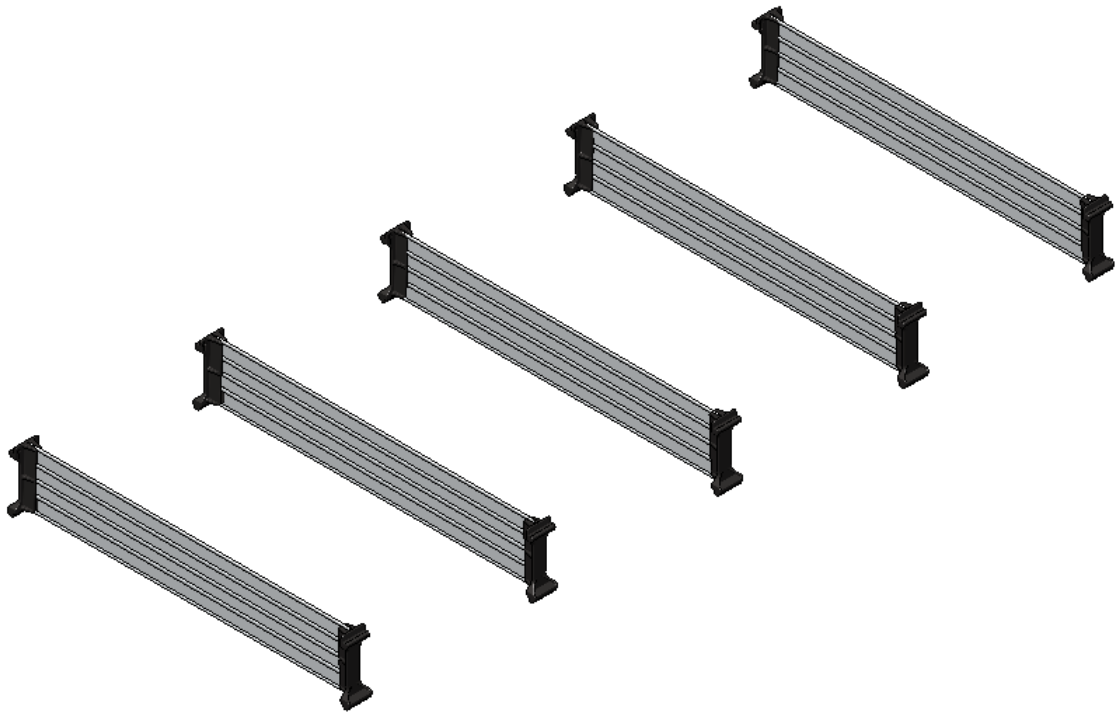


INSTALLATION GUIDE



62-UDR10 Shelving Dividers and Clips

QUICK START GUIDE

Phase 1 - Assembly

1.1 Setup..... 3 - 4

Phase 2 - Installation

2.1 Shelf Divider & Clips Installation..... 4 - 6
 2.2 How To Remove Shelf Divider & Clips..... 7

REQUIRED ITEMS



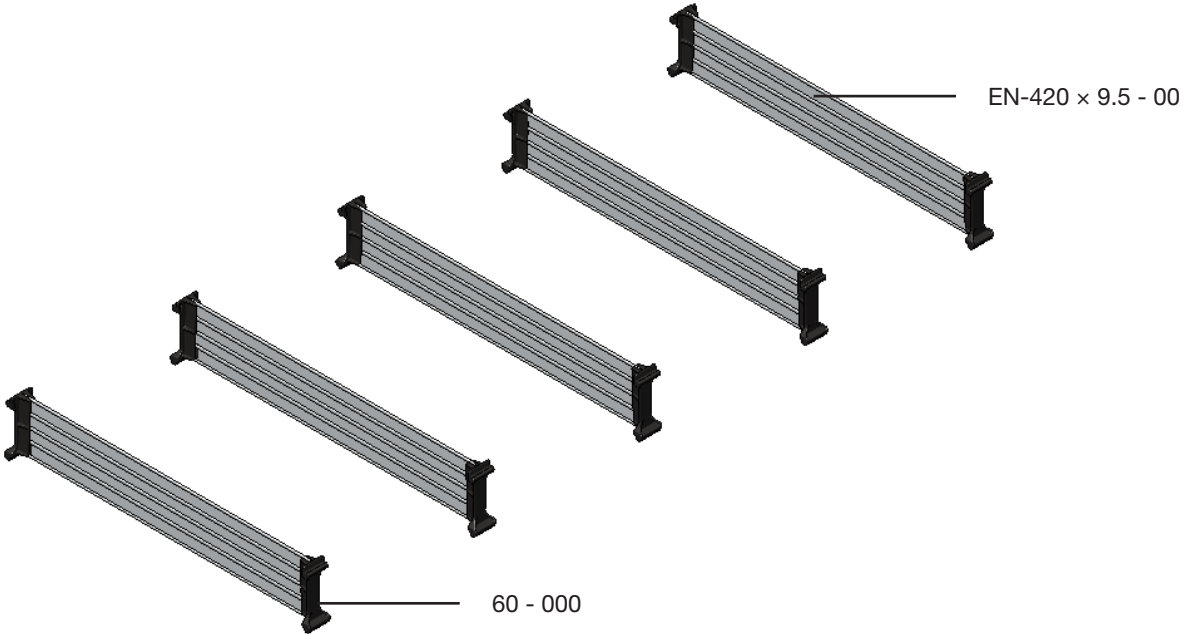
**1
PERSON**

- Tape Measure
- Marker

PHASE 1 – ASSEMBLY

1.1 SETUP

1.1.1 Unpack components; compare with the bill of materials.



1.1.2 Verify all parts are present.

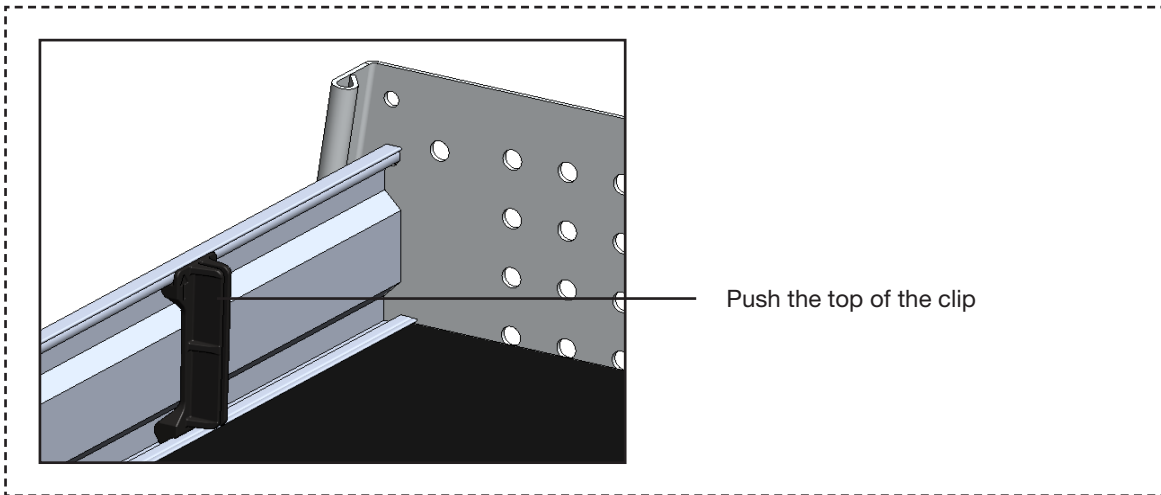
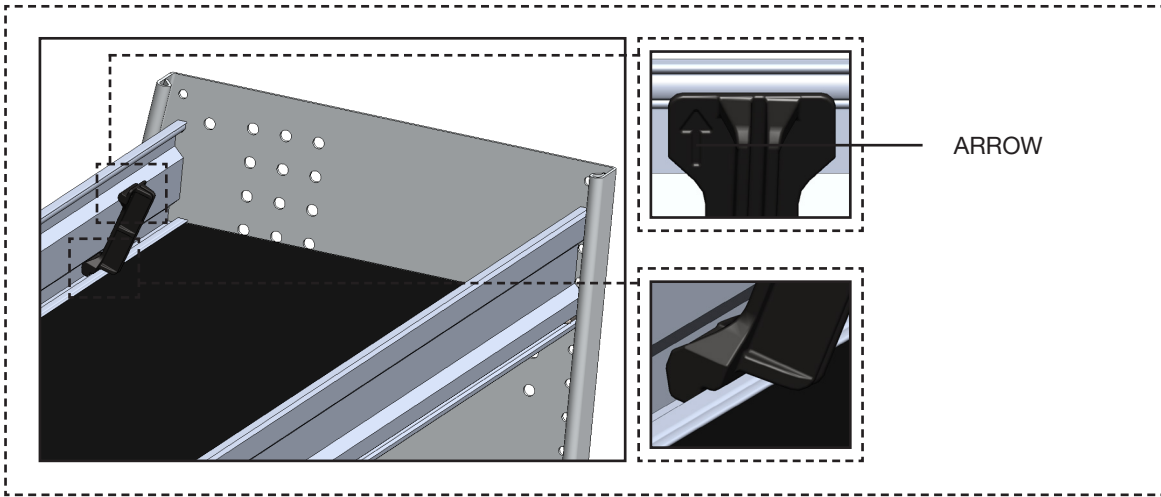
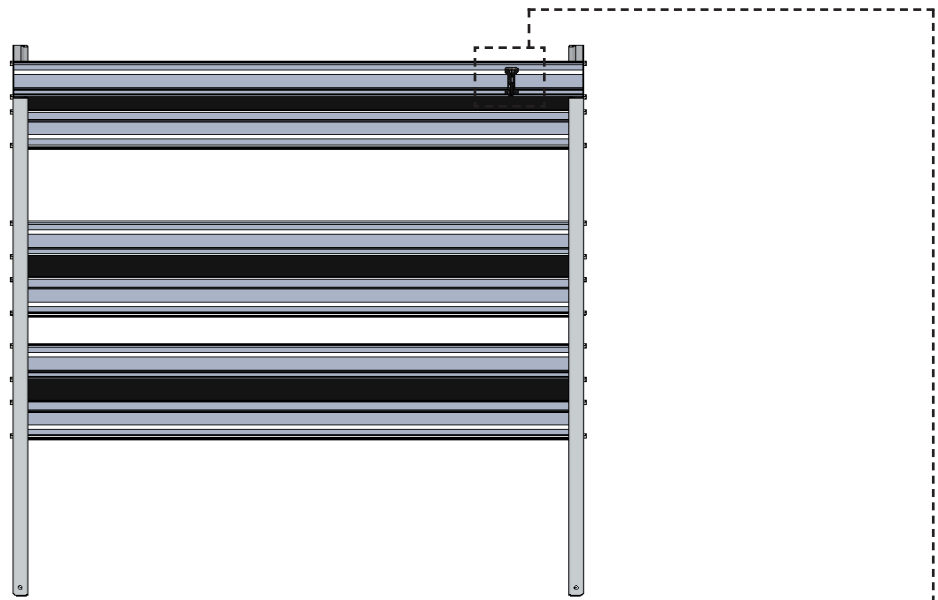
BILL OF MATERIALS

Item No.	Description	Qty.
60 - 000	Divider Clip	10
EN-420 x 9.5 - 00	Divider	5

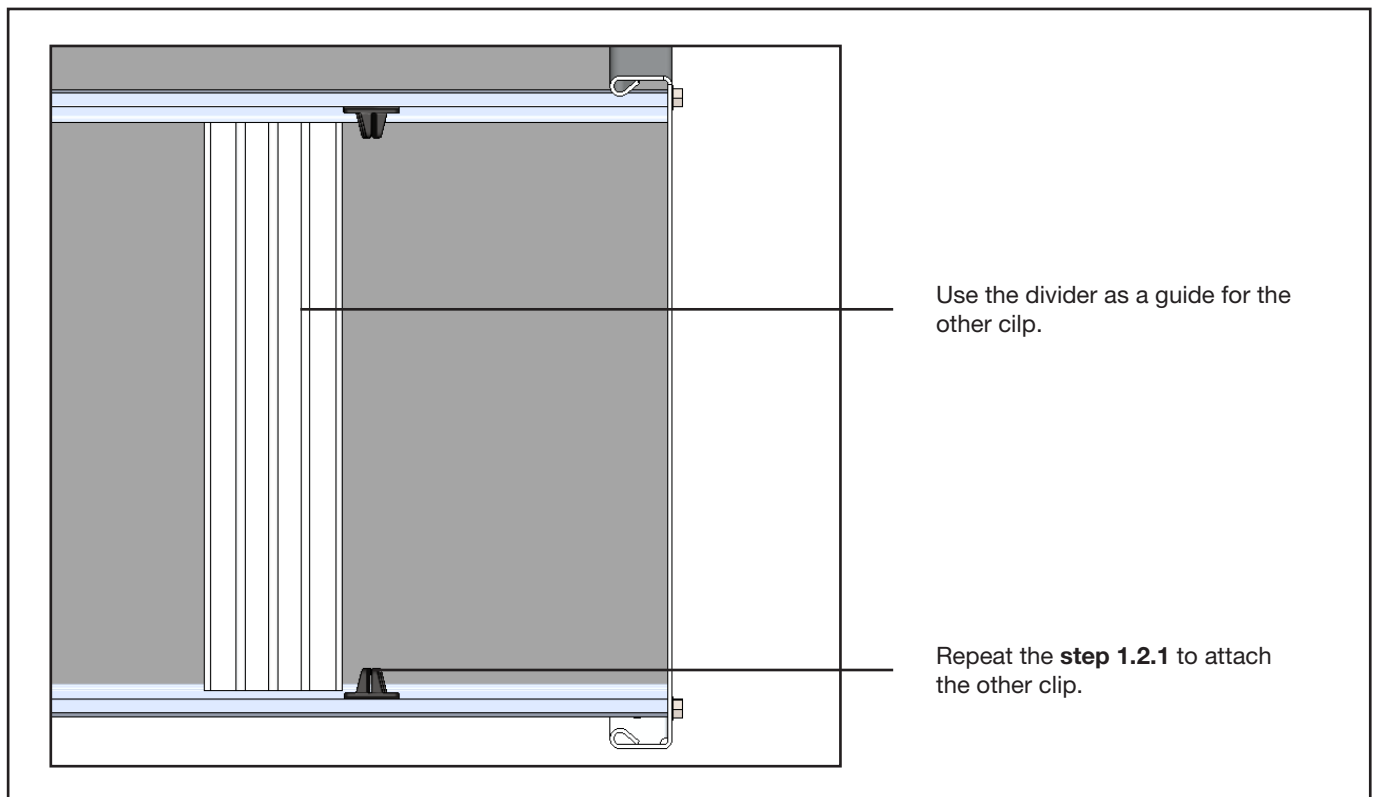
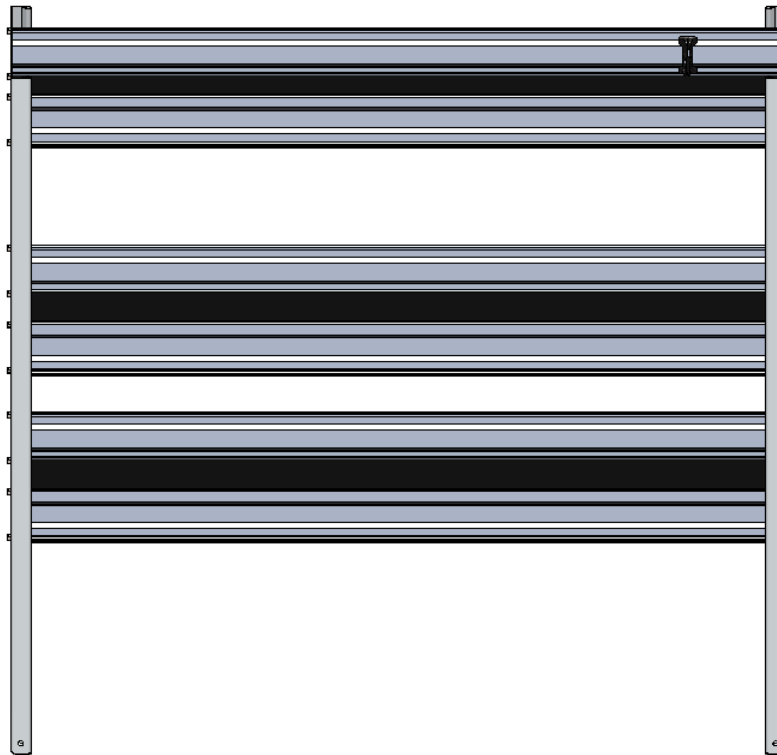
PHASE 2 – INSTALLATION

2.1 SHELF DIVIDER & CLIPS INSTALLATION

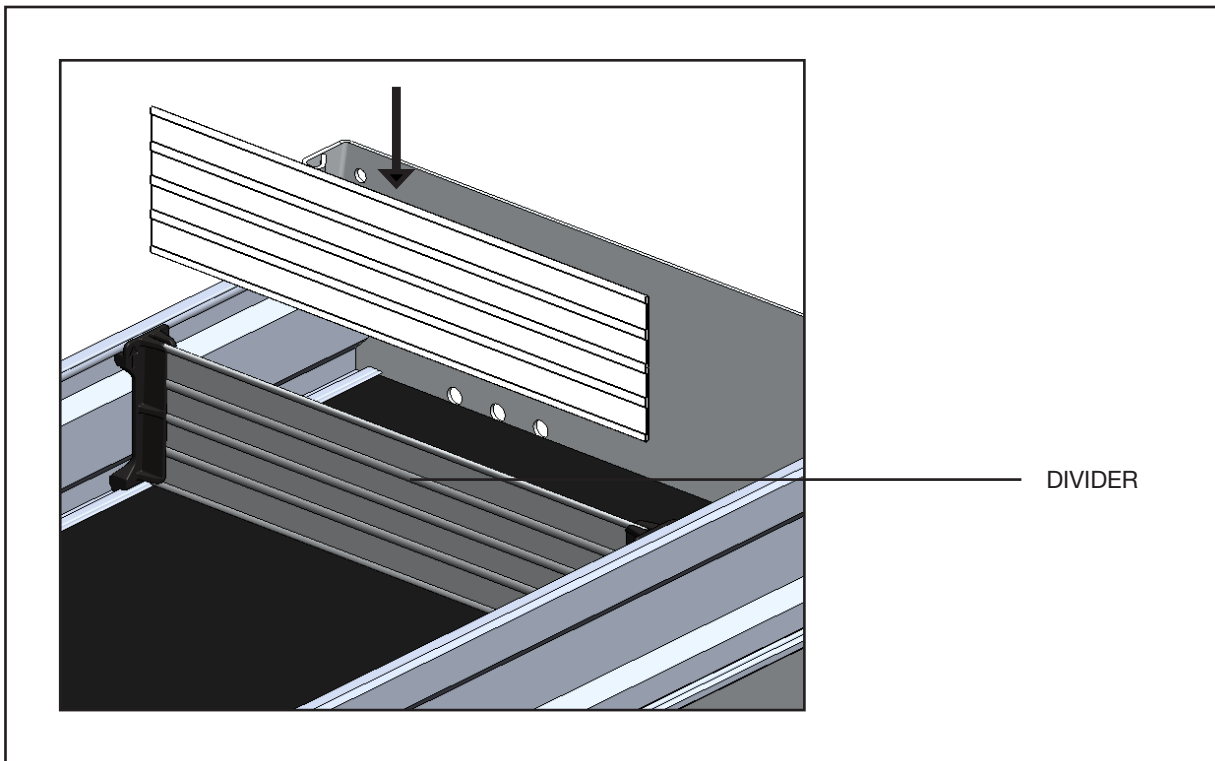
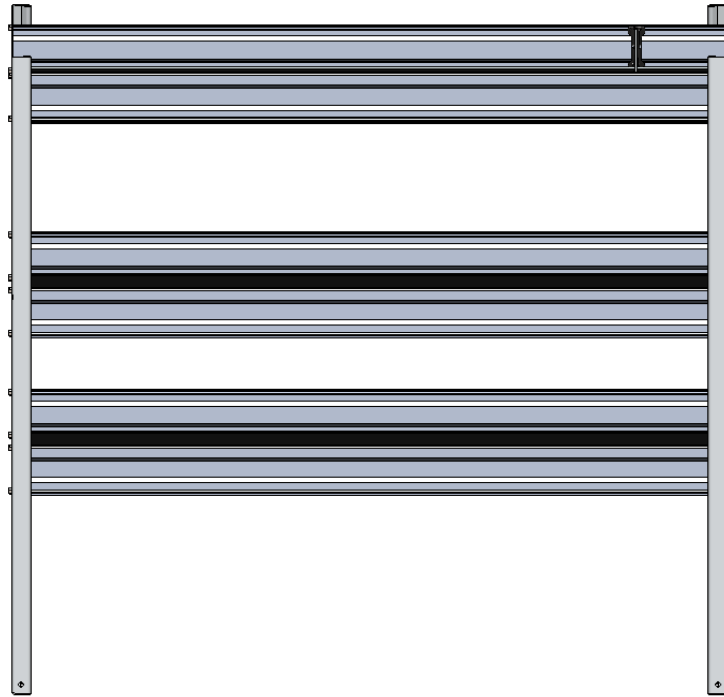
1.2.1 Attach the divider clips to the extrusions.



1.2.2 Use the divider as a guide, then attach the other clip by following the same step on **Page 4**.



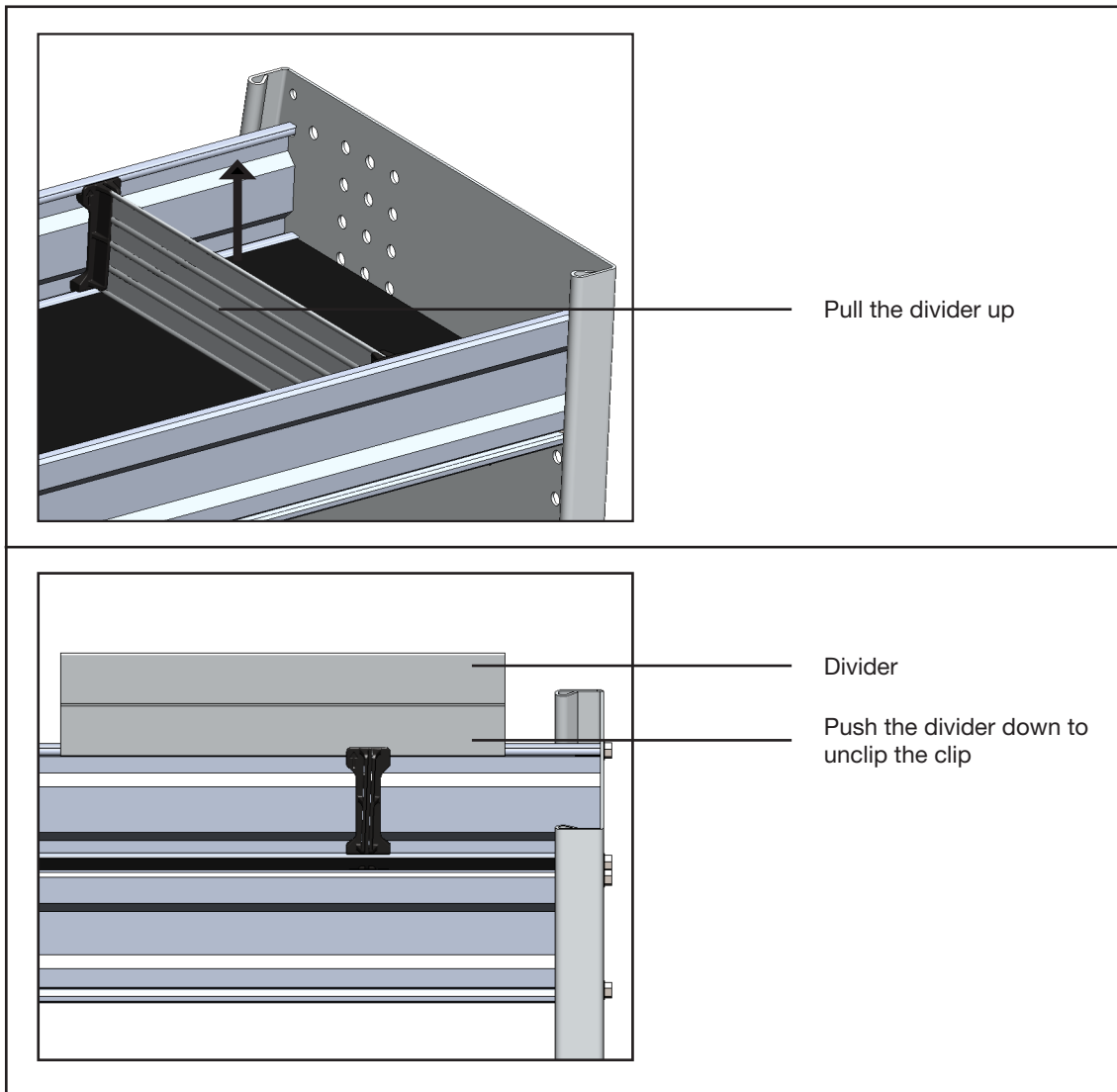
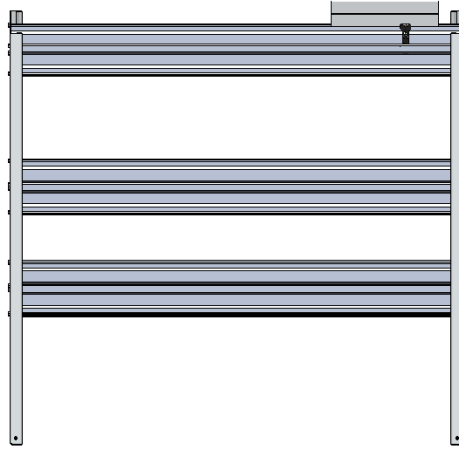
1.2.3 After attaching the clips, slide the both ends of the divider to the clips.



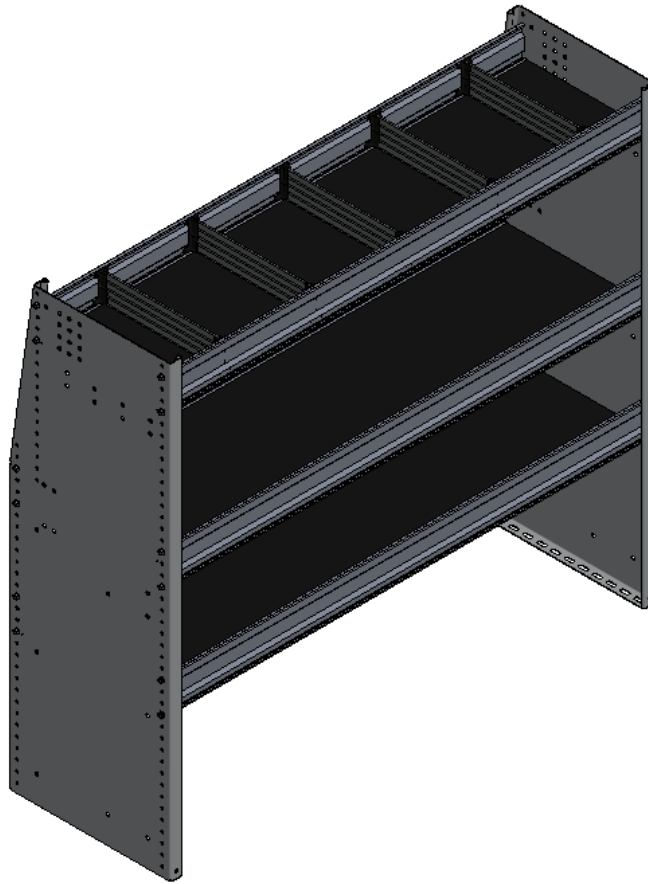
PHASE 2 – INSTALLATION

2.2 HOW TO REMOVE SHELF DIVIDER & CLIPS

2.2.1 Remove the divider then use the divider to unclip the clips.



You can watch our installation video on the Ranger Design website.



**“You have successfully installed your
62-UDR10**

Thank you for doing business with us.”

For any feedback or suggestions you may have, please contact: cs@rangerdesign.com

