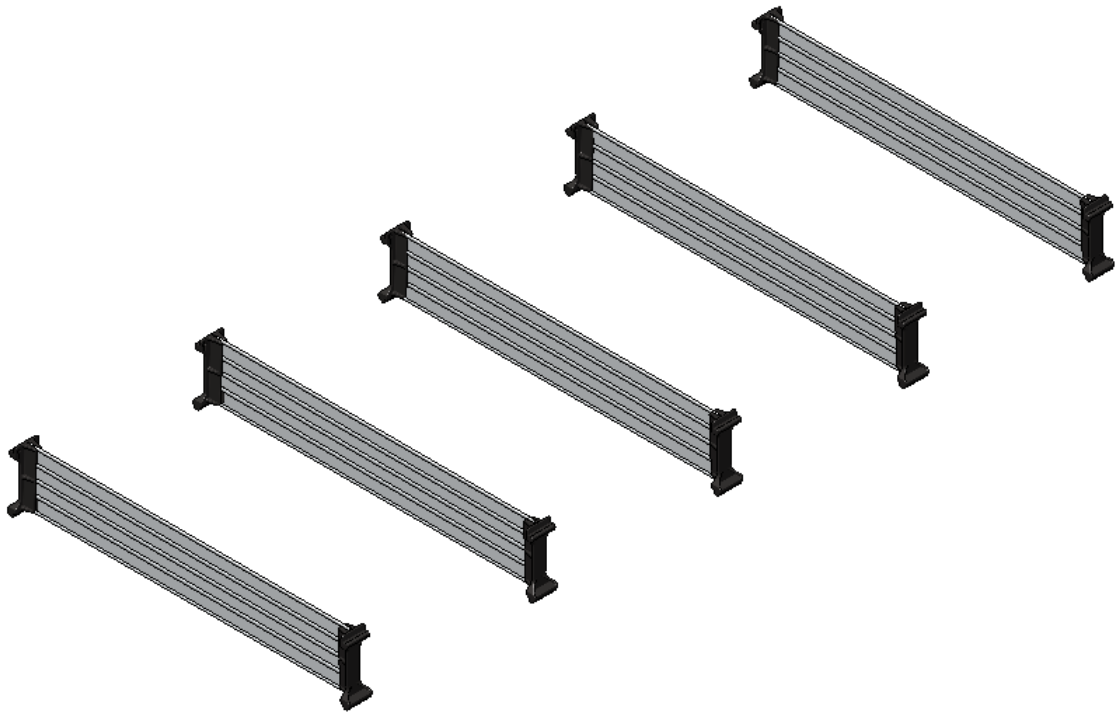


# INSTALLATION GUIDE



## 62-UDR18 Shelving Dividers and Clips

# QUICK START GUIDE

## Phase 1 - Assembly

<input type="checkbox"/> 1.1 Setup.....	3 - 4
---	-------

## Phase 2 - Installation

<input type="checkbox"/> 2.1 Shelf Divider & Clips Installation.....	4 - 6
<input type="checkbox"/> 2.2 How To Remove Shelf Divider & Clips.....	7

# REQUIRED ITEMS



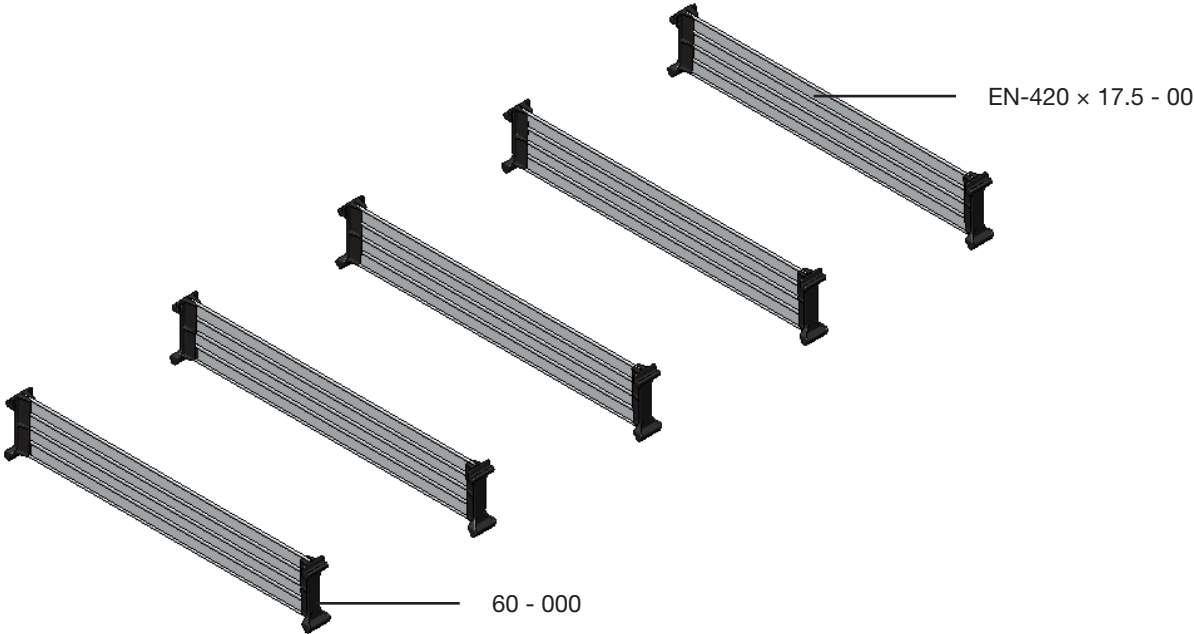
**1**  
**PERSON**

- Tape Measure
- Marker

# PHASE 1 – ASSEMBLY

## 1.1 SETUP

1.1.1 Unpack components; compare with the bill of materials.



1.1.2 Verify all parts are present.

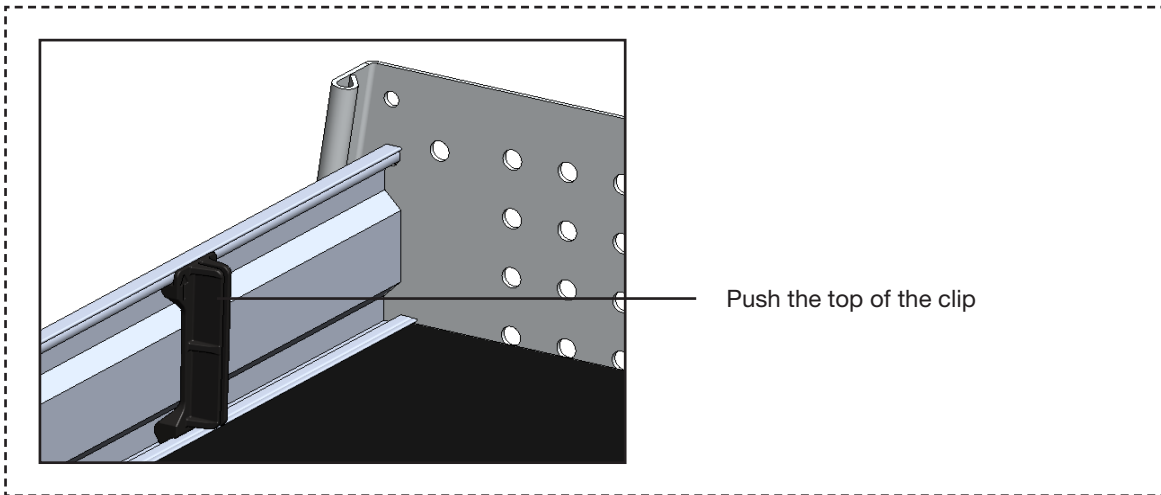
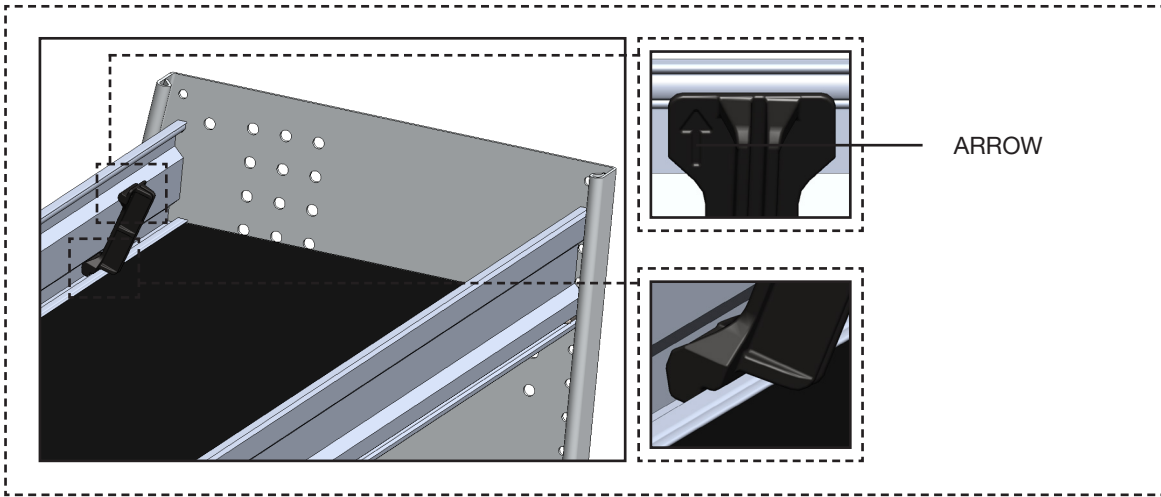
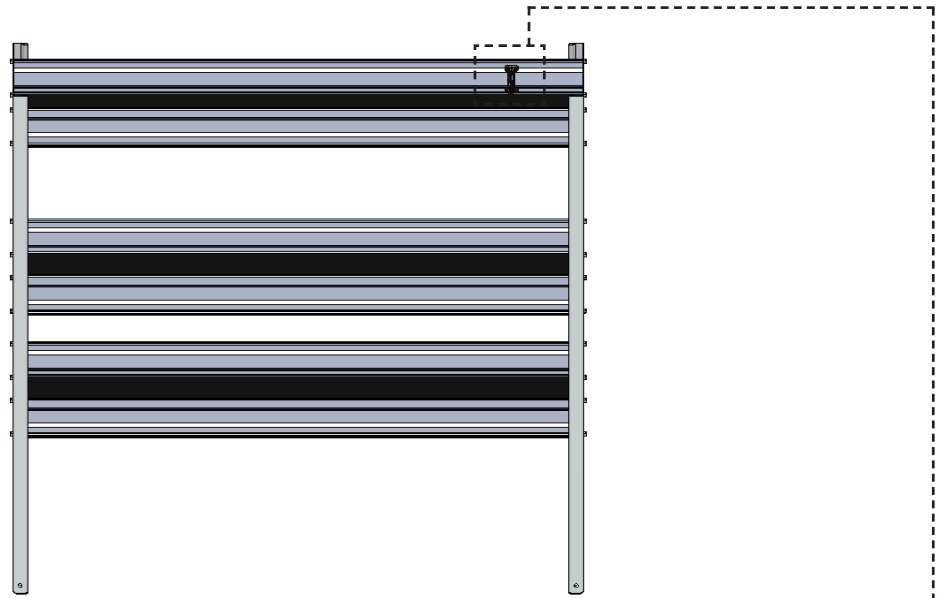
### BILL OF MATERIALS

Item No.	Description	Qty.
60 - 000	Divider Clip	10
EN-420 x 17.5 - 00	Divider	5

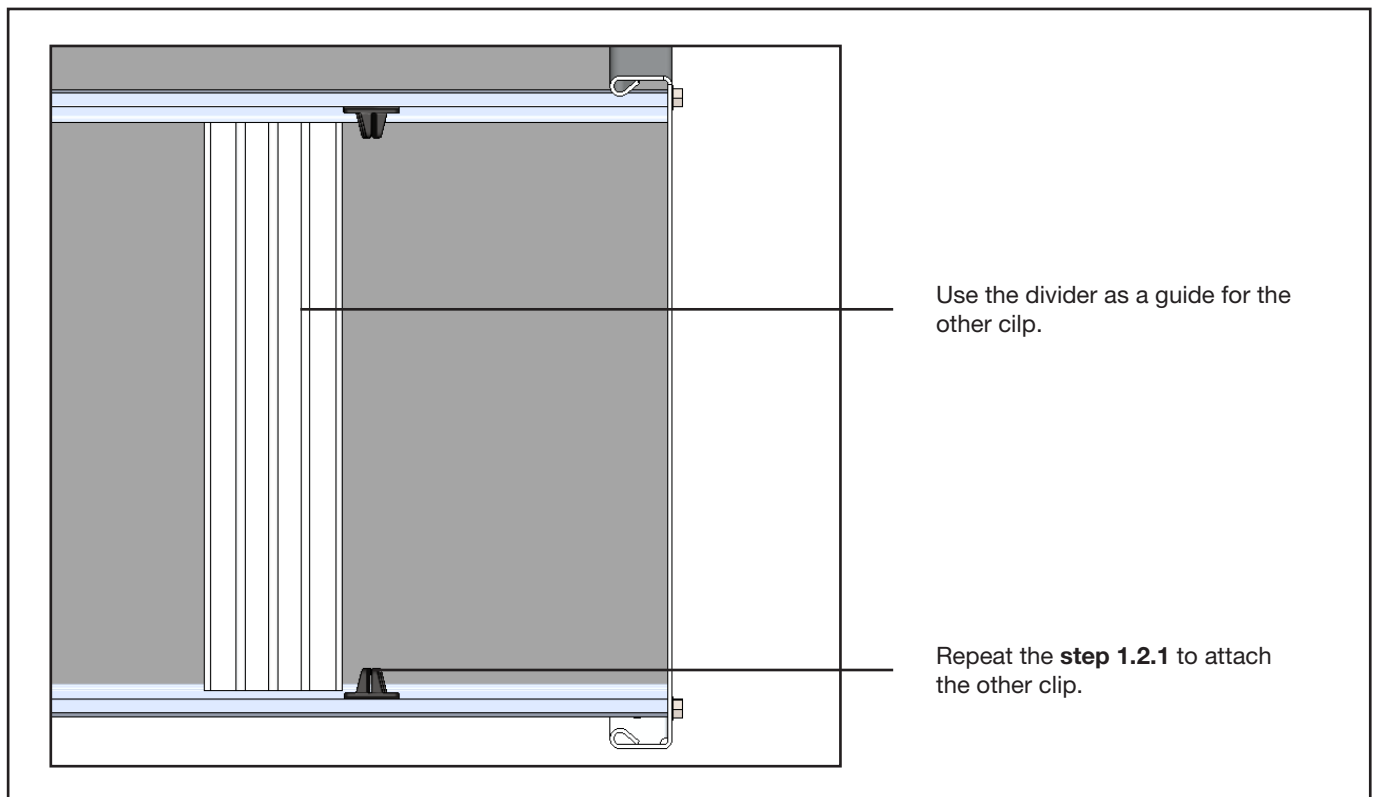
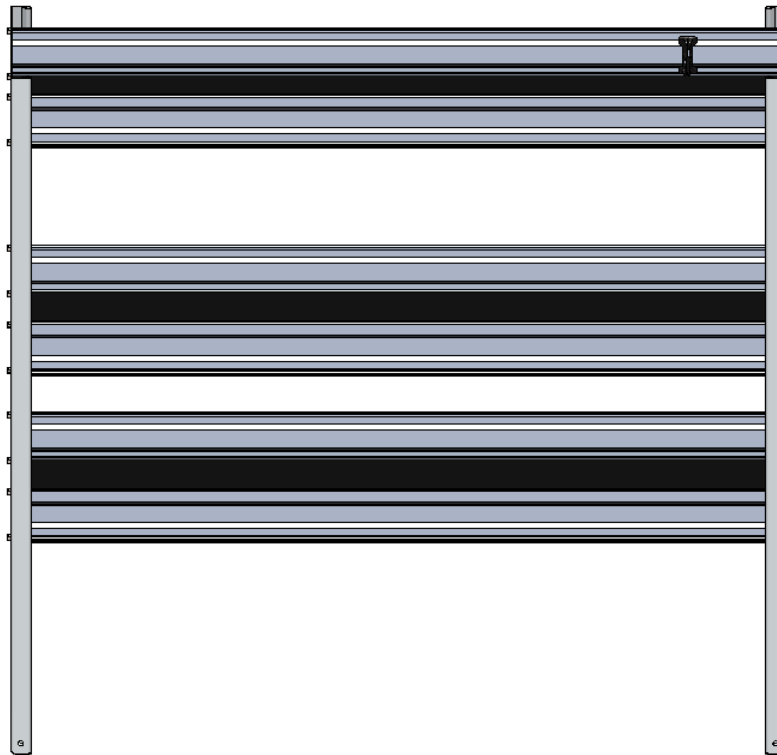
# PHASE 2 – INSTALLATION

## 2.1 SHELF DIVIDER & CLIPS INSTALLATION

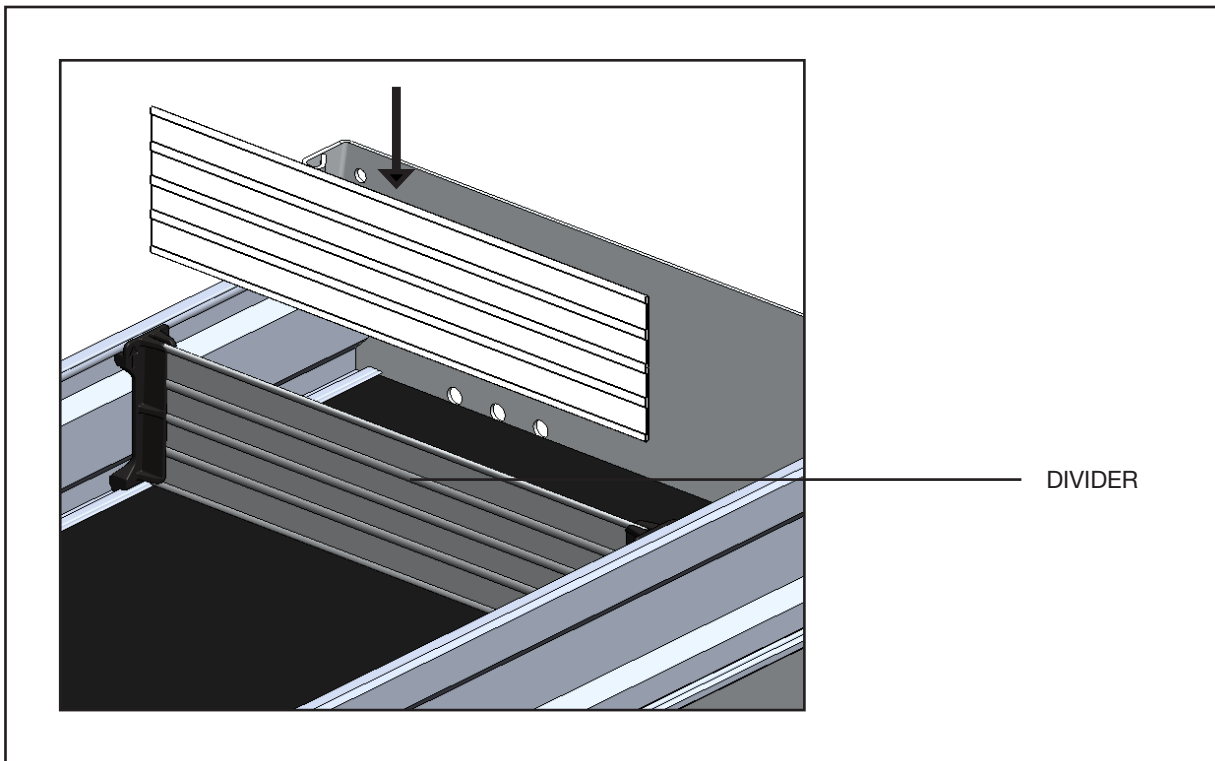
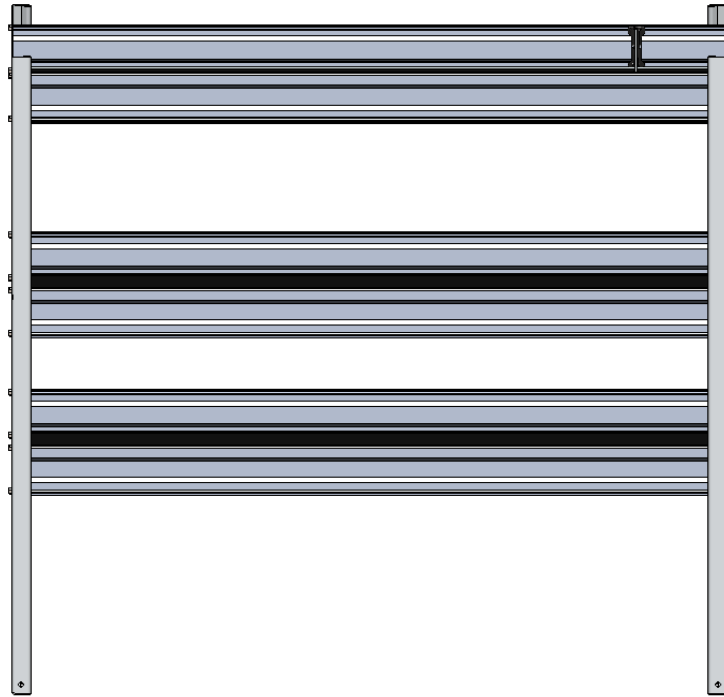
1.2.1 Attach the divider clips to the extrusions.



1.2.2 Use the divider as a guide, then attach the other clip by following the same step on **Page 4**.



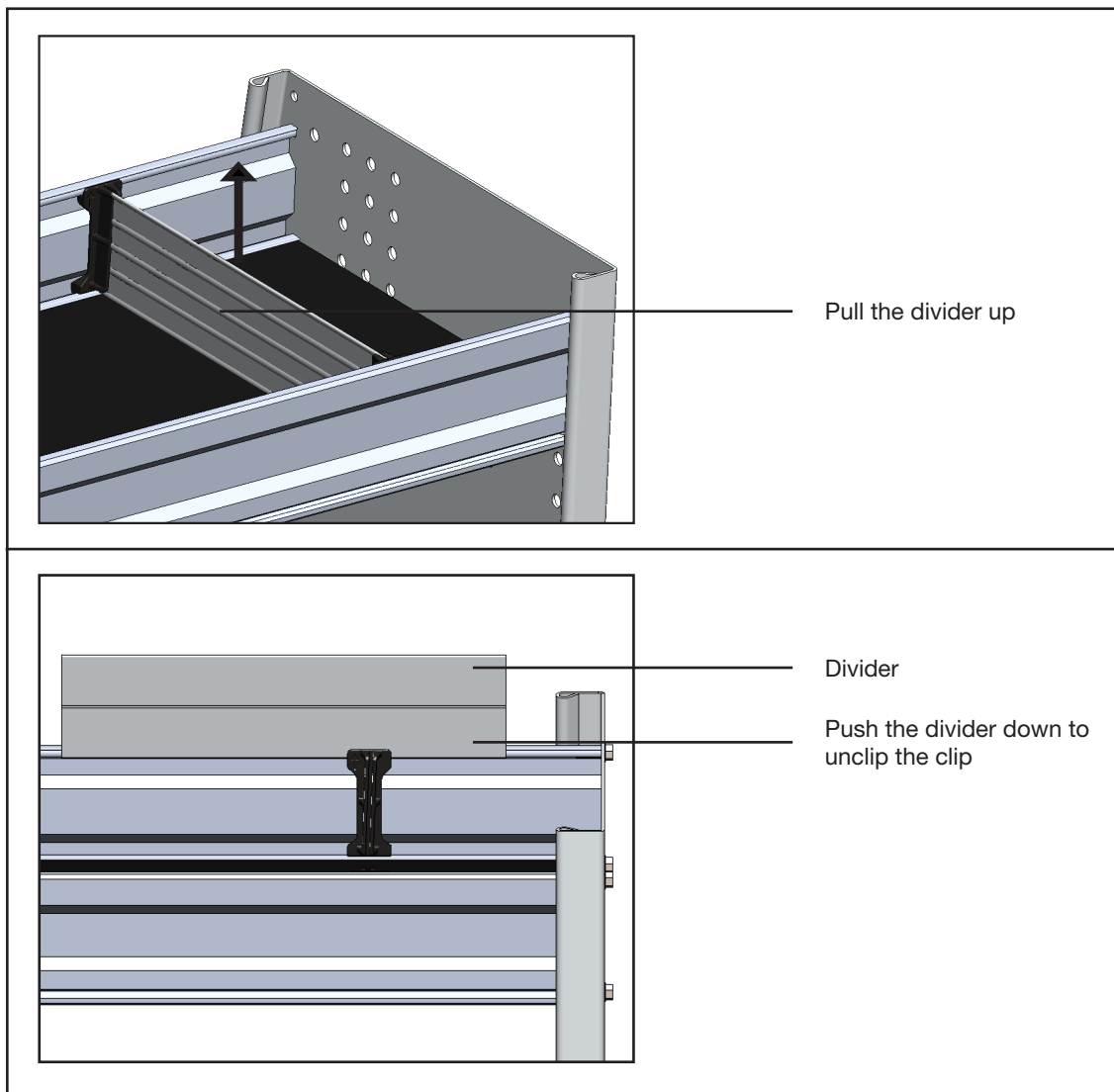
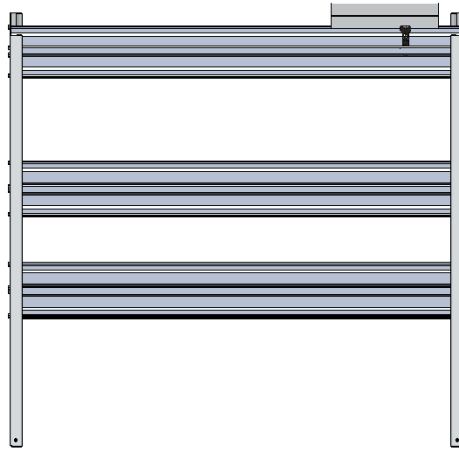
1.2.3 After attaching the clips, slide the both ends of the divider to the clips.



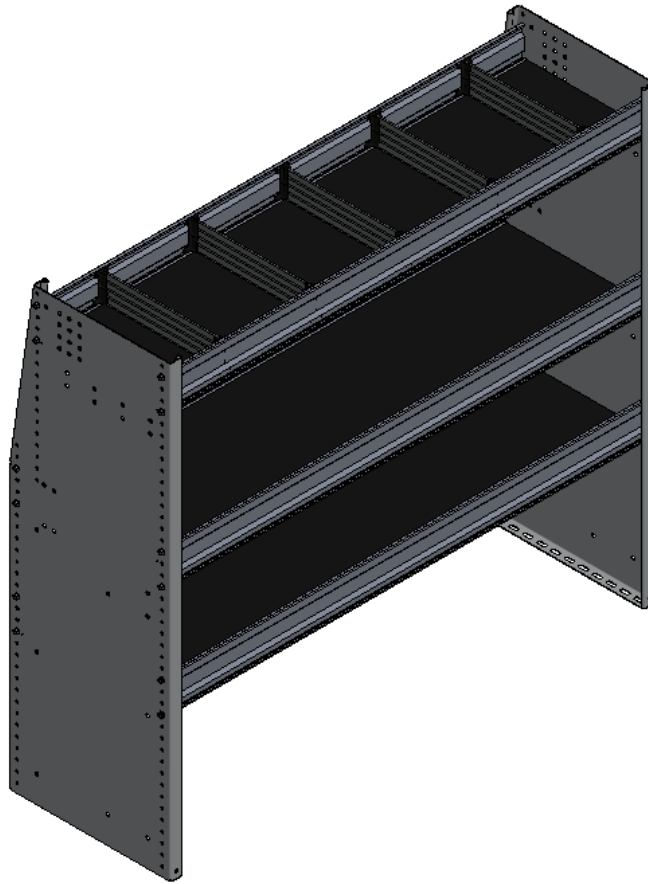
# PHASE 2 – INSTALLATION

## 2.2 HOW TO REMOVE SHELF DIVIDER & CLIPS

2.2.1 Remove the divider then use the divider to unclip the clips.



You can watch our installation video on the Ranger Design website.



**“You have successfully installed your  
62-UDR18**

**Thank you for doing business with us.”**

For any feedback or suggestions you may have, please contact: [cs@rangerdesign.com](mailto:cs@rangerdesign.com)

