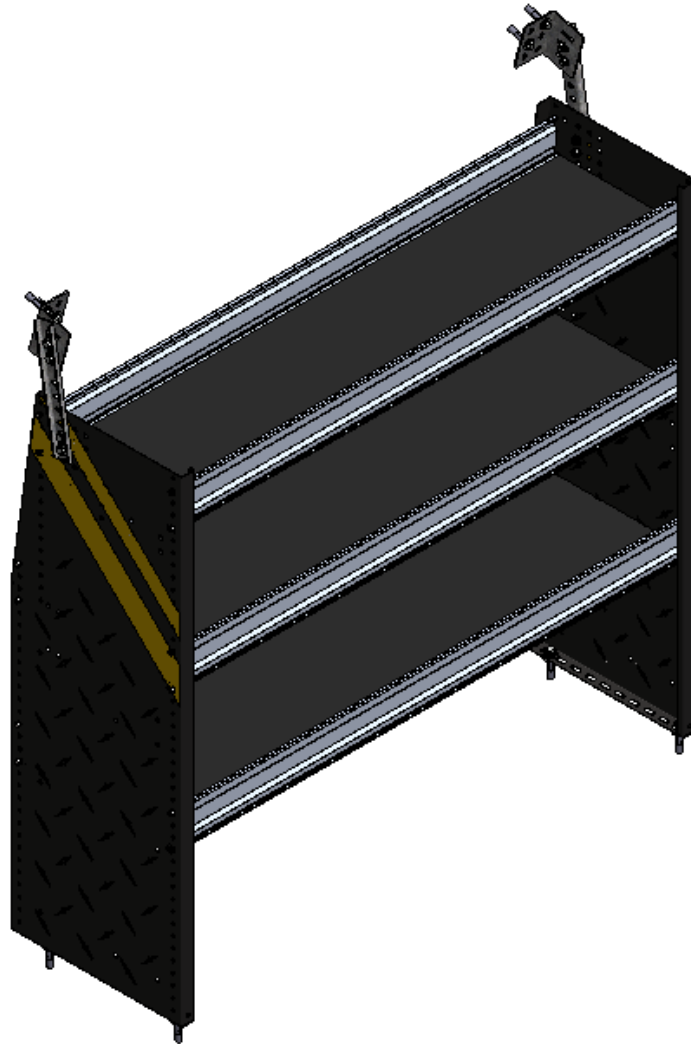


# INSTALLATION GUIDE



## **N4-RS36-3 Shelving ( STEEL )**

Transit Low Roof

Nissan NV Low Roof

GM Savana

Metris

Nissan NV200

City Express

**RANGER**  
DESIGN

# QUICK START GUIDE

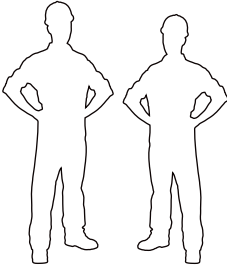
## Phase 1 - Assembly

- 1.1 Setup..... 3 - 4
- 1.2 Shelf Assembly..... 5 - 6

## Phase 2 - Installation

- 2.1 Attach Wall Brackets To The End Panels..... 7
- 2.2 Mark Holes For Plus Nuts..... 8
- 2.3 Attach Plus Nut..... 9 - 10
- 2.4 Attach Shelf Unit To the Floor..... 11 - 12
- 2.5 Attach Wall Brackets..... 13 - 14

# REQUIRED ITEMS



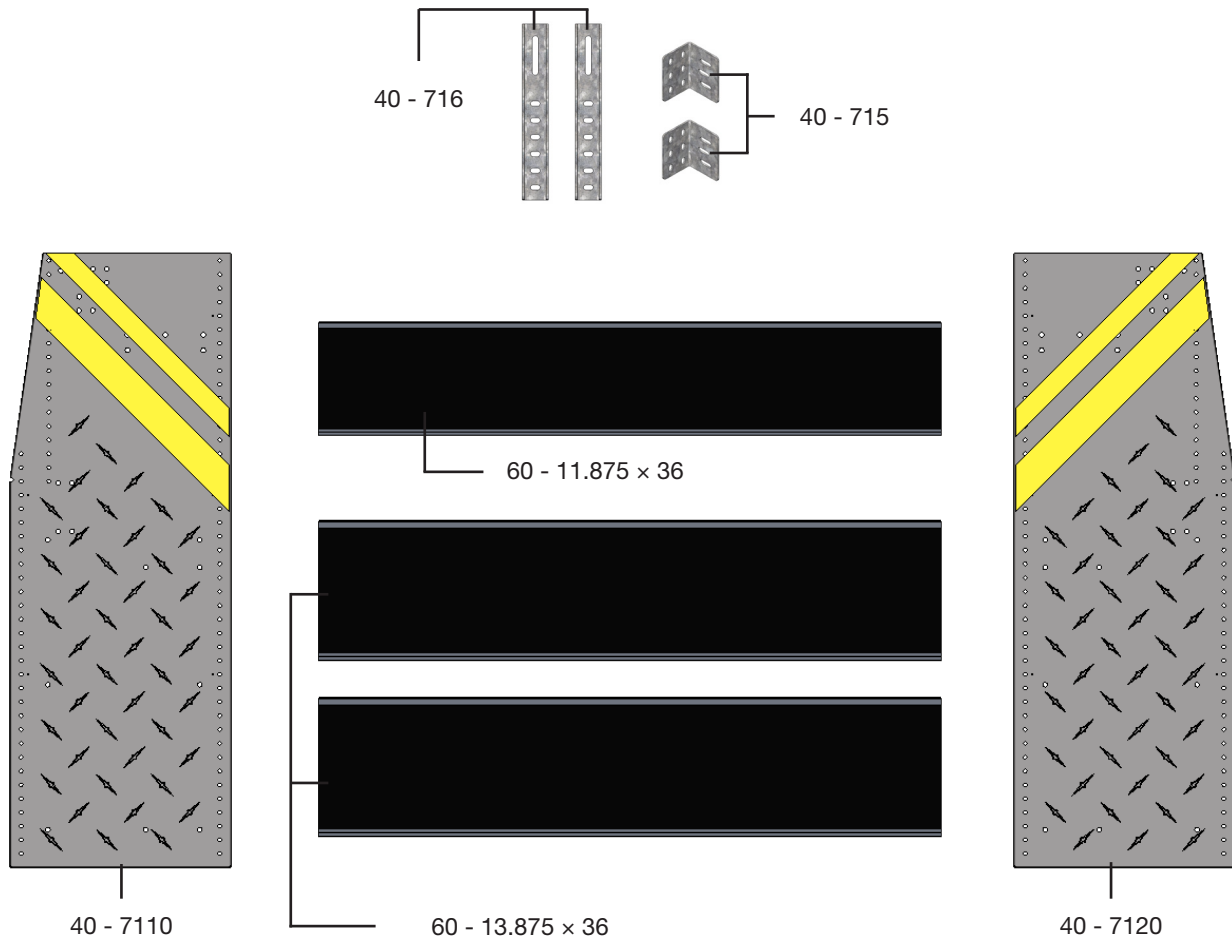
**2**  
**PERSONS**

- Cordless Impact
- Cordless Drill
- Tape Measure
- Marker
- 1/2" Socket
- 1/2" Drill Bit w/ Drill Collar ( Set at 1/2" )
- 3/8" Driver Bit
- Knife
- Plusnut Tool / Plusnut Gun ( 5/16" )

# PHASE 1 – ASSEMBLY

## 1.1 SETUP

1.1.1 Unpack components; compare with the bill of materials.



1.1.2 Verify all parts are present.

### BILL OF MATERIALS

Item No.	Description	Qty.
40 - 715	Bracket head	2
40 - 716	Bracket arm	2
40 - 7110	End Panel ( Left )	1
40 - 7120	End Panel ( Right )	1
60 - 11.875 x 36	Shelf Tray, Black Plywood, Usable 12" x 36"	1
60 - 13.875 x 36	Shelf Tray, Black Plywood, Usable 14" x 36"	2
94 - 4027	Assembly Fastener Kit	1
96 - 4027	Install Fastener Kit	1

1.1.3 Fastener kits.




94 - 4027 Fastener Kit




Fastener Assembly

- 8x  # 90-204 Hex Bolt  
5/16"-18 x 3/4"  
GR-5 ZINC
- 24x  # 92-102 Screw HWH  
#14 x 1"  
ZINC
- 8x  # 94-116 Serrated Nut  
5/16"-18  
ZINC
- 8x  # 98-116 Flat Washer  
5/16" - 18 x 1"  
ZINC

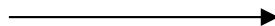
8x

 #90-204 Hex Bolt 5/16" x 3/4"  
 #98-116 Flat Washer  
 #94-116 Serrated Nut


24x

 #92-102 Screw #14 x 1"

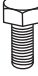



96 - 4027 Fastener Kit








Fastener Assembly

- 8x  # 90-212 Hex Bolt  
5/16"-18 x 1-1/4"  
GR-5 ZINC
- 8x  # 94-132 Plusnut
- 8x  # 98-116 Flat Washer  
5/16", O.D. 7/8"  
ZINC
- 8x  # 98-122 Lock Washer  
5/16"  
ZINC
- 4x  # 98-157 Spacer  
0.375" ID, x 1.0" OD x 0.25" LONG  
NYLON

4x

 #90-212 Hex Bolt 5/16" x 1-1/4"  
 #98-122 Lock Washer  
 #98-116 Flat Washer  
 #94-132 5/16" Plusnut

4x

 #90-212 Hex Bolt 5/16" x 1-1/4"  
 #98-122 Lock Washer  
 #98-116 Flat Washer  
 #98-157 Spacers  
 ( QTY = GAP BETWEEN FLOOR AND END PANEL )  
 #94-132 5/16" Plusnut

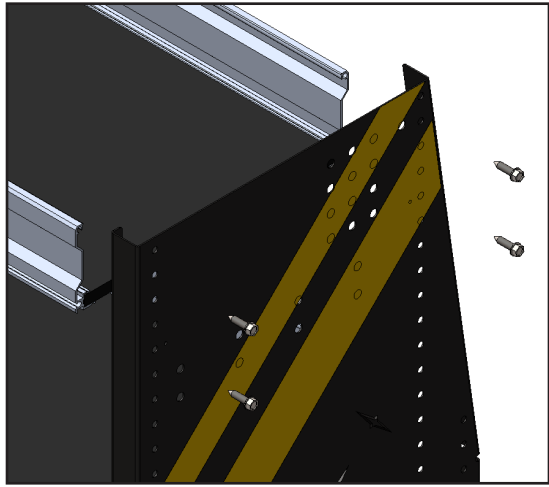
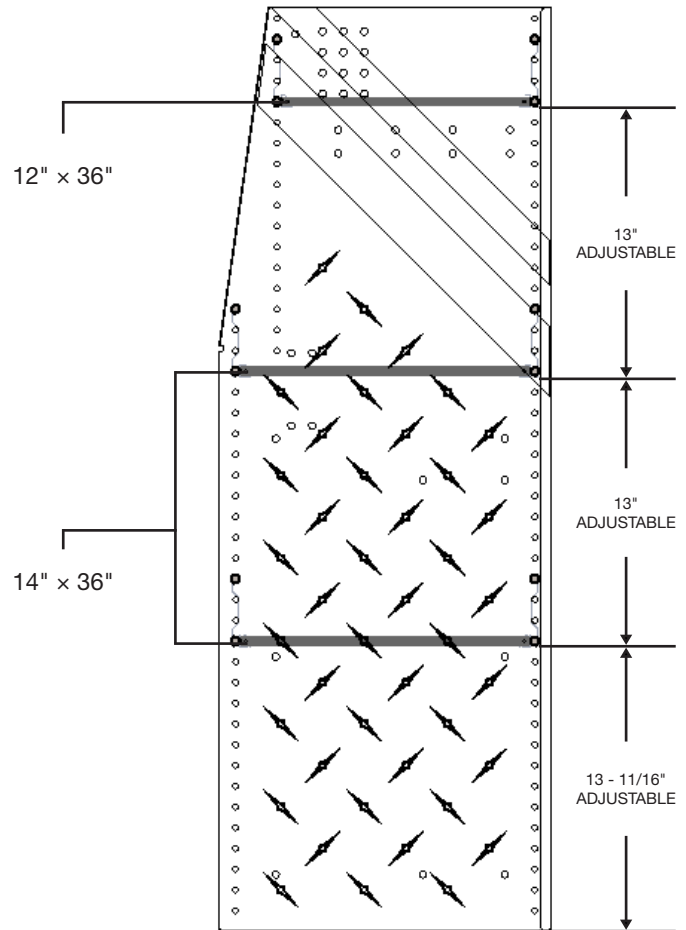
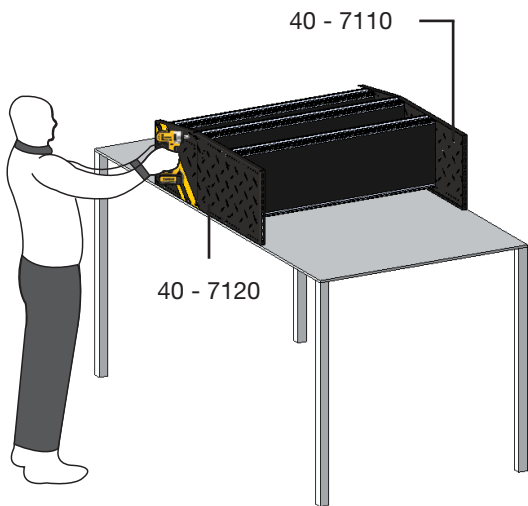
# PHASE 1 – ASSEMBLY

## 1.2 SHELF ASSEMBLY

1.2.1 Attach both panels to the shelf trays.

**NOTE:** You can adjust the bottom shelf location to maximize or minimize your space over the wheel.

**IMPORTANT:** Always handle panels on a smooth, protected and clean surface to avoid unnecessary scratching.




**TOOLS**

- Cordless Impact
- 3/8" Driver Bit

**HARDWARE USED**

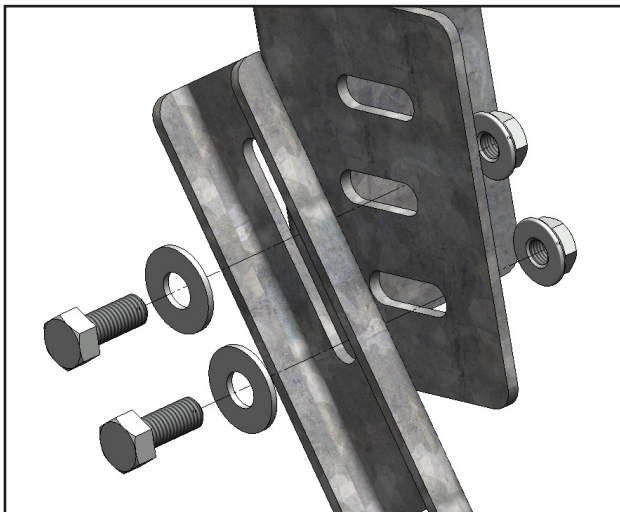
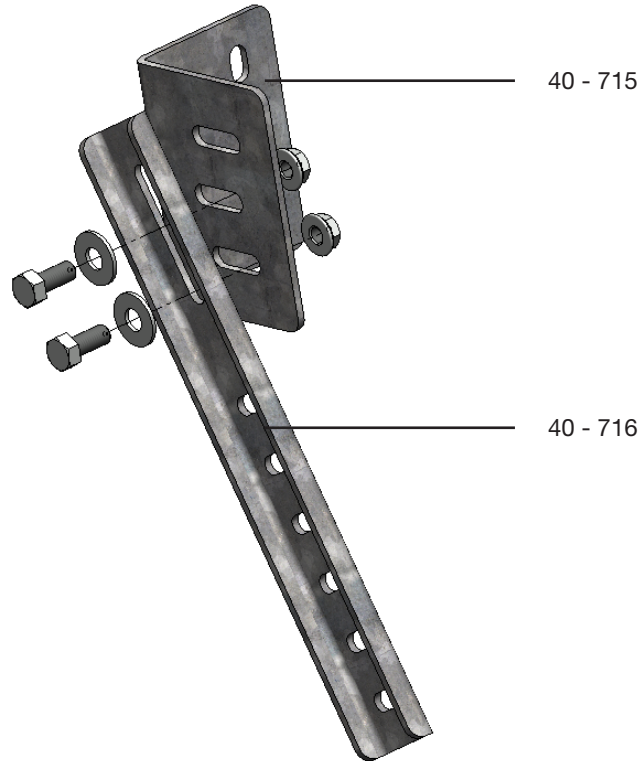
**24x**

 #92-102 Screw #14 x 1"

1.2.2 Attach the bracket head to the bracket arm.

**NOTE:** Hand-tighten the bolts for adjustment.

**2x**






**TOOLS**

- Cordless Impact
- 1/2" Socket

**HARDWARE USED**

**4x** HAND-TIGHTEN THE BOLTS

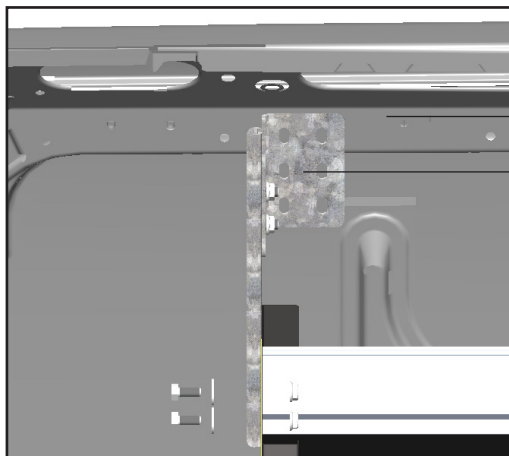
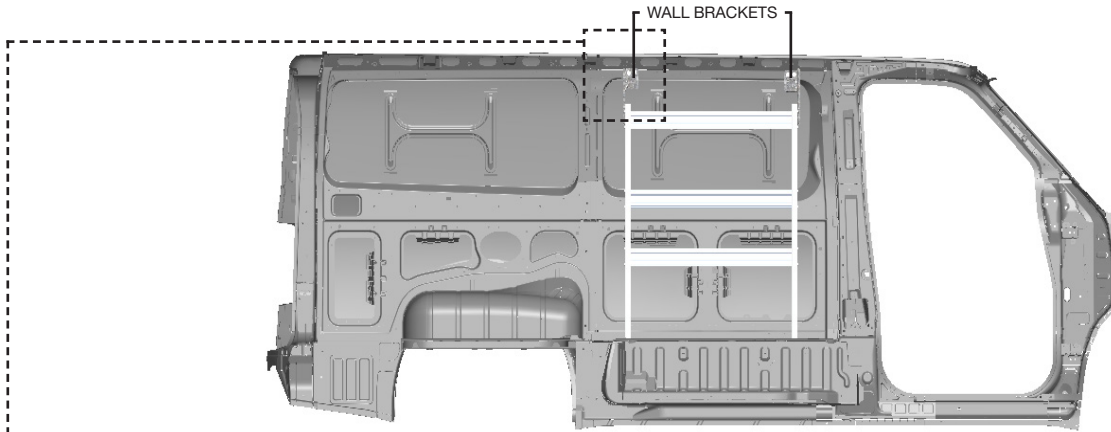
- |  |                               |
|--|-------------------------------|
|  | #90-204 Hex Bolt 5/16" x 3/4" |
|  | #98-116 Flat Washer           |
|  | #94-116 Serrated Nut          |

# PHASE 2 – INSTALLATION

## 2.1 ATTACH WALL BRACKETS TO THE END PANELS

- 2.1.1 • Lift the assembled shelf to the vehicle, then put it in place.
  - Attach the bracket arm to the panels aligning the brackets head to the horizontal rim of the vehicle.

**NOTE:** Handle with care.



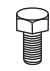


HORIZONTAL RIM  
BRACKET HEAD

### TOOLS

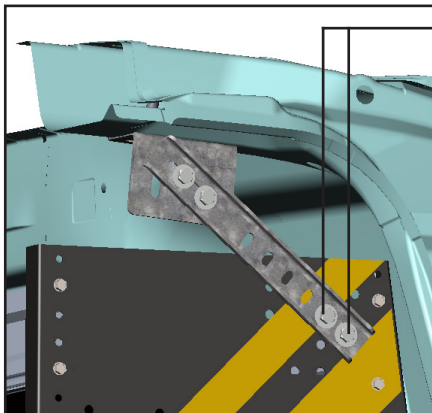
- Cordless Impact
- 1/2" Socket

### HARDWARE USED

**4x** HAND-TIGHTEN THE BOLTS

-  #90-204 Hex Bolt 5/16" x 3/4"
-  #98-116 Flat Washer
-  #94-116 Serrated Nut

FOR NV200 ONLY



Drill holes to the end panel, if the holes to the end panel are not line up.




For NV200 install the rear brackets as shown.

### TOOLS

- Cordless Impact
- 1/2" Socket

### HARDWARE USED

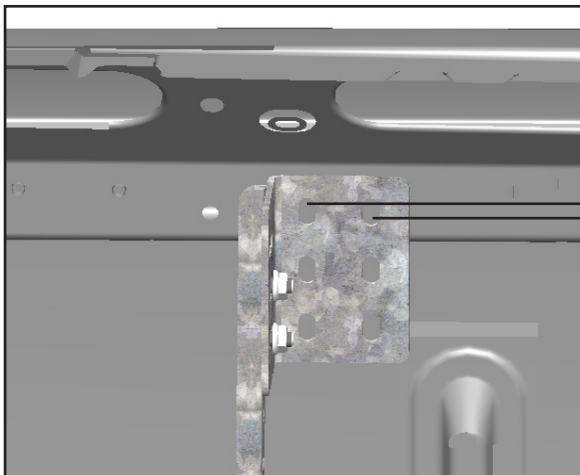
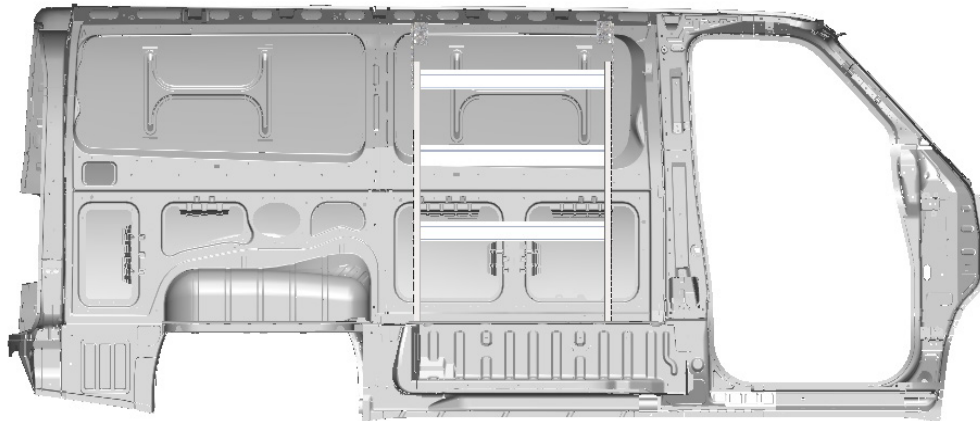
**4x** HAND-TIGHTEN THE BOLTS

-  #90-204 Hex Bolt 5/16" x 3/4"
-  #98-116 Flat Washer
-  #94-116 Serrated Nut

# PHASE 2 – INSTALLATION

## 2.2 MARK HOLES FOR PLUS NUTS

2.2.1 After attaching the brackets mark the holes on the brackets and end panels to the vehicle.



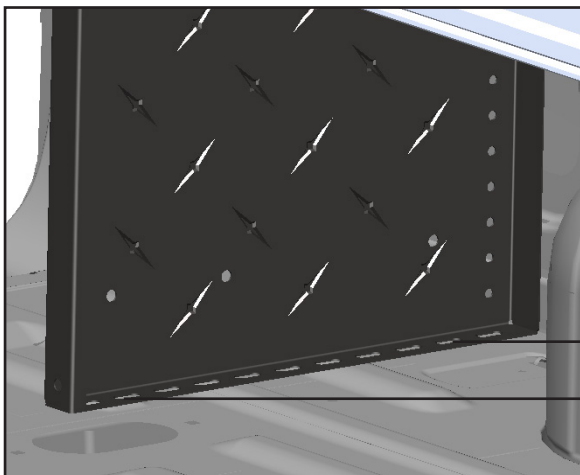
Mark 2 holes of the brackets head on the vehicle horizontal rim.

**NOTE:** If you are using Ranger wall kit, please go to **PAGE 14**.

**TOOLS**

- Marker

MARK



Mark 2 holes of each end panel on the vehicle floor.

**NOTE:** If you are using Ranger floor, please go to **PAGE 12**.

**TOOLS**

- Marker

MARK



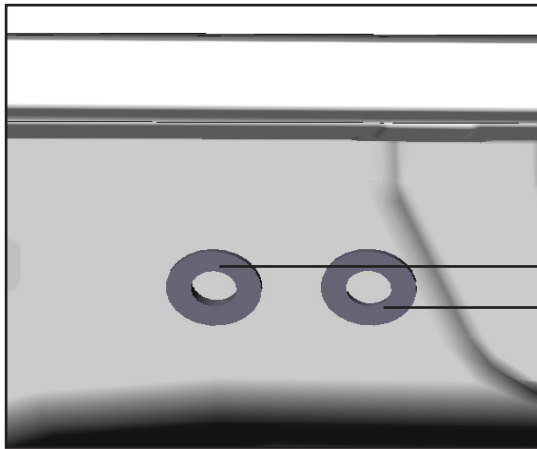
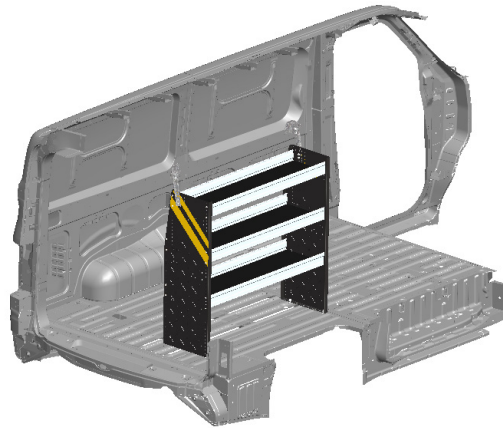
# PHASE 2 – INSTALLATION

## 2.3 ATTACH PLUS NUTS

- 2.3.1**
- Lift the assembled shelf on the side.
  - Drill all the marks using 1/2" drill bit w/ drill collar, then attach plus nuts to the holes.

**NOTE:** Use 1/2" drill bit with drill collar to stop drill at 1/2" depth.

**WARNING:** Before drilling, ensure that you will not hit any critical parts of the vehicle like the **Gas tank**, **Wiring Harness** and **Hose**.



### PLUSNUT

Drill all the marks then, attach plus nuts to the holes.

### TOOLS

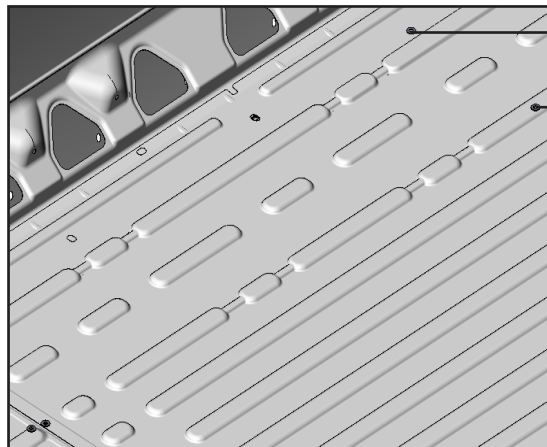
- Cordless Drill
- 1/2" Drill Bit w/ Drill Collar ( Set at 1/2" )
- Plus Nut Tool ( 5/16" )

### HARDWARE USED

**8x**



#94-132 Plus Nut

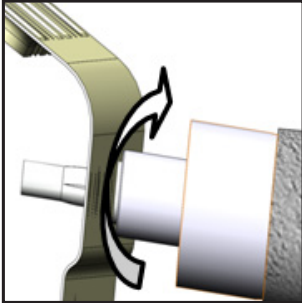


DRILL COLLAR  
( SET AT 1/2" )

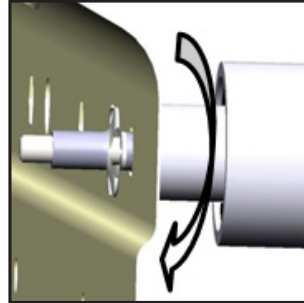
### 2.3.2 How to attach plus nut.

#### • USING PLUSNUT GUN

**STEP:** Put the plusnut on the plusnut gun, then attach the plus nut in the hole by turning the gun forward until the plus nut locks, then remove the gun by turning in reverse.



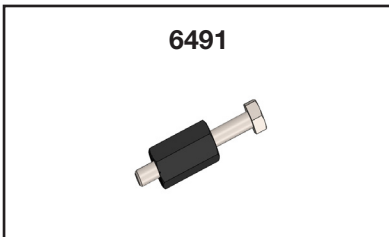
**FORWARD**



**REVERSE**



#### • USING THE 6491 PLUSNUT TOOL

**NOTE:** The hardware used for the 6490 plusnut tool is not included in the fastener bag.  
The 6490 plusnut tool can be ordered separately upon demand at no charge.



**6491**

#### HARDWARE USED

-  Flat washer 5/16"
-  Flat washer 5/16" BS x 7/8" OD

#### TOOLS

- Cordless Impact
- 1/2" Socket
- 9/16" Wrench

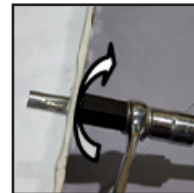
#### STEP 1:

Assemble the 6491 plusnut tool with the hardware needed, plus nut and the 9/16" wrench as shown.



#### STEP 2:

Attach the plus nut in the hole by turning the bolt forward using an impact with a 1/2" socket until the plusnut locks, then remove the bolt by turning the impact in reverse.



**FORWARD**



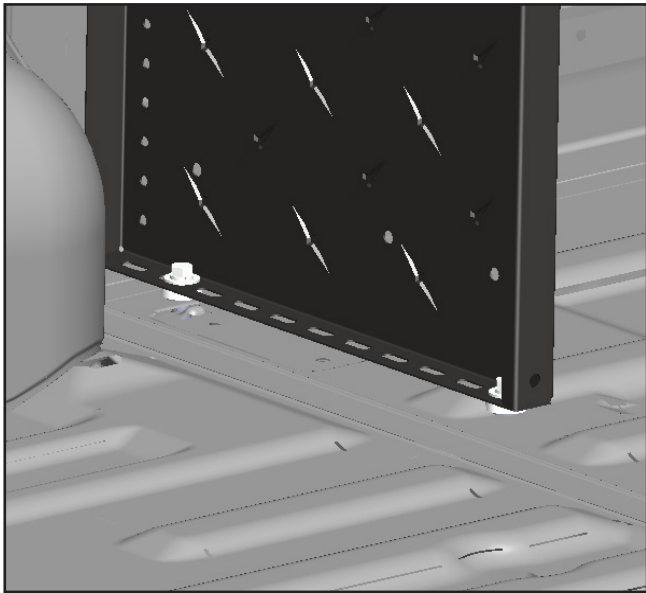
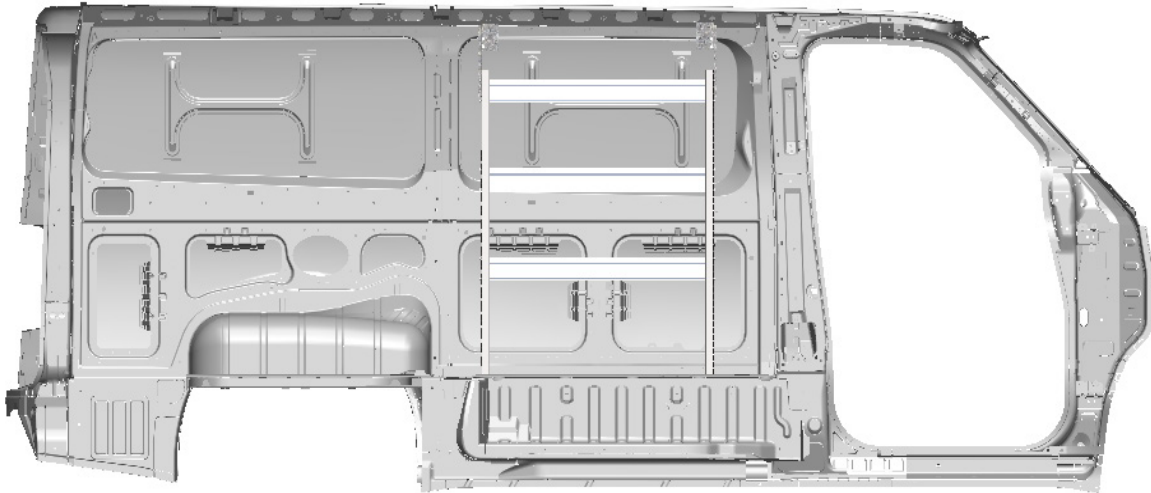
**REVERSE**

# PHASE 2 – INSTALLATION

## 2.4 ATTACH SHELF UNIT TO THE FLOOR

### WITHOUT RANGER FLOOR

2.4.1 Put the assembled shelf back in place aligning the holes to the plusnuts, then install the end panels to the plus nuts.








**TOOLS**

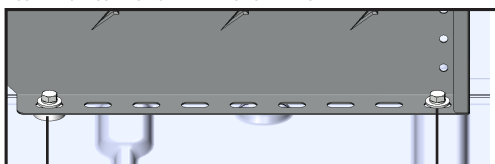
- Cordless Impact
- 1/2" Socket

**HARDWARE USED**

**4x**

	#90-212 Hex Bolt 5/16" x 1-1/4"
	#98-122 Lock Washer
	#98-116 Flat Washer
	#98-157 Spacers ( QTY = GAP BETWEEN FLOOR AND END PANEL )
	#94-132 5/16" Plusnut

MOST VEHICLE USE 1 SPACER WHEN NOT OVER RIBS

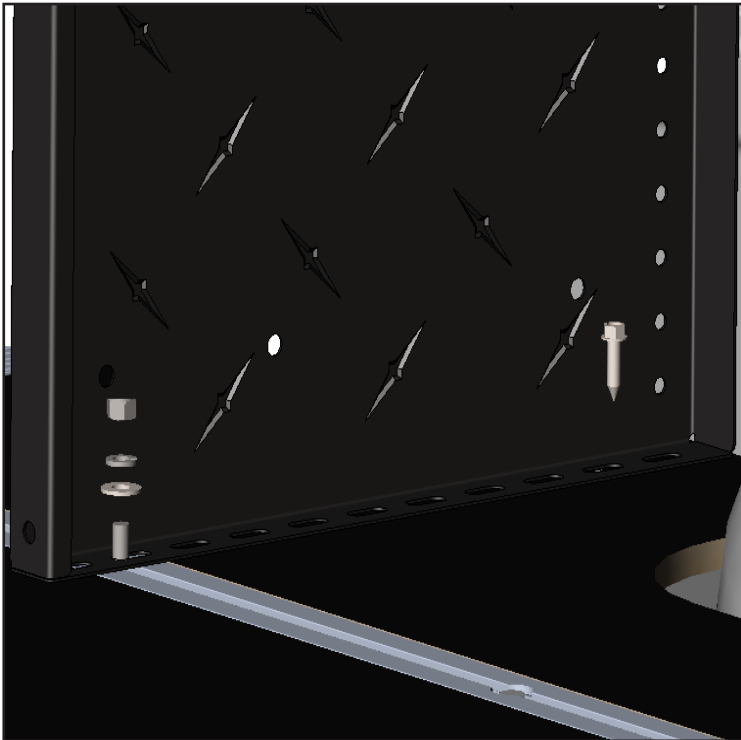
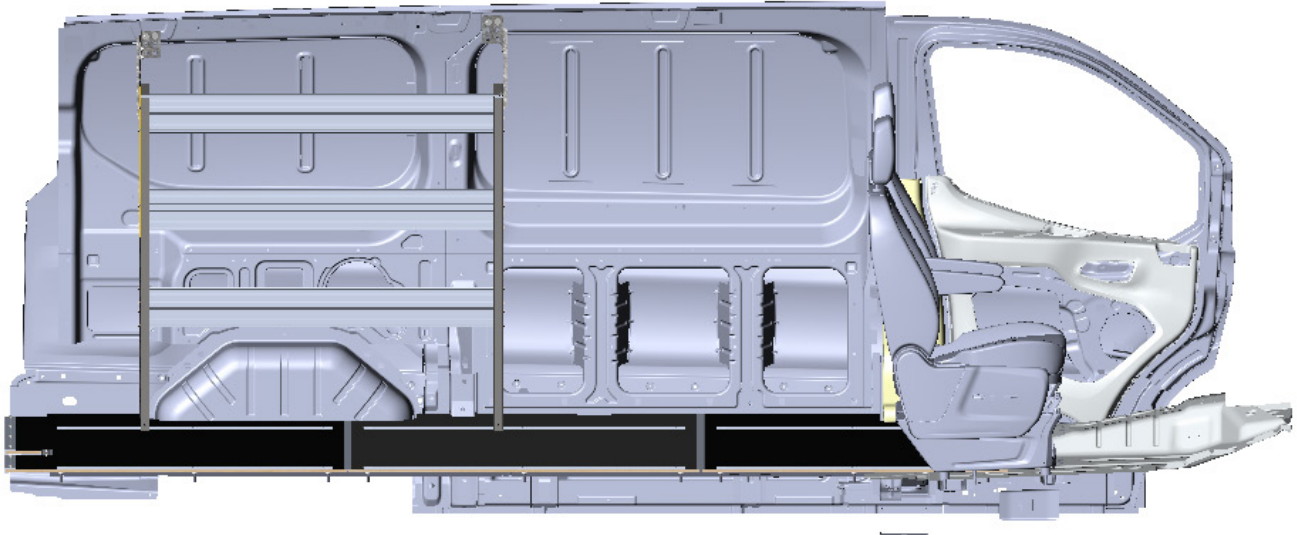


W/ Spacer

W/O Spacer

## WITH RANGER FLOOR

- 2.4.2 • Lift the shelving unit inside the van, then put it in place.  
• Install the shelving unit to the floor mounting track by sliding bolts in the mounting tracks, and putting screw in the last rear slot of the end panels of the shelving unit.



### TOOLS

- Cordless Impact
- 3/8" Driver Bit
- 1/2" Socket

### HARDWARE USED

**2x** FLOOR FASTENER KIT



#92-102 Screw 1"

### HARDWARE USED

**2x** FLOOR FASTENER KIT



#90-490 Carriage Bolt 5/16" x 1"



#98-116 Lock Washer



#98-122 Flat Washer



#94-104 Hex Nut

# PHASE 2 – INSTALLATION

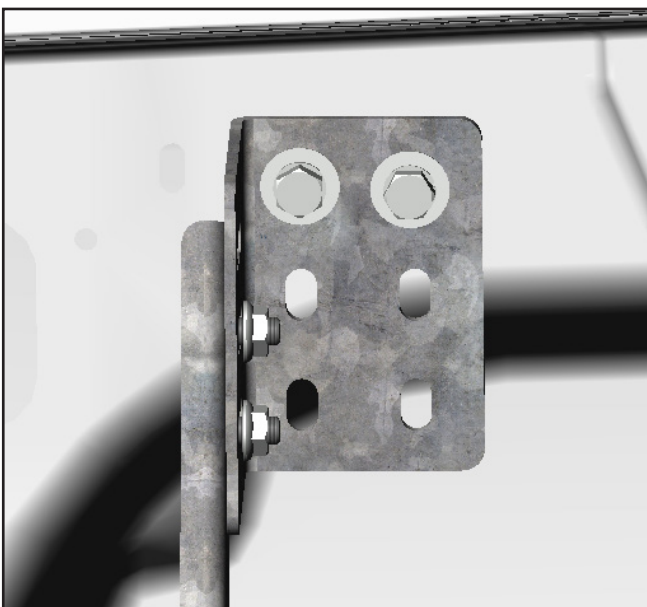
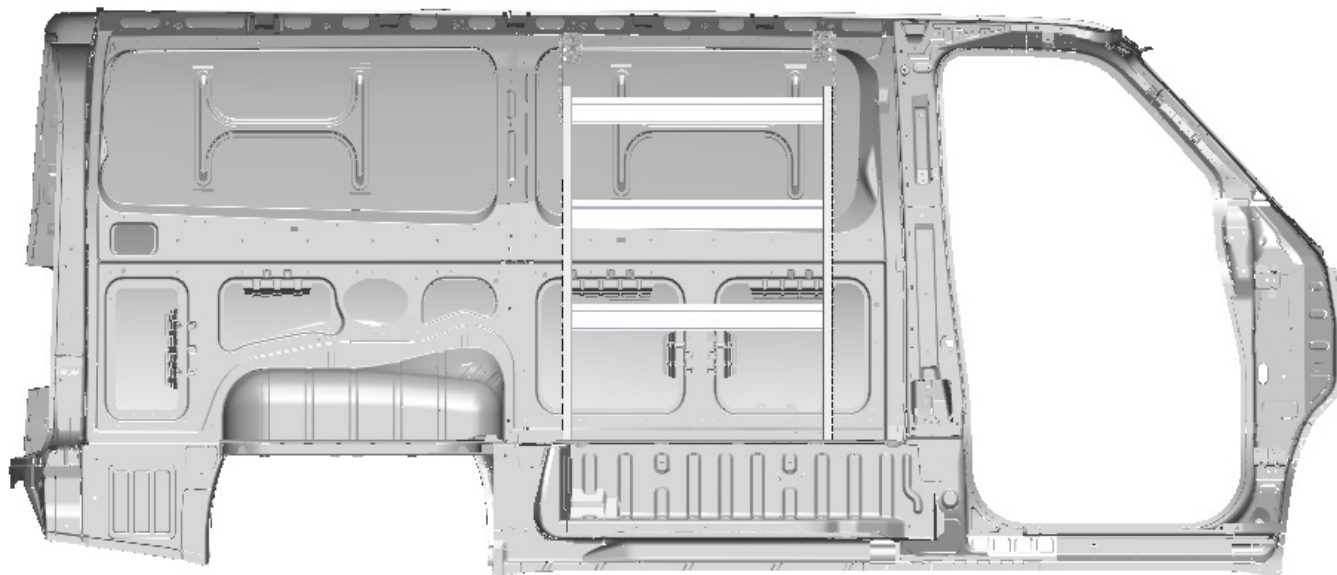
## 2.5 ATTACH WALL BRACKETS

### WITHOUT RANGER WALL KITS

2.5.1 Aligned the wall brackets to the plus nuts, then install the wall brackets to the wall.

**NOTE:** Tightened the bolts that used to attached the wall bracket to the wall or wall kits 1<sup>st</sup> before the bolts that used to attached the wall bracket to the end panel.

**IMPORTANT:** After installation is completed, ensure all bolts are tightened.



#### TOOLS

- Cordless Impact
- 1/2" Socket

#### HARDWARE USED

4x



#90-212 Hex Bolt 5/16" x 1-1/4"

#98-122 Lock Washer

#98-116 Flat Washer

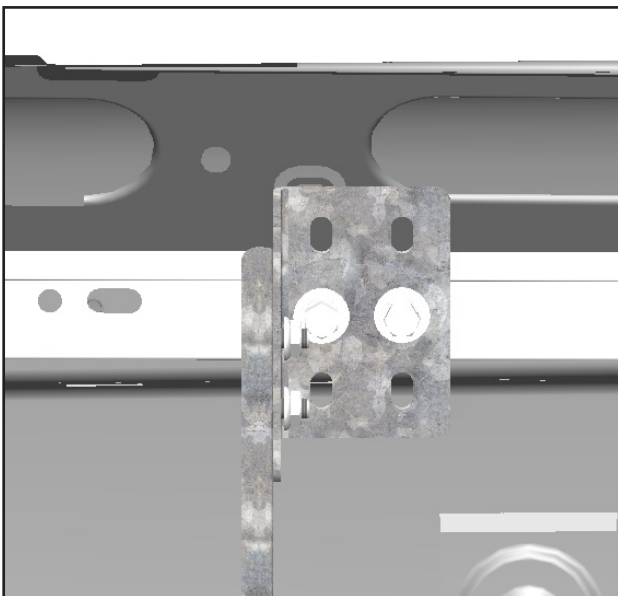
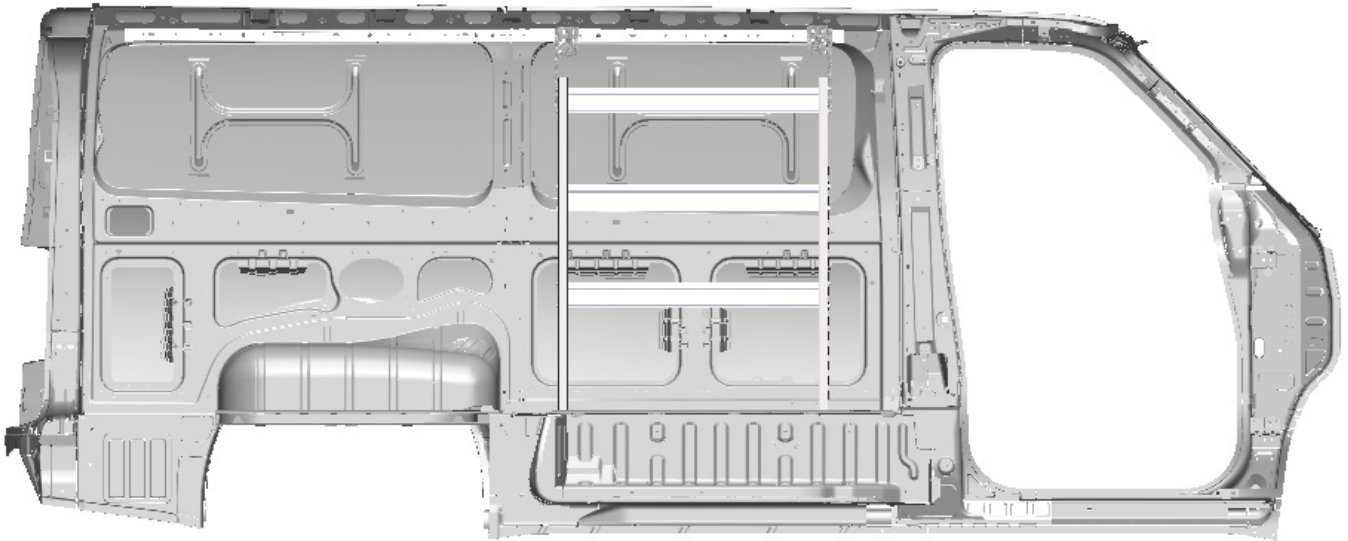
#94-132 5/16" Plusnut

## WITH RANGER WALL KITS

**2.5.2** Aligned the wall brackets to the wall mounting track kits, then install the wall brackets to the wall mounting track kits using channel nuts.

**NOTE:** Tightened the bolts that used to attached the wall bracket to the wall or wall kits 1<sup>st</sup> before the bolts that used to attached the wall bracket to the end panel.

**IMPORTANT:** After installation is completed, ensure all bolts are tightened.



### TOOLS

- Cordless Impact
- 1/2" Socket

### FASTENERS USED

**4x** WALL KITS FASTENER KIT



#90-212 Hex Bolt 5/16" x 1-1/4"



#98-122 Lock Washer

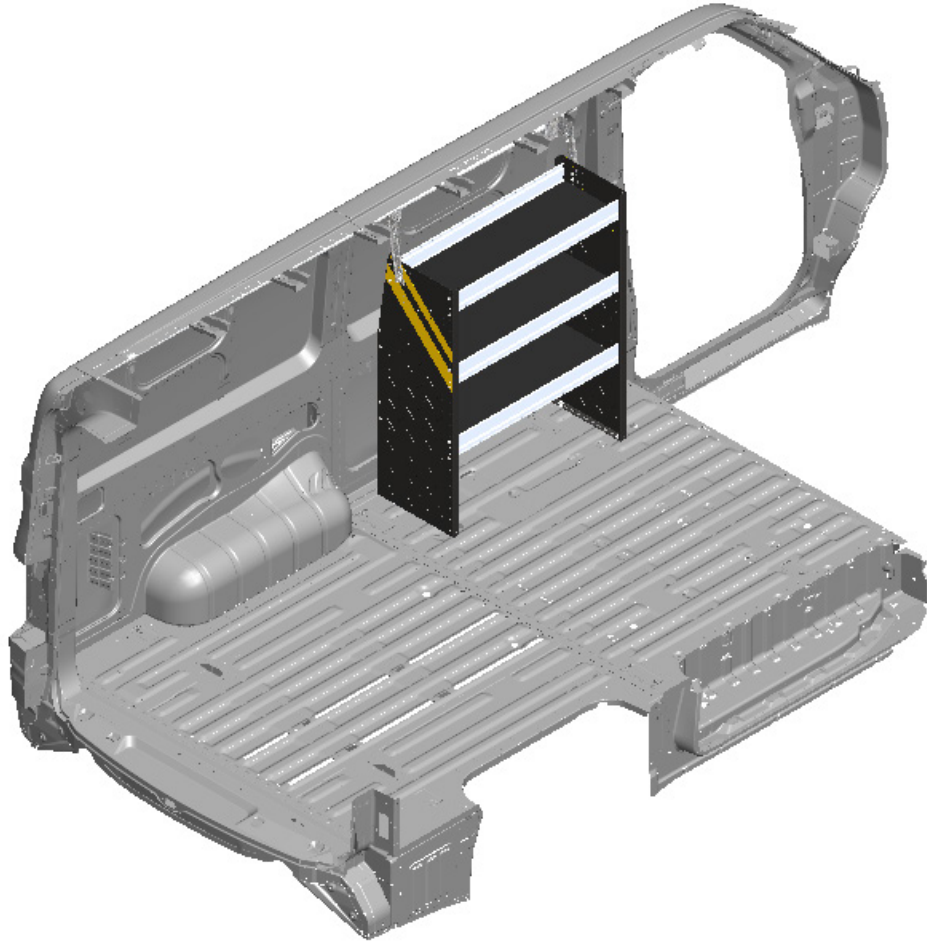


#98-116 Flat Washer



#94-150 Channel Nut





**“You have successfully installed your  
N4-RS36-3**

**Thank you for doing business with us.”**

For any feedback or suggestions you may have, please contact: [cs@rangerdesign.com](mailto:cs@rangerdesign.com)

